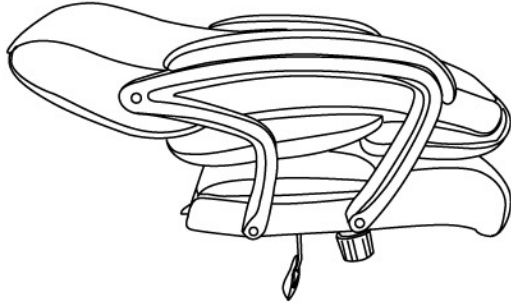


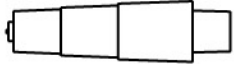
MODEL : B8701

(1)x1



BACK & SEAT CUSHION, ARM, MECHANISM

(2)x1



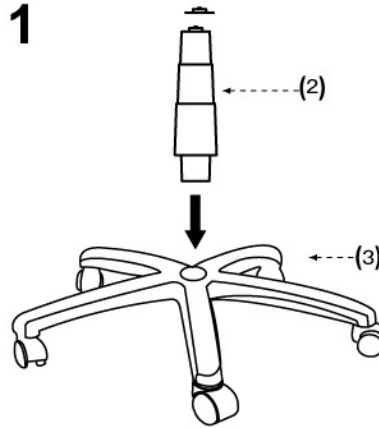
GAS LIFT

(3)x 1

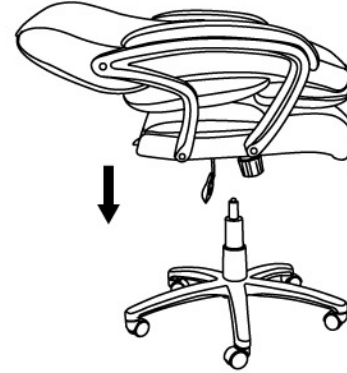


BASE & CASTERS

1



2



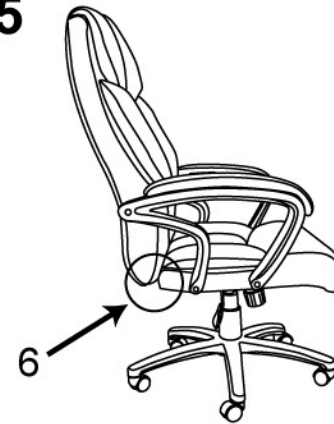
3



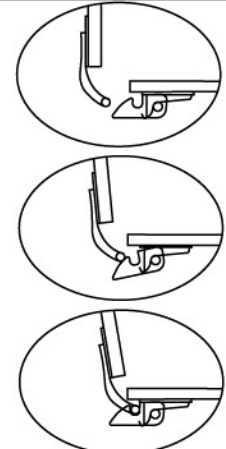
4



5



6



Customer Service Hotline: 1-800-593-1888
For further assembly instructions,
please visit our website at www.bosschair.com

This chair is only intended for sitting.
Any other use will void the warranty.

