

# ULTRA SERIES



Now with  
**Storage!**

- Fully-portable and non-electric system keeps food cold for hours with either ColdFest® crocks and pans or Buffet Camchillers®
- Easy care and unmatched durability
- All components are fully compliant with NSF requirements



**CAMBRO**  
TRUSTED FOR GENERATIONS™



[www.cambro.com](http://www.cambro.com)

# VERSA FOOD SERVICE SYSTEM *ULTRA SERIES*

Countless configurations to fit any food service need.

Now available with two secure storage cabinets that can each hold up to 50 lbs (22,6 kg) of non-perishable items.

Add an End Table to a Versa Food Bar or Work Table to hold trays, plates or condiments.

## Versa Food Bar® *Ultra Series*

- Use as a salad bar, breakfast bar, snack station or an additional serving line.
- Set-up or knock-down the sneeze guard and tray rails in seconds for easy transport or storage!
- Versa Food Bar easily fits through a standard 36" (91,5 cm) doorway with the sneeze guards and optional tray rails knocked down.
- Preferred Salad Bar of:

United Fresh Produce Association's *A Salad Bar in Every School™*  
*Let's Move Salad Bars to Schools* Campaign

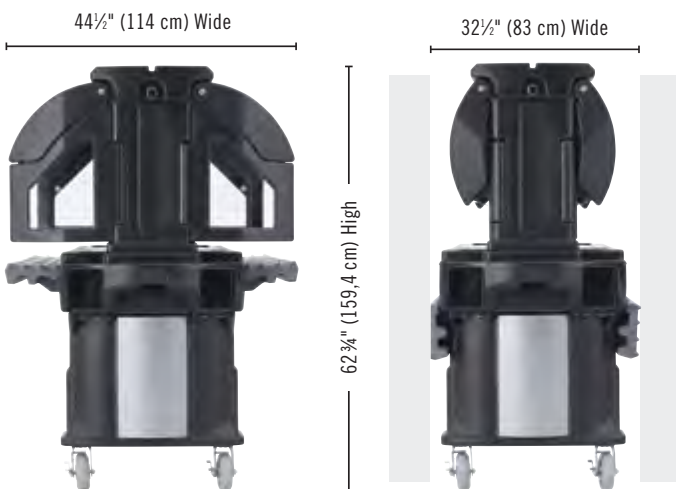


## Versa Work Table *Ultra Series*

- Perfect for a prep table, display station, self-serve station or back bar.
- Attach a Work Table to a Food Bar to merchandise snacks and beverages.



Storage dimensions:  
18"H x 17½"W x 21½"D  
per cabinet. Each cabinet  
is 3.92 cu. ft. (0,11 M³)



**InStock Color:** For Versa Food Bar, Versa Work Table, Versa Cart, Connectors and Well Cover.



110  
Black

**Made to Order Colors:** For Versa Food Bar, Versa Work Table, Versa Cart, Connectors, Well Cover, Tray Rail and End Table.



146

Bronze



158

Hot Red



186

Navy Blue



519

Kentucky Green

Made To Order Items Not Carried In Stock, Non-Returnable.

**Tray Rail and End Table Colors Only:**

**InStock Color**



191

Granite Gray



110

\*\*Black



614

\*\*Sandstone

\*\* Made to order colors. These must be ordered in increments of 2 each. (Minimum of 2 each).



## Build-A-System



### Versa Straight Connectors and Corner Connectors

Easily and safely attach multiple components together to create a connected system with a professional, uniform look. Maximize space and merchandising options. Use the connectors to join multiple Versa Food Bars, Versa Work Tables or a combination.

### Versa Food Bar® Lighting Package

Enhance your foodservice presentation with the LED lighting accessory. The light uses a 12 volt long-lasting battery, that charges with an universal charger.

### Versa Cart and Versa Cart Keyboard Tray

Join a Cart with a Food Bar or Work Table for fast check-out and improved traffic flow. The Cart includes an adjustable shelf, standard lockable drawer and convenient electrical access thru the top of the cart and front design panel. Optional tray rails easily adjust to a lower height. Optional pull-out keyboard tray fits inside the drawer.

## Versa Food Service System – Ultra Series

CODE	LENGTH	OVERALL EXTERIOR DIMENSIONS L x W* x H	FULL SIZE PAN CAPACITY	WELL INTERIOR DIMENSIONS L x W x H	CASE LBS. (CUBE)
<b>Versa Food Bars - Standard Height and Standard Casters</b>					
VBRU5	5' with Standard Casters and Storage	69" x 42½" x 62¾" (175,3 x 108 x 159,4 cm)	4	52¾" x 21" x 7⅞" (132,8 x 53,3 x 18 cm)	260 (58.5)
VBRUHD5	5' with Heavy Duty Casters and Storage	69" x 42½" x 62¾" (175,3 x 108 x 159,4 cm)	4	52¾" x 21" x 7⅞" (132,8 x 53,3 x 18 cm)	269 (58.5)
VBRU6	6' with Standard Casters and Storage	82" x 42½" x 62¾" (208,3 x 108 x 159,4 cm)	5	65⅞" x 21" x 7⅞" (165,4 x 53,3 x 18 cm)	274 (75)
VBRUHD6	6' with Heavy Duty Casters and Storage	82" x 42½" x 62¾" (208,3 x 108 x 159,4 cm)	5	65⅞" x 21" x 7⅞" (165,4 x 53,3 x 18 cm)	283.5 (75)
<b>Versa Work Tables - Standard Height and Standard Casters</b>					
VBRUT5	5' with Standard Casters and Storage	69" x 27" x 36¼" (175,3 x 69 x 92 cm)	4	52¾" x 21" x 7⅞" (132,8 x 53,3 x 18 cm)	181.5 (47.65)
VBRUTHD5	5' with Heavy Duty Casters and Storage	69" x 27" x 36¼" (175,3 x 69 x 92 cm)	4	52¾" x 21" x 7⅞" (132,8 x 53,3 x 18 cm)	190.5 (47.65)
VBRUT6	6' with Standard Casters and Storage	82" x 27" x 36¼" (208,3 x 69 x 92 cm)	5	65⅞" x 21" x 7⅞" (165,4 x 53,3 x 18 cm)	195.5 (55.96)
VBRUTHD6	6' with Heavy Duty Casters and Storage	82" x 27" x 36¼" (208,3 x 69 x 92 cm)	5	65⅞" x 21" x 7⅞" (165,4 x 53,3 x 18 cm)	204.5 (55.96)

Case Pack: 1 \*Width does not include optional tray rails.

# The Versa Food Service System

CODE	DESCRIPTION	OVERALL EXTERIOR DIMENSIONS W x D x H	CASE LBS. (CUBE)
<b>Versa Cart</b>			
VCSWR	With Dual Tray Rails and Standard Casters	52 $\frac{3}{4}$ " x 32" x 43" (134 x 81,2 x 109,2 cm) (With Tray Rails Up)	127 (37.28)
VCSWRHD	With Dual Tray Rails and Heavy Duty Casters	52 $\frac{3}{4}$ " x 32" x 43 $\frac{3}{4}$ " (134 x 81,2 x 109,2 cm) (With Tray Rails Up)	138.4 (37.28)
VCS	With Standard Casters and no Tray Rails	32 $\frac{1}{2}$ " x 32" x 43" (81,3 x 81,9 x 109,2 cm)	117.5 (37.28)
VCSHD	With Heavy Duty Casters and no Tray Rails	32 $\frac{1}{2}$ " x 32" x 43 $\frac{3}{4}$ " (81,3 x 81,9 x 109,2 cm)	128.8 (37.28)
<b>Tray Rails</b>			
VBRR5	Tray Rail for 5' - Versa Food Bar / Work Table	53" x 11 $\frac{1}{2}$ " x 4 $\frac{1}{16}$ " (134,6 x 29,2 x 11,6 cm)	12.66 (1.81)
VBRR6	Tray Rail for 6' - Versa Food Bar / Work Table	66" x 11 $\frac{1}{2}$ " x 4 $\frac{1}{16}$ " (167,6 x 29,2 x 11,6 cm)	15.57 (2.31)
VCS32R	Tray Rail for - Versa Cart	28" x 11 $\frac{1}{16}$ " x 5" (71 x 29,7 x 12,7 cm)	8.06 (1.09)
<b>End Table</b>			
VBRTBL	End Table For Versa Bars and Versa Tables	27" x 22" x 4 $\frac{1}{2}$ " (68,6 x 55,9 x 11,4 cm)	10 (1.05)
<b>Connectors</b>			
VBRC	Straight Connector - Food Bar to Food Bar	27" x 19" x 4 $\frac{1}{4}$ " (68,6 x 48,3 x 10,8 cm)	10.58 (1.46)
VBRC90	Corner Connector - Food Bar to Food Bar	36" x 36" x 4 $\frac{1}{4}$ " (91,4 x 91,4 x 10,8 cm)	21.26 (3.66)
VCS32CNT	Straight Connector - Cart to Standard Height Food Bar / Work Table	27" x 20 $\frac{3}{8}$ " x 3 $\frac{1}{4}$ " (68,6 x 51,8 x 8,3 cm)	10.75 (1.20)
VCSCNL	Straight Connector - Cart to Low Height Food Bar / Work Table	27" x 20 $\frac{3}{8}$ " x 8 $\frac{1}{2}$ " (68,6 x 51,8 x 21,6 cm)	14.62 (2.56)

**Case Pack: 1** Items shown highlighted in gray are in stock.

CODE	DESCRIPTION	OVERALL EXTERIOR DIMENSIONS L x W x H	CASE LBS. (CUBE)
<b>Vinyl Covers</b>			
VBRCVR5*	Versa Cover for 5' (152 cm) Bar	73" x 43 $\frac{1}{2}$ " x 46" (185,4 x 110,5 x 117 cm)	8 (0.25)
VBRCVR6*	Versa Cover for 6' (183 cm) Bar	83" x 43 $\frac{1}{2}$ " x 46" (211 x 110,5 x 117 cm)	9 (0.25)
VBRTCVR5*	Versa Cover for 5' (152 cm) Table	70" x 33 $\frac{1}{2}$ " x 21" (178 x 85,1 x 53,3 cm)	4 (0.25)
VBRTCVR6*	Versa Cover for 6' (183 cm) Table	83" x 33 $\frac{1}{2}$ " x 21" (211 x 85,1 x 53,3 cm)	5 (0.25)
VCSCVR*	Versa Cover for Cart	42" x 33" x 36" (106,7 x 84 x 91,4)	3.5 (0.25)

**Color:** Opaque (000). **Case Pack: 1**

## Merchandising

VBRSHTS*	Versa Food Bar® Sign Holder	36" x 6" x 9 $\frac{1}{4}$ " (91,4 x 15,2 x 23,5 cm)	9 (3.34)
----------	-----------------------------	--	----------

**Color:** Clear (152). **Case Pack: 1**

## Other Accessories

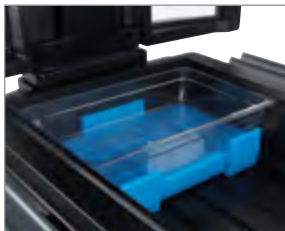
CPB1220	Buffet Camchiller®	18 $\frac{1}{2}$ " x 12 $\frac{1}{2}$ " x 4" (47 x 32 x 10,2 cm)	10.82 (0.62)
VBRWC	Versa Well Cover	20 $\frac{5}{8}$ " x 13" x 2" (53 x 33 x 5 cm)	3.72 (0.39)
VCS32KEYT	Versa Cart Keyboard Tray	20 $\frac{5}{8}$ " x 10 $\frac{1}{2}$ " x 2" (52,4 x 25,7 x 5 cm)	2.64 (0.39)
LED54LIGHTPKG*	LED Light Strip 54" Long with brackets, battery and wall charger	54" L (137 cm)	2.86 (0.57)

**Buffet Camchiller Color:** Cold Blue (159). **Well Cover Colors:** Black (110), Bronze (146), Hot Red (158), Navy Blue (186), Kentucky Green (519).

**Keyboard Tray Color:** Black (110). **Case Pack: 1** \* These items are not NSF listed. Items shown highlighted in gray are in stock.



For more information about Cambro products, contact your Distributor, Cambro Sales Representative or the Cambro Customer Service Department.



## Buffet Camchiller®

Extend safe, cold holding time without ice for up to 4 hours. Dual-sided Buffet Camchillers hold 2 $\frac{1}{2}$ " (6,5 cm) and 4" (10 cm) pans.

## Coldfest® Gastronorm Pans

Hold cold food at safe temperatures without ice for 4 hours or more.

## Camwear® Food Pans

Store, transport and serve all in one pan. Virtually unbreakable, crystal clear polycarbonate keeps contents as cold as metal pans with less condensation.



Telephone: (714) 848-1555 Toll Free: (800) 854-7631 FAX: (714) 842-4375 Customer Service: (800) 833-3003  
© Cambro Manufacturing Company 5801 Skylab Road, Huntington Beach, California 92647-2056  
LIT1433