

ADDITIONAL LOCKER ACCESSORIES



No.	Description
1	Filler Panel
2	Flat Top Filler
3	Sloping Top Filler
4	Flat Top Corner Filler
5	Sloping Top Corner Filler
6	Corner Angle
7	Filler Panel Frame
8	Flat Boxed End Panel
9	Sloping Boxed End Panel
10	Sloping Top
11	Single Tier Locker
12	Double Tier Locker
13	Triple Tier Locker
14	5-Tier Box Locker
15	6-Tier Box Locker
16	Duplex Locker
17	Combination Locker
18	16 Person Locker
19	Bench Top
20	Bench Pedestal
21	Coat Rod
22	Front Base
23	End Base
24	Hat Shelf
25	Recessed Handle
26	Corner Angle Filler

Tennsco makes every effort to ensure that all units ship complete with all parts and arrive undamaged. However, should your unit contain missing or damaged parts, replacements may be obtained directly from Tennsco. To obtain proper replacement parts, follow the instructions below: (or fill out the form at www.tennsco.com/replacement.cfm)

TO OBTAIN PROPER REPLACEMENT PARTS, PLEASE PROVIDE THE FOLLOWING INFORMATION:

- Model Number
- Description of part(s) needed and part number(s) as shown in Parts List (above)
- Color (i.e. Medium Grey, etc.)
- Purchase Date
- Your company name and contact person
- Who the product was purchased from
- Was item missing, or was it damaged?

If requesting parts by telephone, please have as much of the above information ready as possible.

This information may also be submitted online at www.tennsco.com/replacement.cfm

Tennsco Corp., P. O. Box 1888, Dickson, TN 37056-1888 Customer Service: (866) 446-8686 Fax: (800) 722-0134



ASSEMBLY INSTRUCTIONS & PARTS MANUAL #2671210

1-Wide Welded Locker Base

Models CLB-3612, CLB-3615, CLB-3618, CLB-4518, CLB-4521

Tennsco Corp., Dickson, TN 37056-1888 • (615) 446-8000

RETAIN INSTRUCTIONS FOR FUTURE REFERENCE!



GENERAL SAFETY INFORMATION

Some parts may have sharp edges. CARE must be taken when handling various pieces to avoid injury. For safety, wear a pair of work gloves when assembling or performing any maintenance on shelving.

LIMITED WARRANTY

Tennsco warrants goods purchased hereunder to be free of defects in materials and workmanship for a period of one (1) year from the date of shipment, hereunder. This warranty shall not apply in the event goods are damaged as a result of misuse, abuse, neglect, accident, improper application, modification or repair by persons not authorized by Seller, where goods are damaged during shipment, or where the date stamps on the goods have been defaced, modified or removed. UNLESS CONSIDERED UNENFORCEABLE OR UNLAWFUL UNDER APPLICABLE LAW:

- a. ALL IMPLIED WARRANTIES, INCLUDING BUT NOT LIMITED TO WARRANTIES OR MERCHANTABILITY AND FITNESS FOR A PARTICULAR PURPOSE ARE HEREBY EXCLUDED:
- b. BUYERS REMEDY, IF ANY, FOR ANY DEFECTIVE GOODS SHALL BE LIMITED TO A REFUND BY SELLER OR REPLACEMENT OF THE GOODS AT SELLER'S OPTION, AND SHALL IN NO EVENT INCLUDE DAMAGES OF ANY KIND, WHETHER INCIDENTAL, CONSEQUENTIAL OR OTHERWISE.

NO GOODS ACCEPTED FOR RETURN WITHOUT PRIOR APPROVAL. Seller shall have the right to inspect any goods claimed to be defective at Buyers place of business or require Buyer to return the goods to Seller for inspection on Seller's premises. Transportation charges covering returned goods will be borne by Seller only if such goods are proven to be defective, are covered by this warranty and are returned within the warranty period stated above.

TENNSCO CORP., P.O. BOX 1888, DICKSON, TN 37056-1888
(615) 446-8000 (800) 251-8184

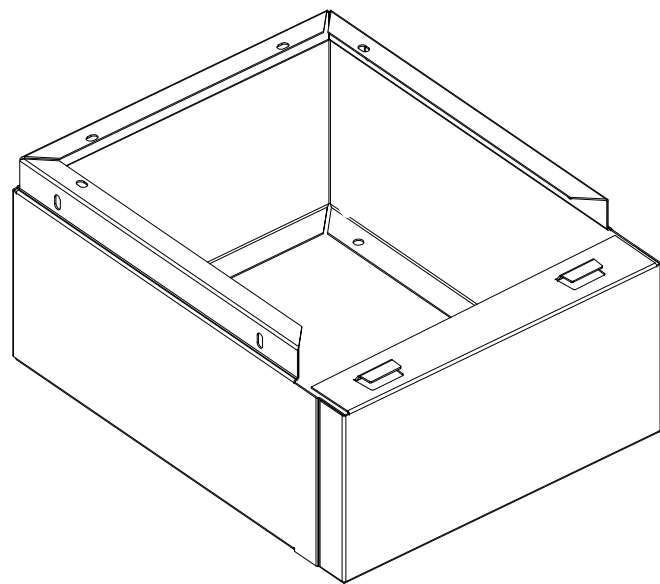
ATTACHMENT OF 1-WIDE WELDED LOCKER BASE

****LOCKERS MUST BE ANCHORED EITHER TO THE WALL, TO THE FLOOR, OR BACK-TO-BACK. (Check With Local Codes on Anchoring Procedures)****

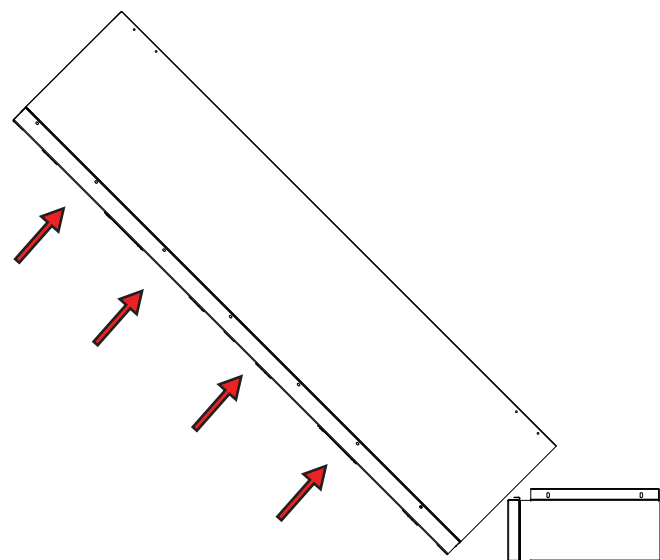
Requires two people for assembly. Approximate Assembly Time: 5 minutes.

When Anchoring Unit to the Floor:

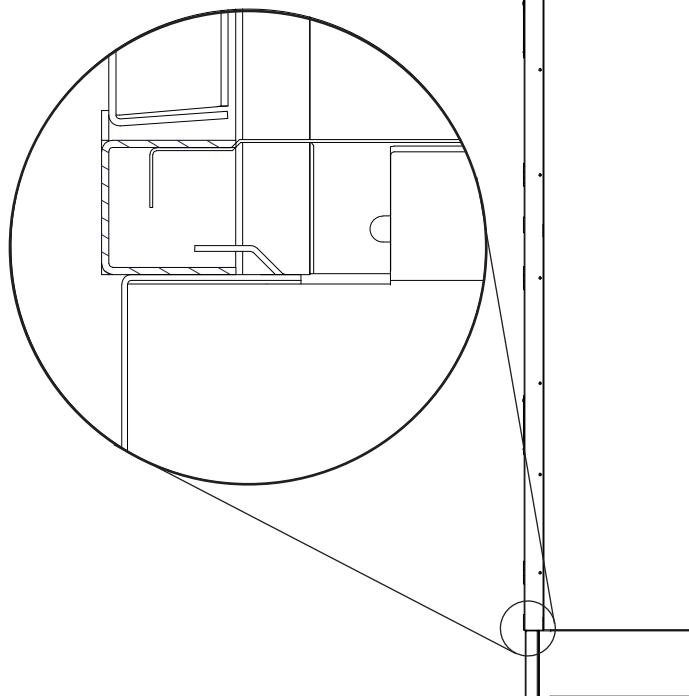
1. Securely mount the locker base to the floor. (Please use your local codes when mounting your unit. Codes may vary due to location.)



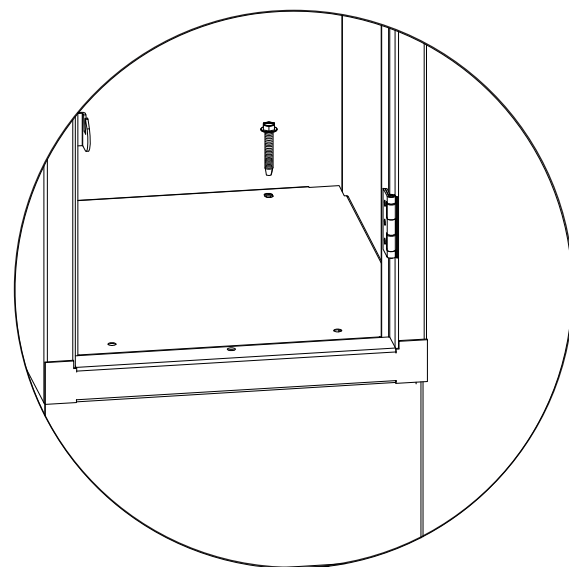
2. With help from an associate, lift the unit at an angle and lock the front part of the unit in to the flanges of the base.



3. In order to lock in the flanges, allow the front part of the unit to slip underneath the flanges on the base. Make sure that the unit is lined up with the base, with no excess sides hanging over the base.

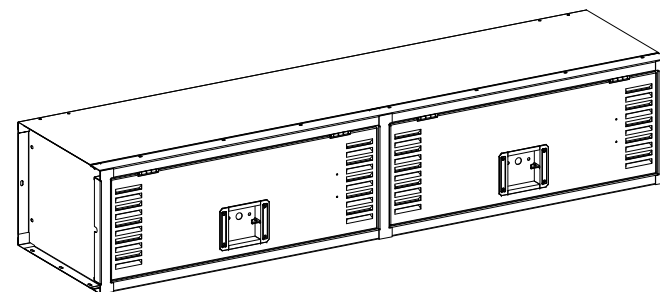


4. Bolt two tech screws through the bottom shelf of the locker.

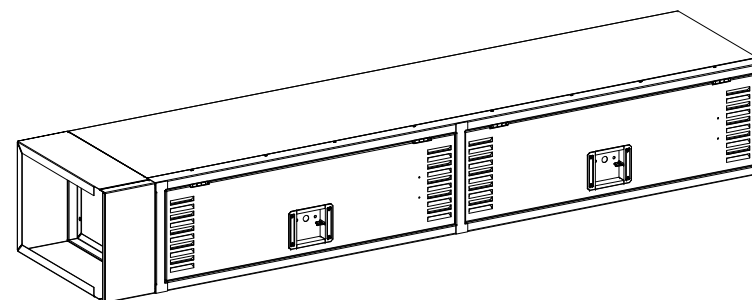


When Anchoring Unit to the Wall or Back-to-Back:

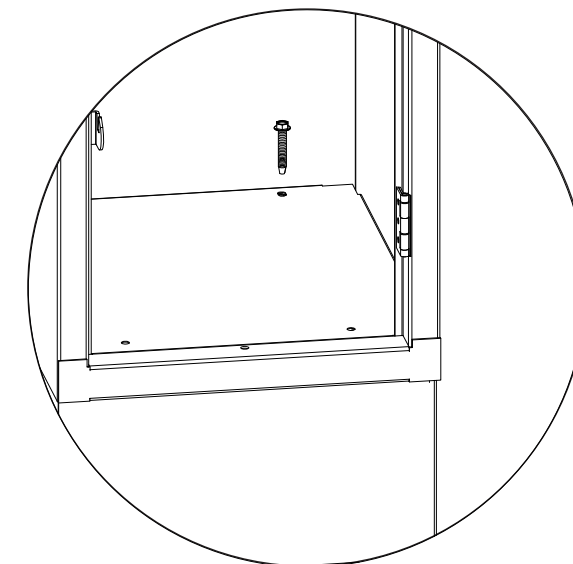
1. Lay the locker on it's side. Use a tarp or cloth as a surface to ensure that unit is not scratched.



2. Attach the base by sliding the base over top of the flanges on the bottom part of the unit to lock it in to place.



3. Bolt two tech screws through the bottom shelf of the locker.



4. With help from an associate, lift the locker to the initial upright position.

