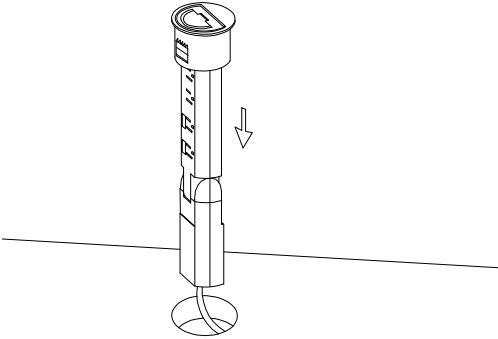
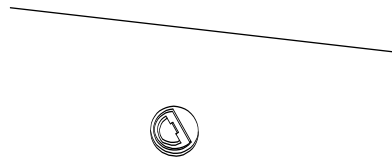


# 66666

## Pop Up Grommet Outlet with USB Charger

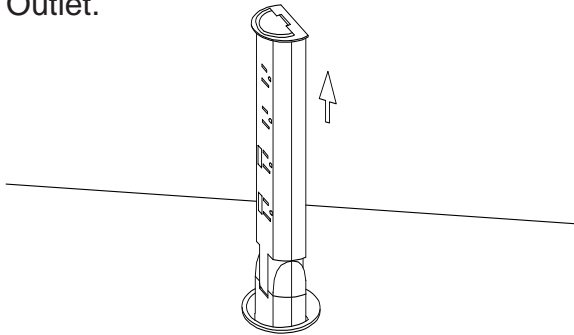


Step 1  
Place Outlet into 60mm hole.

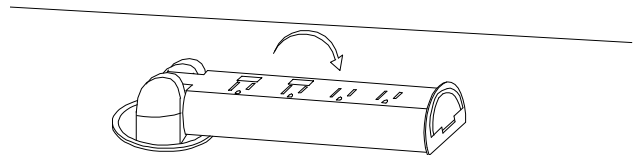


Step 2  
Lower the Outlet when  
not in use.

Step 3  
Use the Pull Ring to lift the  
Outlet.



Step 4  
Fold the Outlet over before  
using.



### SPECIFICATIONS

UL/cUL Listed

Requires 60mm hole for table top's grommet

Four AC outlets

Two USB ports

AC Cord: 10' long, 14 AWGx3-wire

NEMA5-15P plug-3 prong

15 Amp sliding switch/reset breaker

Red LED surge indicator

Electrical rating: 12 A, 125V, 50/60Hz

Voltage Protection Rating: L-N 400V, L-G 500V, N-G 500V

Surge Joule Rating: 2,100 Joules

Max Spike Current: 75,000A

EMI/RFI Noise Filtration: 150kHz~100MHz up to 37dB reduction

USB Output: 5V/2.1A max total