

## Stand Up Top • Instructions

TSUBK2313, TSUDK3623, TSUDB7223, TSUBB3646, TSUQD7246, TSUTR8546

You will need 2 person(s) for this assembly. You will need a Phillips head screw driver.

### TOP ASSEMBLY

#### Hardware:

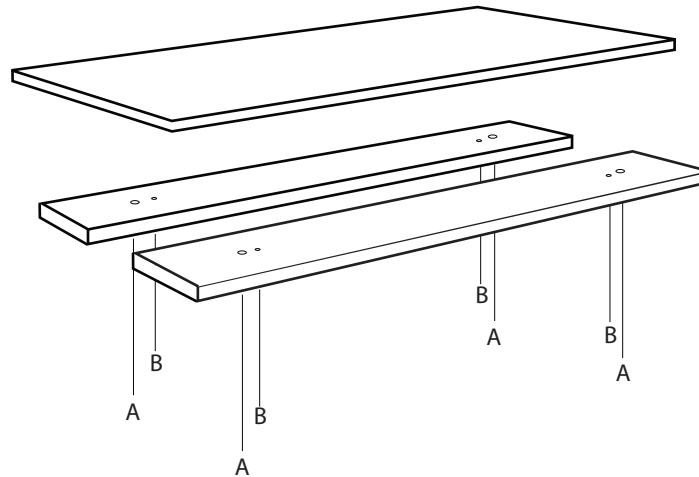
A- 4 bolts (per unit)

B -4 screws (per unit)

#### Parts:

Tops - You will have 1 Top Per Grouping of components.

**How to attach top:** No matter the orientation of your units, each one will have the layout shown below. Lay the top edge to edge across all. Then insert all Bolts(B) through the Top Supports into the Finishing Top. Once all Bolts are in place then (optional) re-enforce with wood screws(A).



### FEET/GLIDE ARRANGEMENT

**SINGLE UNITS** - Feet positions should be at the outer most positions (*figure A*).

**MULTIPLE UNITS** - If you have two Desks or Bookcases directly next to one another then one unit should have the inner glides offset to the inside positions (*figure B*). This allows the units to stand flush next to each other.

