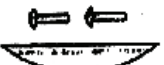

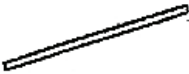






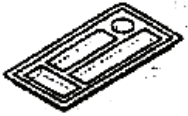


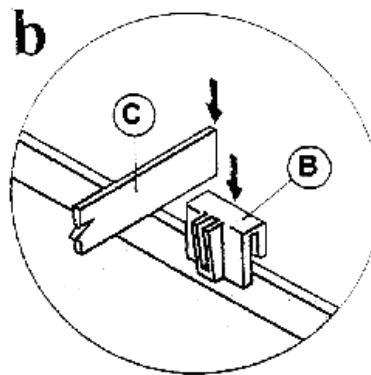
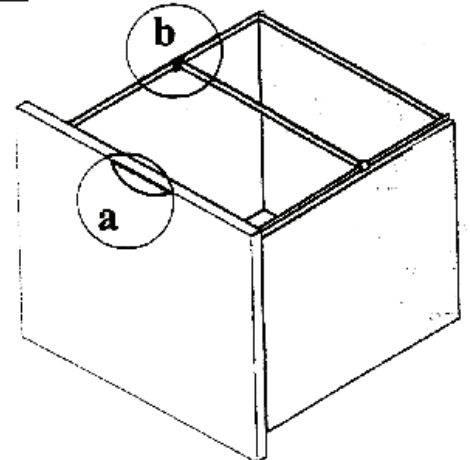
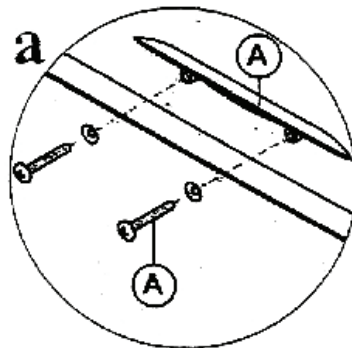
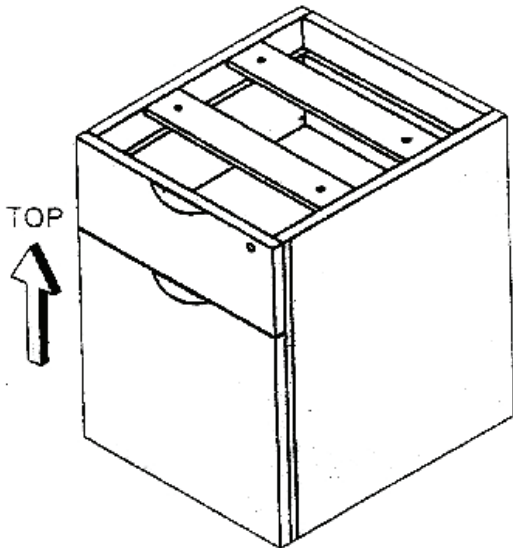
# REGENCY

YOUR COMPLETE OFFICE SOLUTION

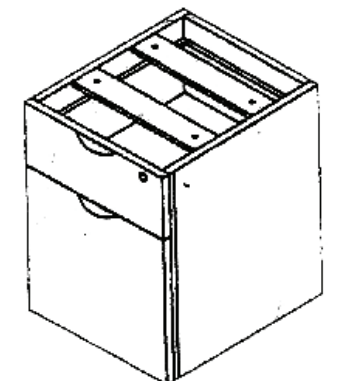
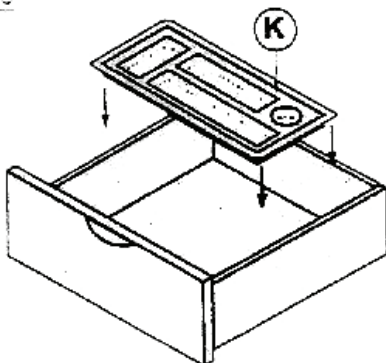
## LPBF22 (LBF22P), VPBF22 (VBF22P) - INSTRUCTIONS

<p><b>A</b></p>  <p>32mm Metal Scallop Shape Handle 2 Sets</p>	<p><b>B</b></p>  <p>File Clip 2 Pcs</p>	<p><b>C</b></p>  <p>302 x 16 x 3mm Aluminum Bar 1 Pc</p>	<p><b>D</b></p>  <p>M4 x 65 Allen-Key 1 Pc</p>	<p><b>E</b></p>  <p>JCBC Screw M6 x 40mm c/w 1/4 Washer 4 Sets</p>
<p><b>F</b></p>  <p>7 Hole L-Bracket 2 Pcs</p>	<p><b>G</b></p>  <p>Screw #8 x 3/8" 12 Pcs</p>	<p><b>H</b></p>  <p>#8 x 1 1/2" Pan Head Screw 2 Pcs</p>	<p><b>J</b></p>  <p>Keys 1 Set</p>	<p><b>K</b></p>  <p>Pencil Tray 1 no.</p>

### STEP 1



### STEP 3



### COMPLETED ASSEMBLY

#### IMPORTANT NOTICE:

- Place all wooden parts on a clean and smooth surface such as a rug or carpet to avoid the parts from being scratched.
- Check to be sure that you have all parts and hardware.
- Remove all wrapping materials, including staples & packing straps before you start to assemble.
- Do not tighten all screws/bolts until completely assembled.
- Keep all hardware parts out of reach of children.