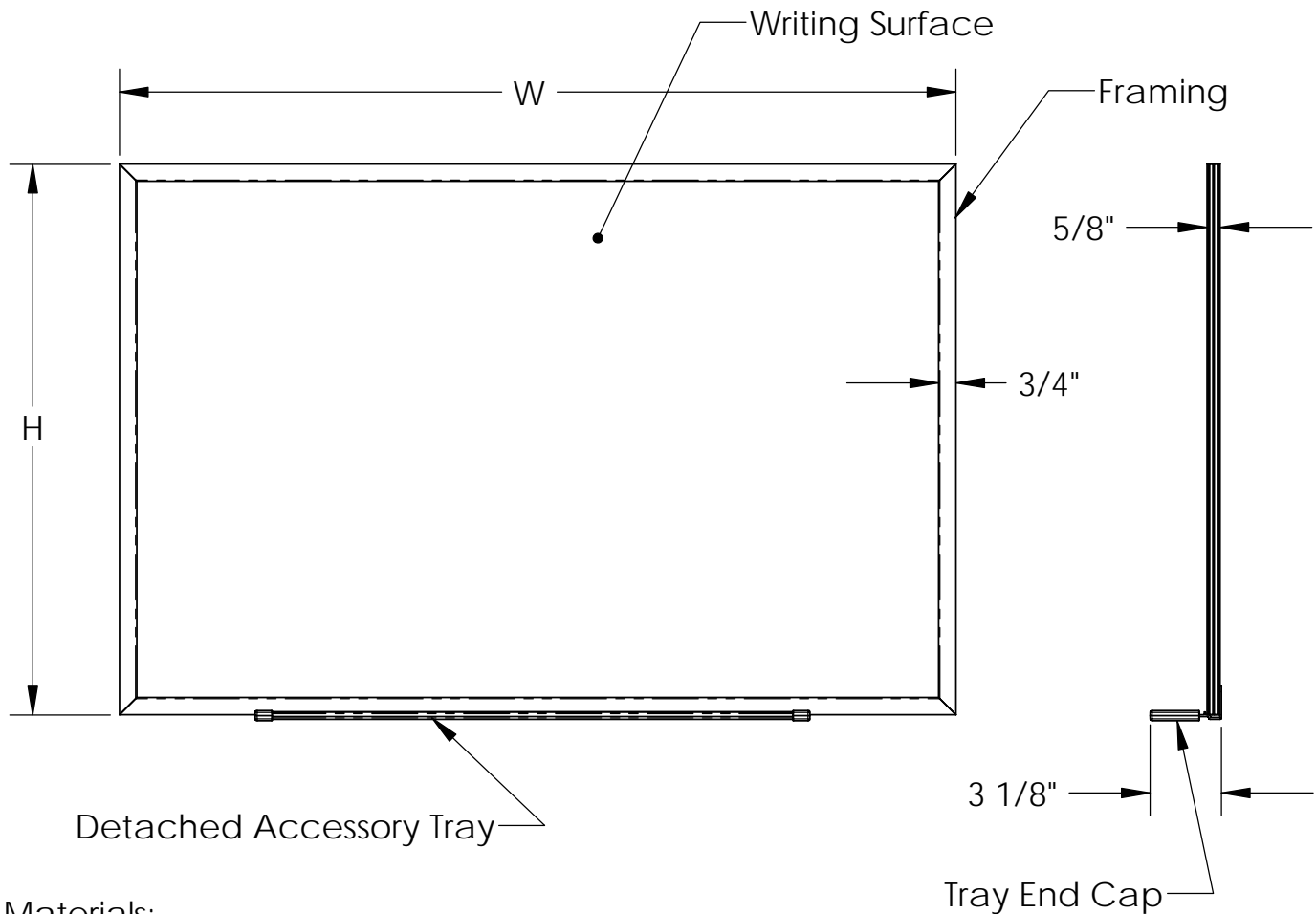


M1 Series

Aluminum Framed Porcelain White H boards



Materials:

- Framing and detached accessory tray: Satin anodized aluminum extrusion
- Writing surface: White porcelain coated 28 gage - steel laminated to 3/8" thick fiberboard, with a mylar film backing.
- Detached accessory tray end caps: Gray thermoplastic.

Features:

- Board hangers are included.
- An eraser and black marker is included with each 3' X 4' and smaller boards.
- An eraser and four assorted color markers are included with each 3' X 5' and larger boards.
- Available in the following sizes:
2'H x 3'W, 3'H x 4'W, 4'H x 5'W, 4'H x 6'W, 4'H x 8'W, 4'H x 10'W, 4'H x 12'W,
or 4'H x 16'W (2 pcs)
- Board is guaranteed 50 years.

Notes:

- Wall mounting fasteners are not included.
- For indoor use only.