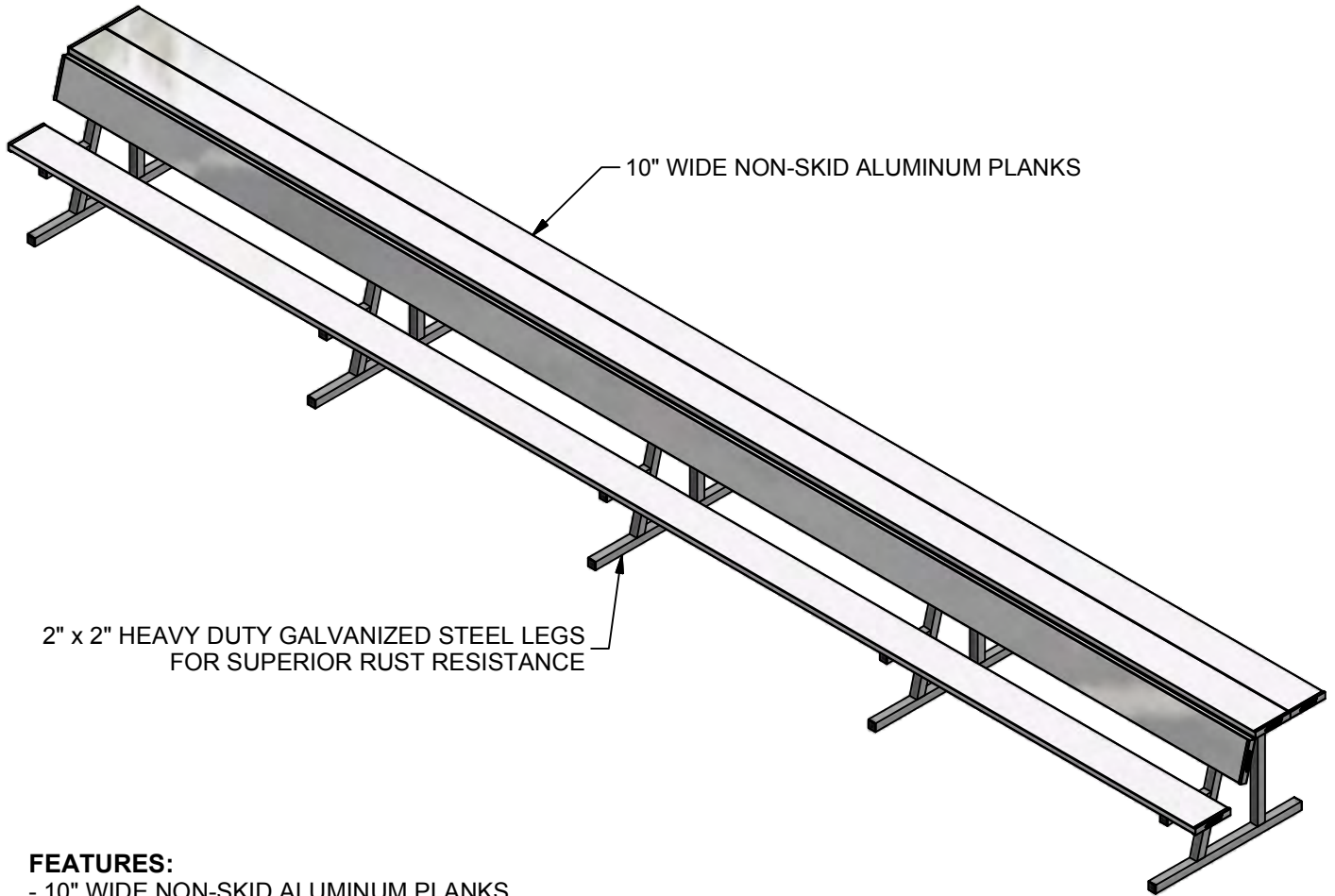


PBS-90

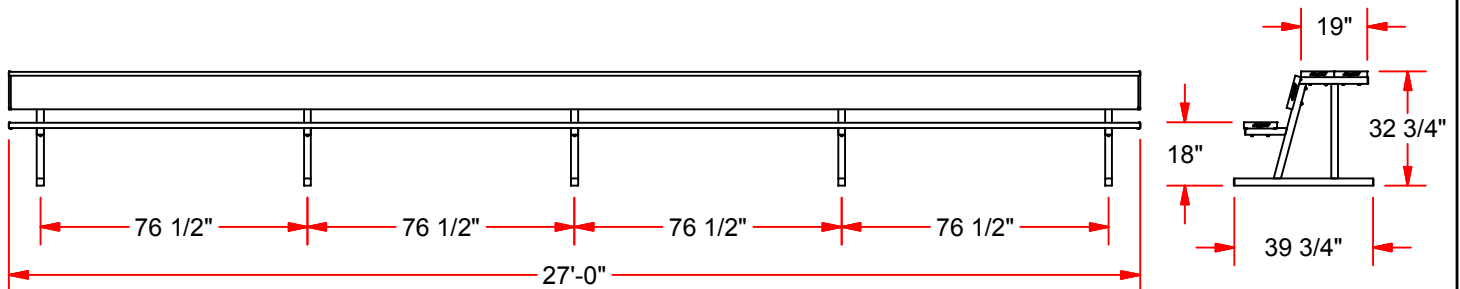


FEATURES:

- 10" WIDE NON-SKID ALUMINUM PLANKS
- 2" x 2" HEAVY DUTY GALVANIZED STEEL LEGS FOR SUPERIOR RUST RESISTANCE
- 19" WIDE SHELF CAN BE USED FOR HELMETS, GLOVES, WATER AND OTHER MISC. ITEMS
- SAME HIGH QUALITY AS OUR FULL LINE OF PLAYER BENCHES

OPTIONS:

- CUSTOM POWDER COATED COLORS



REV.	DESCRIPTION	DATE	BY
-	INITIAL RELEASE	5/20/2011	Moone T.

COPYRIGHT 2006
JAYPRO SPORTS, LLC.
ALL RIGHTS RESERVED

PBS-90
27' LONG PLAYER
BENCH WITH SHELF

THIS PRINT IS THE PROPERTY OF JAYPRO SPORTS, LLC.
AND MAY NOT BE REPRODUCED WITHOUT WRITTEN PERMISSION

www.jaypro.com

FAX:
860.444.1779 (SALES)
860.440.0628 (ENG.)

PHONE:
800.243.0533 (TOLL FREE)
860.447.3001 (LOCAL)

JAYPRO SPORTS, LLC, 976 HARTFORD TURNPIKE, WATERFORD, CT 06385 USA

DRAWING NAME / PART NUMBER: PBS-90	
DRAWN BY: Moone T.	ISSUE DATE: 5/20/2011
CHK'D BY: WVB	CHK DATE: 5/20/2011
SHEET: 1 OF 1	REV. -