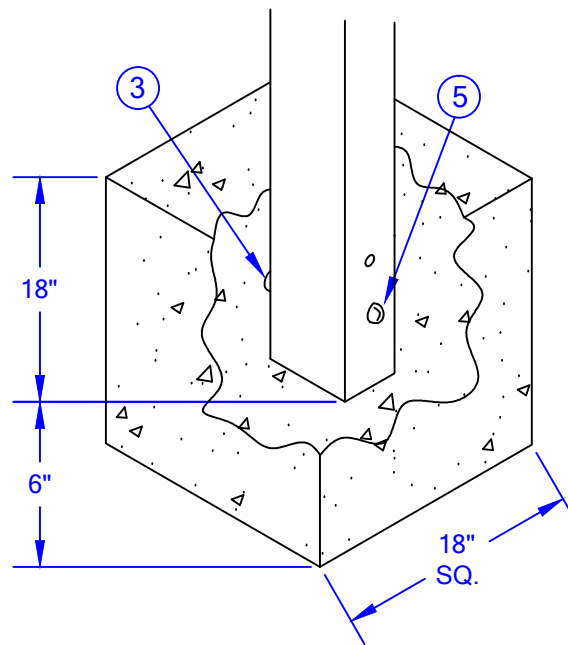


IMPORTANT
 MARK 18" DIMENSION
 ON EACH LEG BEFORE
 INSERTING INTO CONCRETE

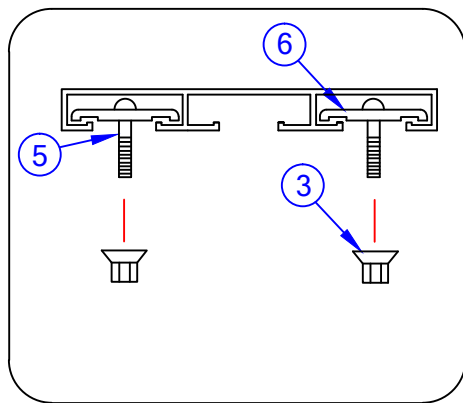
PLEASE NOTE:

- 1) FOR SAFE OPERATION AND CONTINUED HIGH PERFORMANCE FROM THIS EQUIPMENT, INSPECTION AND MAINTENANCE MUST BE PERFORMED BEFORE EACH USE
- 2) USE OF THIS EQUIPMENT OTHER THAN INTENDED, MAY BE HAZARDOUS.
- 3) ALTERATION OR MODIFICATION OF EQUIPMENT MAY BE HAZARDOUS. FOR REPAIR OR REPLACEMENT, PLEASE CALL YOUR DEALER



NOTE:
 THESE ARE TYPICAL
 FOOTING DIMENSIONS
 FOR AVERAGE SOIL
 CONDITIONS. LOCAL
 CODE MAY SPECIFY
 DIFFERENT REQUIRE-
 MENTS.

VIEW A-A



Jaypro Sports

976 Hartford Turnpike
 Waterford, CT 06385 USA
 (800)243-0533
 (800)988-3363 Fax
 www.jaypro.com

MODEL NO.:
PB-75PI

PRODUCT NAME:
 7 1/2' PERM. PLAYERS BENCH

DRAWN BY: JAC	EFFECTIVE DATE: 1/25/2011
----------------------	-------------------------------------

JAYPRO SPORTS

7 ½' PERMANENT PLAYER'S BENCH, PB-75PI

LIST OF MATERIALS

<u>PIECE NO.</u>	<u>PART NO.</u>	<u>DESCRIPTION</u>	<u>QTY.</u>
1	AR5046	SEAT PLANK	1
2	PB-L	BENCH LEG PERMANENT	2
3	HN5046	5/16" FLANGE NUT	6
4	EP0018	2" x 2" END PLUG	4
5	HB5030	5/16"-18 x 3" CARRIAGE BOLT	6
6	AR5044	HOLD DOWN CLIP	4
7	AR5045A	END CAP	2
8	HS5035	#8 PAN HEAD SCREW x ½"	4

ASSEMBLY INSTRUCTIONS

TOOLS REQUIRED: PHILLIPS SCREWDRIVER BIT WITH ELECTRIC DRILL (1),
½" SOCKET WRENCH OR ADJUSTABLE WRENCH

- 1) Slip the end caps (7) snugly onto each end of the plank (1). Using the electric drill, assemble a self-drilling screw (8) through the cap and into the flange of the plank. Two screws are required per end cap.
- 2) For easiest assembly, position seat plank (1) on a level raised surface such as a desk top, bleacher seat or work bench. Place the carriage bolt (5) and bolt clips (6) approximately into place within the slots of the plank. Note that the legs should be no more than 8" from the plank edge. Also assemble a bolt (5) and a nut (3) into the lowest hole in the leg extension to help lock the leg into the footing.
- 3) Position the legs as shown and loosely assemble the hardware illustrated in 'Detail A-A'. Do not fully tighten the hardware at this time.
- 4) Stand the unit upright and level the bench and make sure the legs are adequately spaced apart. Tighten all fasteners fully.
- 5) Locate your bench and dig footings to the dimensions shown on the illustration. Mark each leg at 18" from bottom of leg.
- 6) Fill in footings with concrete, then, lower assembled bench into the footings. Block up under bench to support the bench at the mark on each leg. Level seat plank and adjust bench as necessary.
- 7) Allow footings to cure at least 72 hours before removing the supports or using the bench.