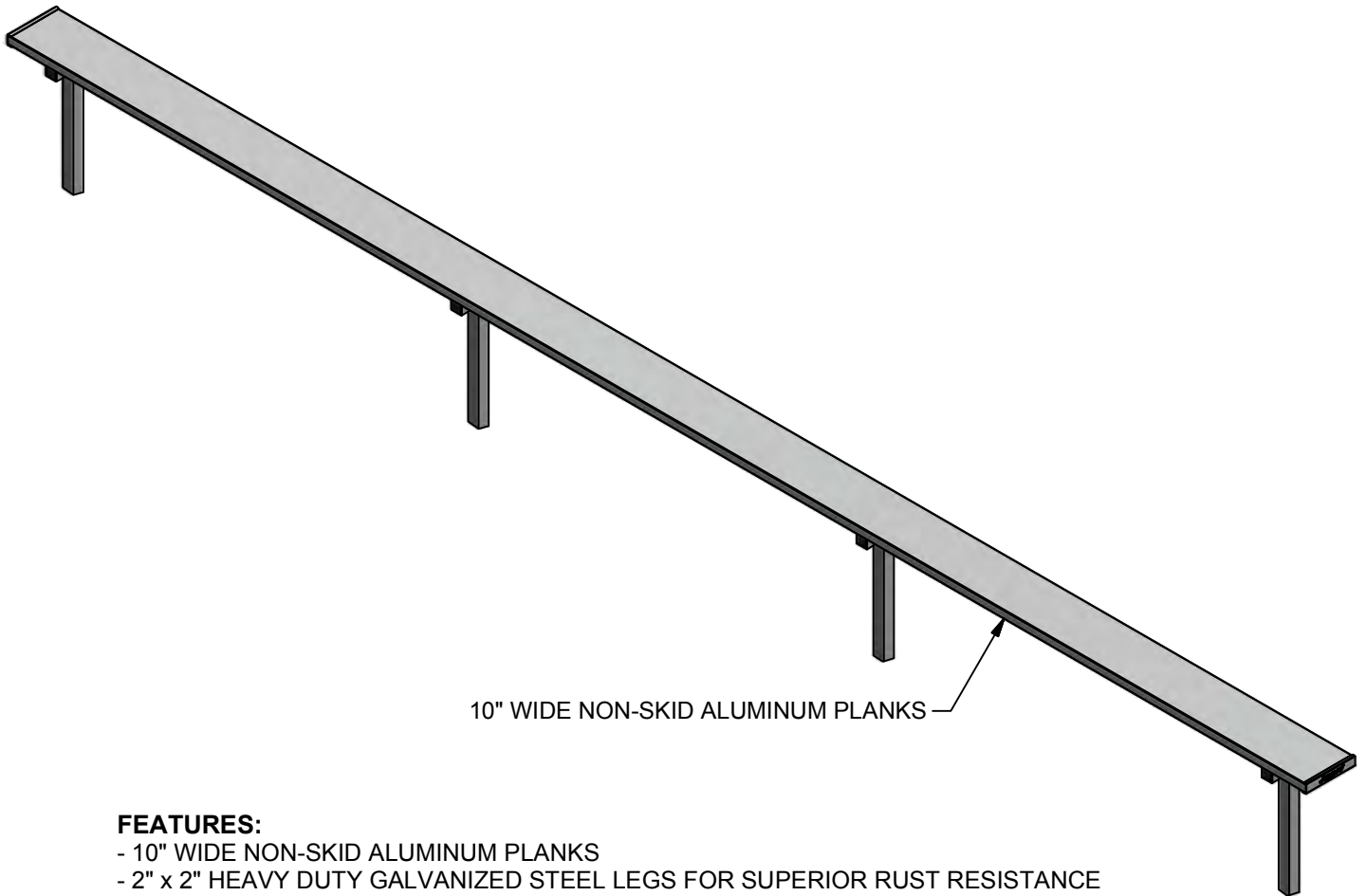


PB-5PI



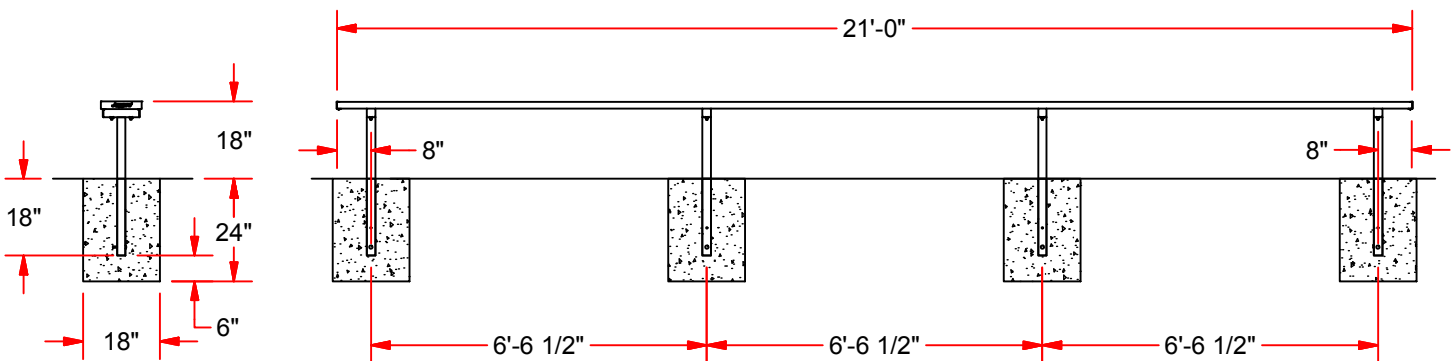
10" WIDE NON-SKID ALUMINUM PLANKS

FEATURES:

- 10" WIDE NON-SKID ALUMINUM PLANKS
- 2" x 2" HEAVY DUTY GALVANIZED STEEL LEGS FOR SUPERIOR RUST RESISTANCE
- PLANKS ARE SUPPORTED BY A STRONG, GALVANIZED STEEL UNDERSTRUCTURE

OPTIONS:

- CUSTOM POWDER COATED COLORS



REV.	DESCRIPTION	DATE	BY
-	INITIAL RELEASE	10/13	MT

PB-5PI
21' PLAYERS BENCH WITH
OUT BACK REST



PHONE:
800.243.0533 (TOLL FREE)
860.447.3001 (LOCAL)

FAX:
860.444.1779 (SALES)
860.440.0629 (ENG.)

www.jaypro.com
INNOVATION, PERFORMANCE
AND COMMITMENT SINCE 1953
JAYPRO SPORTS, LLC, 976 HARTFORD TURNPIKE, WATERFORD, CT 06385 USA

DRAWING NAME / PART NUMBER: PB-5PI	
DRAWN BY: Moune T.	ISSUE DATE: 8/22/2013
CHK'D BY: WVB	CHK DATE: 10/15/2013
SHEET: 1 OF 1	REV. -