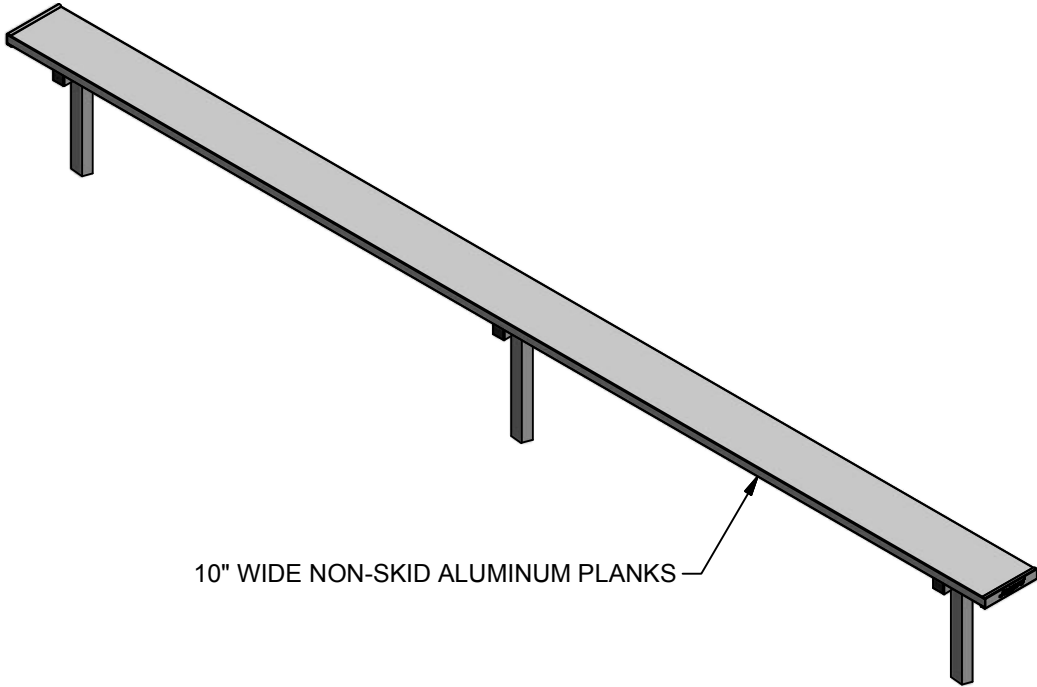


PB-15PI



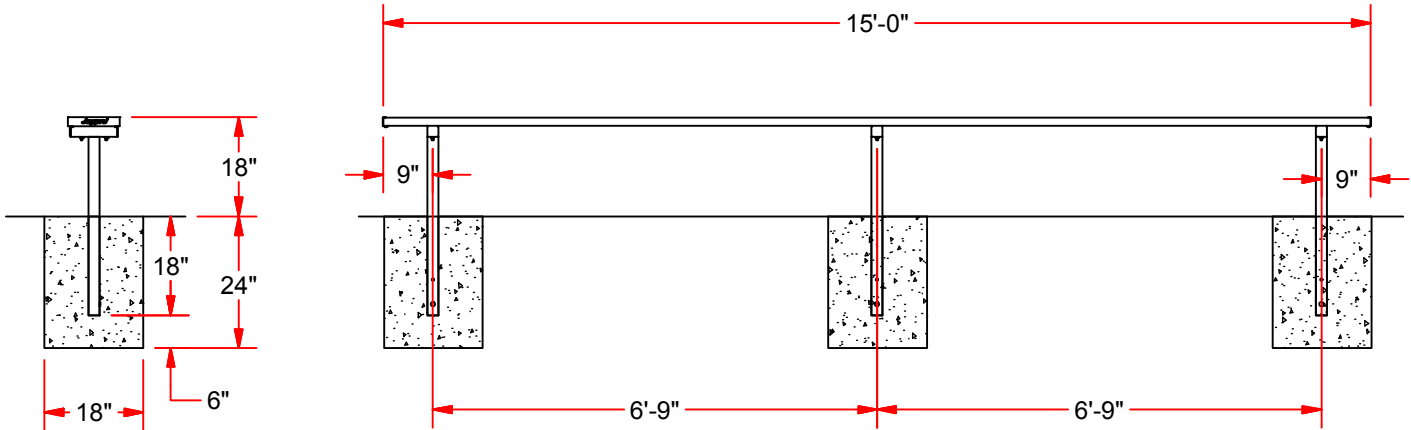
10" WIDE NON-SKID ALUMINUM PLANKS

FEATURES:

- 10" WIDE NON-SKID ALUMINUM PLANKS
- 2" x 2" HEAVY DUTY GALVANIZED STEEL LEGS FOR SUPERIOR RUST RESISTANCE
- PLANKS ARE SUPPORTED BY A STRONG, GALVANIZED STEEL UNDERSTRUCTURE

OPTIONS:

- CUSTOM POWDER COATED COLORS



REV.	DESCRIPTION	DATE	BY
-	INITIAL RELEASE	10/13	MT

PB-15PI
15' PLAYERS BENCH WITH
OUT BACK REST

THIS PRINT IS THE PROPERTY OF JAYPRO SPORTS, LLC.
AND MAY NOT BE REPRODUCED WITHOUT WRITTEN PERMISSION

PHONE:
800.243.0533 (TOLL FREE)
860.447.3001 (LOCAL)

FAX:
860.444.1779 (SALES)
860.440.0628 (ENG.)

www.jaypro.com
JAYPRO SPORTS, LLC, 976 HARTFORD TURNPIKE, WATERFORD, CT 06385 USA

DRAWING NAME / PART NUMBER: PB-15PI	
DRAWN BY: Moune T.	ISSUE DATE: 8/22/2013
CHK'D BY: WVB	CHK DATE: 10/15/2013
SHEET: 1 OF 1	REV.: -