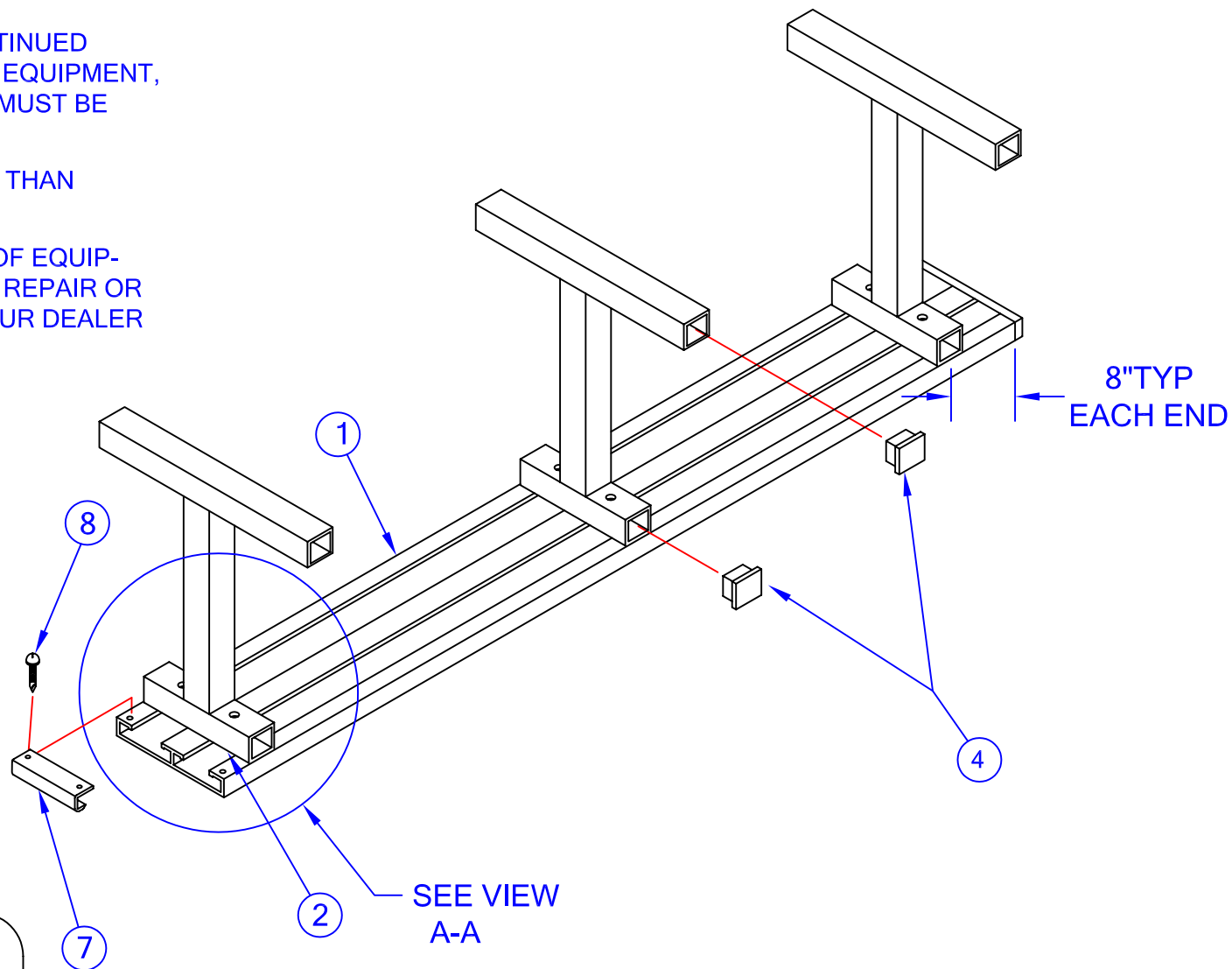
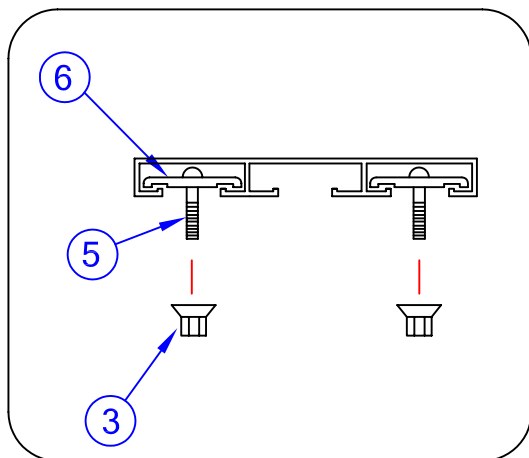


PLEASE NOTE:

- 1) FOR SAFE OPERATION AND CONTINUED HIGH PERFORMANCE FROM THIS EQUIPMENT, INSPECTION AND MAINTENANCE MUST BE PERFORMED BEFORE EACH USE
- 2) USE OF THIS EQUIPMENT OTHER THAN INTENDED, MAY BE HAZARDOUS.
- 3) ALTERATION OR MODIFICATION OF EQUIPMENT MAY BE HAZARDOUS. FOR REPAIR OR REPLACEMENT, PLEASE CALL YOUR DEALER



VIEW A-A



Jaypro Sports 976 Hartford Turnpike Waterford, CT 06385 USA (800)243-0533 (800)988-3363 Fax www.jaypro.com	MODEL NO.: PB-15	
	PRODUCT NAME: 15' PLAYERS BENCH	
	DRAWN BY: JAC	EFFECTIVE DATE: 4-30-03

JAYPRO SPORTS

15' PLAYER'S BENCH, PB-15

LIST OF MATERIALS

<u>PIECE #</u>	<u>PART #</u>	<u>DESCRIPTION</u>	<u>QTY.</u>
1	AR5043	SEAT PLANK 15'	1
2	PB751	BENCH LEG	3
3	HN5046	5/16" FLANGE NUT	6
4	EP0018	2" x 2" END PLUG	12
5	HB5030	5/16"-18 x 3" CARRIAGE BOLT	6
6	AR5044	HOLD DOWN CLIP	6
7	AR5045	END CAP	2
8	HS5035	#8 PAN HEAD SCREW x 1/2"	4

ASSEMBLY INSTRUCTIONS

TOOLS REQUIRED: PHILLIPS SCREWDRIVER BIT W/ ELECTRIC DRILL (1),
1/2" SOCKET WRENCH OR ADJUSTABLE WRENCH (1)

- 1) SLIP THE END CAPS (7) SNUGLY ONTO EACH END OF THE PLANK (1). USING THE ELECTRIC DRILL, ASSEMBLE A SELF-DRILLING SCREW (8) THROUGH THE CAP AND INTO THE FLANGE OF THE PLANK. TWO SCREWS ARE REQUIRED PER END CAP.
- 2) FOR EASIEST ASSEMBLY, POSITION SEAT PLANK (1) ON A LEVEL RAISED SURFACE SUCH AS A DESK TOP, BLEACHER SEAT OR WORK BENCH. PLACE THE CARRIAGE BOLT (5) AND BOLT CLIPS (6) APPROXIMATELY INTO PLACE WITHIN THE SLOTS OF THE PLANK. NOTE THAT THE LEGS SHOULD BE NO MORE THAN 8" FROM THE PLANK EDGE.
- 3) POSITION THE LEGS AS SHOWN AND LOOSELY ASSEMBLE THE HARDWARE ILLUSTRATED IN DETAIL 'A-A'. DO NOT FULLY TIGHTEN THE HARDWARE AT THIS TIME. LEVEL THE BENCH AND MAKE SURE THE LEGS ARE ADEQUATELY SPACED APART. TIGHTEN ALL FASTENERS FULLY.