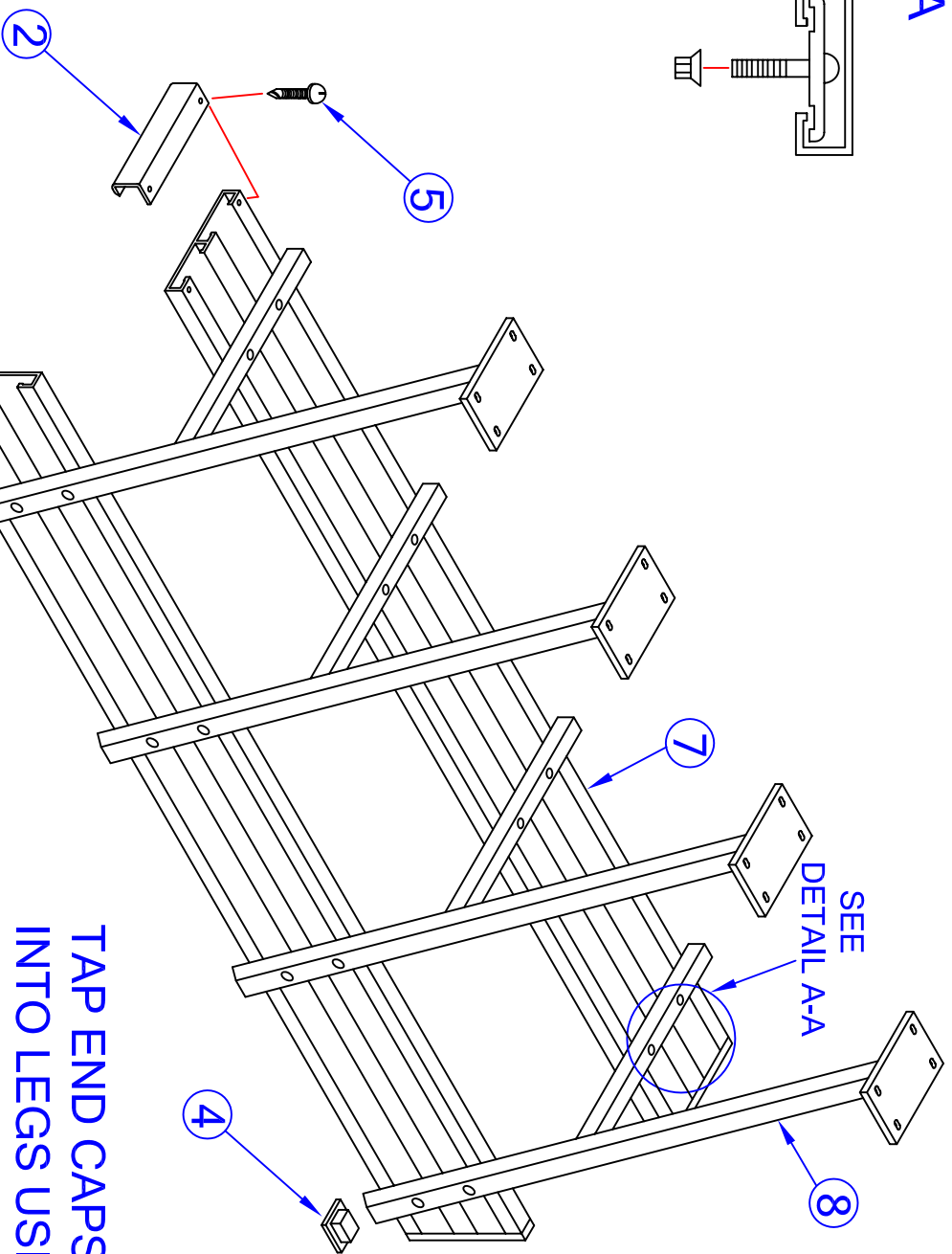
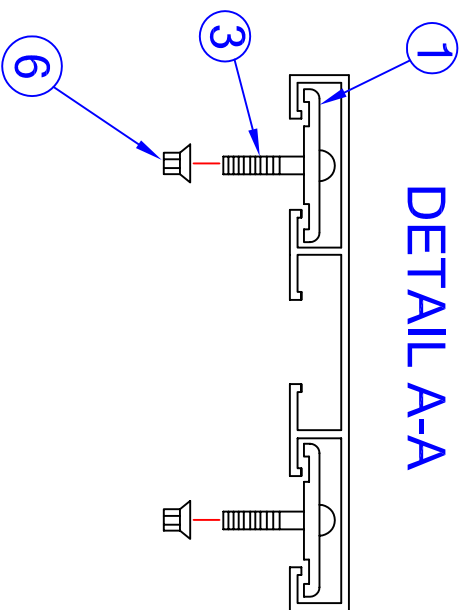


DETAIL A-A



8" TYP
EACH END

NOTE

DUE TO THE WIDE VARIATIONS IN FLOOR CONSTRUCTION AND MATERIALS, LEG ANCHORS AND ASSOCIATED HARDWARE ARE NOT PROVIDED. IT IS THE INSTALLERS RESPONSIBILITY TO DETERMINE THE SUITABILITY OF THE FASTENERS.

TAP END CAPS INTO LEGS USING A RUBBER Mallet OR A BLOCK OF WOOD

Jaypro Sports

976 Hartford Turnpike
Waterford, CT 06385 USA

(800)243-0533
(800)988-3363 Fax
www.jaypro.com

MODEL NO.:
PB-10SM

PRODUCT NAME:

21' PLAYERS BENCH WITH BACK REST

DRAWN BY: JAC

EFFECTIVE DATE:
4-29-03

JAYPRO SPORTS

21' PLAYER'S BENCH WITH BACK REST, PB-10SM LIST OF MATERIALS

<u>PIECE NO.</u>	<u>PART NO.</u>	<u>DESCRIPTION</u>	<u>QTY.</u>
1	AR5044	Bolt Clip With Slot	16
2	AR5045	End Cap	4
3	HB5030	Carriage Bolt 5/16"-18 X 3"	16
4	EP0018	2" x 2" End Plug	8
5	HS5035	#8 Pan Head Screw x 1/2"	8
6	HN5046	5/16" Flange Nut	16
7	AR5052	Seat Plank x 21'	2
8	PBSM-L	Bench Leg	4

ASSEMBLY INSTRUCTIONS

TOOLS REQUIRED: Phillips Screwdriver Bit With Electric Drill (1),
1/2" Socket Wrench Or Adjustable Wrench (1)

- 1) Slip the end caps (2) snugly onto each end of the plank (7). Using the electric drill, assemble a self-drilling screw (5) through the cap and into the flange of the plank. Two screws are required per end cap.
- 2) For easiest assembly, position seat plank (7) on a level raised surface such as a desk top, bleacher seat or work bench. Place the carriage bolt (3) and bolt clips (1) approximately into place within the slots of the plank. Note that the legs should be no more than 8" from the plank edge.
- 3) Position the legs as shown and loosely assemble the hardware illustrated in detail 'A-A'. Do not fully tighten the hardware at this time.
- 4) Stand the unit upright and assemble the backrest plank (7) as illustrated. Level the bench and make sure the legs are adequately spaced apart. Tighten all fasteners fully.
- 5) Locate assembled bench into position and carefully mark the hole locations for each mounting plate. Use fasteners (minimum 3/8" diameter) appropriate for your surface material. Follow manufacturer's instructions fully.