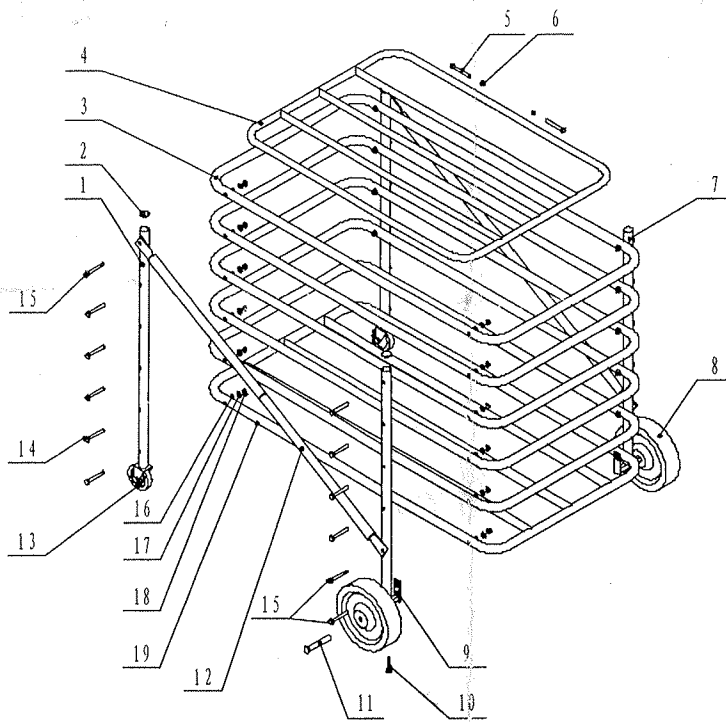


## Assemble Instruction Ultimate Ball Locker



### Parts List

Item#	Description	Qty	Remark
1	Upright tube I	2pcs	Joining with iItem#13
2	Plastic Plug	4pcs	
3	Round ring	5pcs	
4	Top	1pc	
5	Pivot	2pcs	
6	Circlip for shaft	2pcs	
7	Riser II	2pcs	Joining with item#8
8	8"directional wheel	2pcs	
9	Locking part	2pcs	
10	Hex bolt M8×40	2pcs	Fixing item#8
11	Hex bolt M12×65	2pcs	For 8" wheel pivot
12	Leaning pole	2pcs	
13	3" Multi-directional caster	2pcs	
14	Hex bolt M8×55	16pcs	
15	Hex bolt M8×60	8pcs	
16	Flat Washer $\phi$ 8	24pcs	
17	Spring washer $\phi$ 8	24pcs	
18	Cap nuts M8	24pcs	
19	Bottom	1pc	