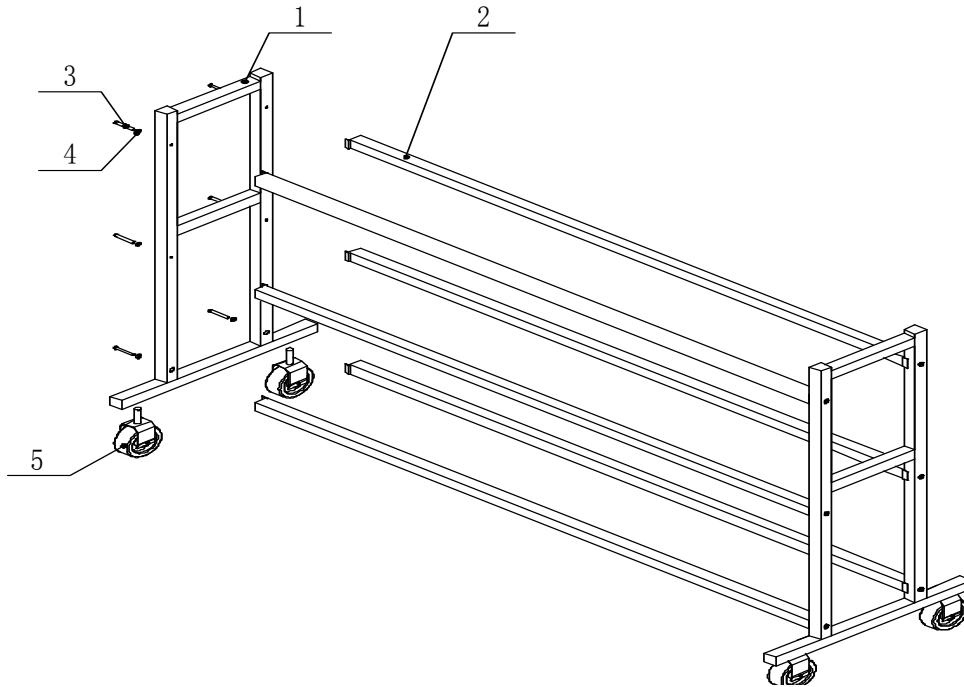


Assemble Instruction **BBABC-1** Monster Ball Cart



Parts list

Item#	Description	Qty
1	End frame	2pcs
2	Linking tube	6pcs
3	Button head Bolt M5 × 35	12pcs
4	Flat washer Φ5	12pcs
5	3" Multi-directional Caster	4pcs