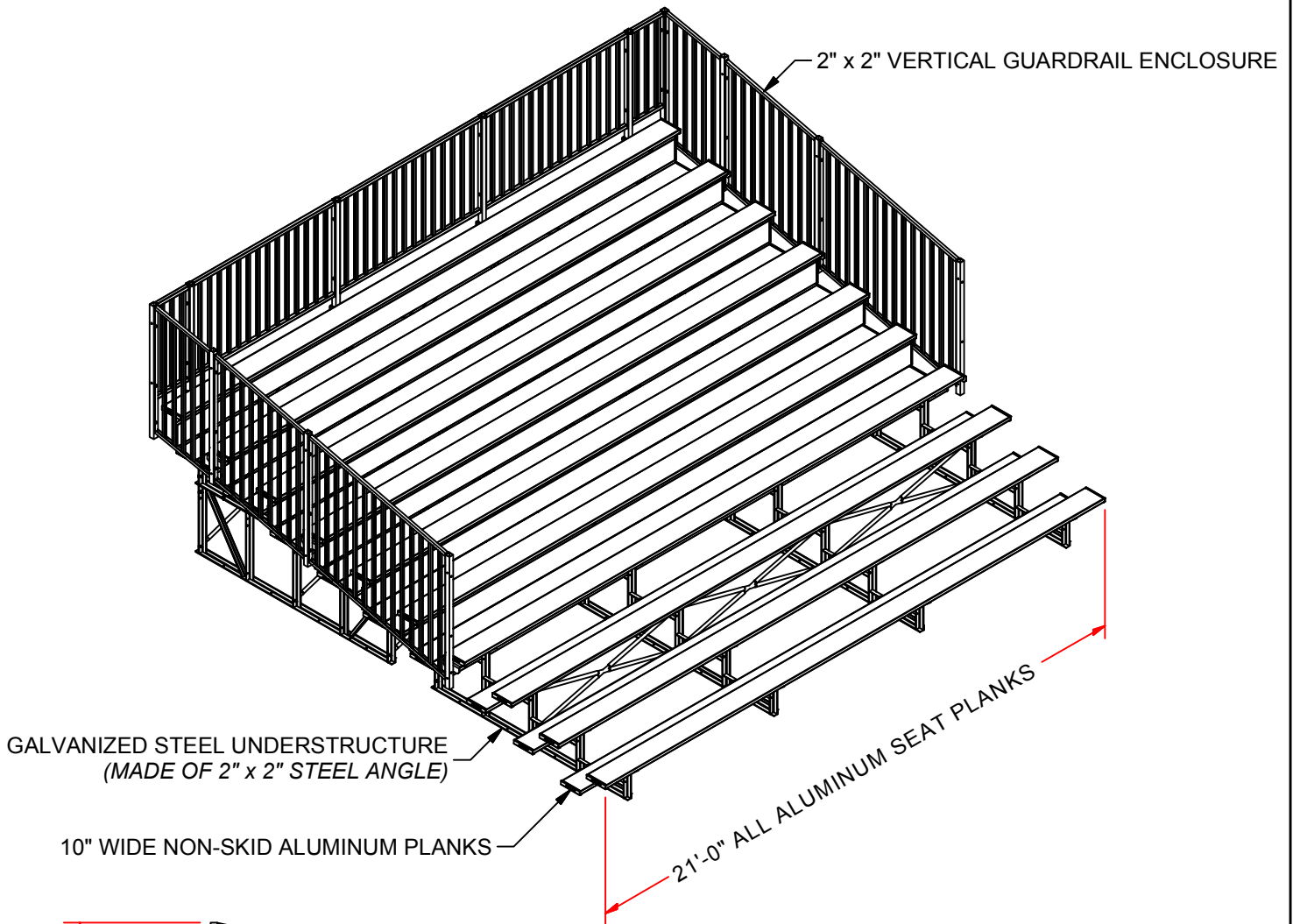


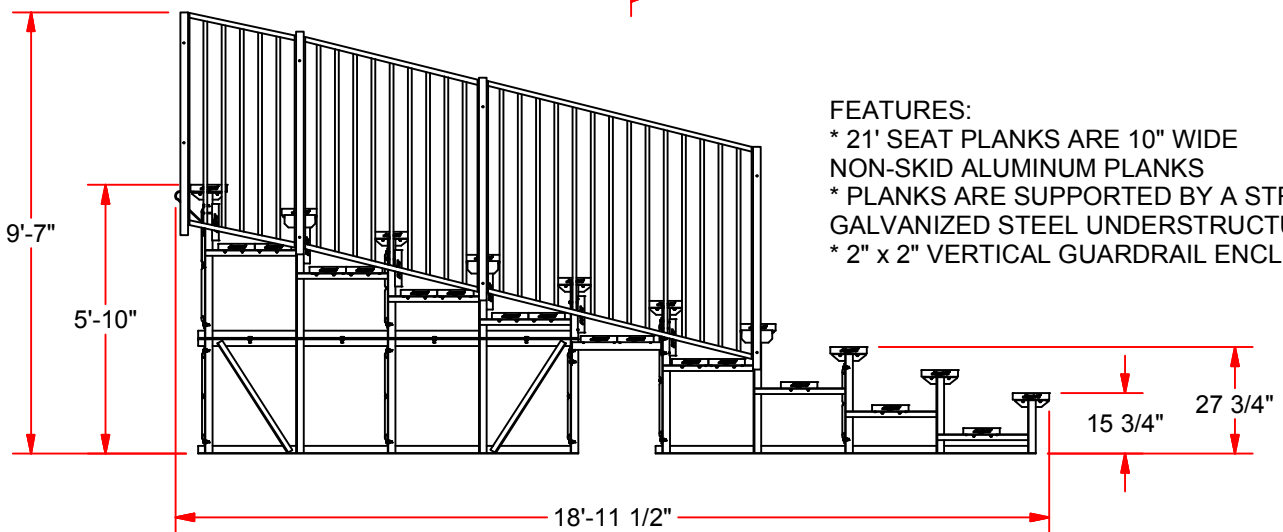
BLCH-1021GR



GALVANIZED STEEL UNDERSTRUCTURE
(MADE OF 2" x 2" STEEL ANGLE)

10" WIDE NON-SKID ALUMINUM PLANKS

21'-0" ALL ALUMINUM SEAT PLANKS



FEATURES:

- * 21' SEAT PLANKS ARE 10" WIDE NON-SKID ALUMINUM PLANKS
- * PLANKS ARE SUPPORTED BY A STRONG GALVANIZED STEEL UNDERSTRUCTURE
- * 2" x 2" VERTICAL GUARDRAIL ENCLOSURE

BLCH-1021GR

21 FT 10 ROW ALUMINUM BLEACHER WITH VERTICAL GUARDRAIL ENCLOSURE

THIS PRINT IS THE PROPERTY OF JAYPRO SPORTS, LLC. AND MAY NOT BE REPRODUCED WITHOUT WRITTEN PERMISSION



www.jaypro.com

INNOVATION, PERFORMANCE AND COMMITMENT SINCE 1953

PHONE:
800.243.0533 (TOLL FREE)
860.447.3001 (LOCAL)

FAX:
860.444.1779 (SALES)
860.440.0628 (ENG.)

DRAWING NAME / PART NUMBER:

BLCH-1021GR

DRAWN BY:

Moune T.

ISSUE DATE:

9/16/2011

CHKD BY:

WVB

CHK DATE:

5/9/2014

SHEET:

1 OF 1