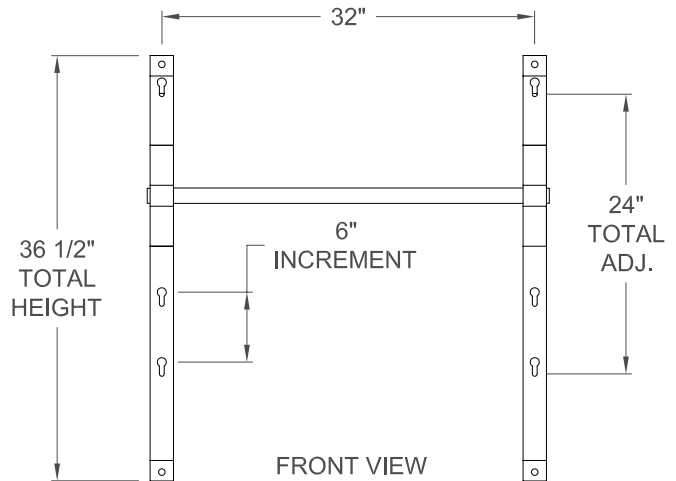
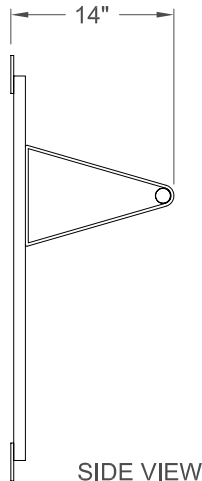
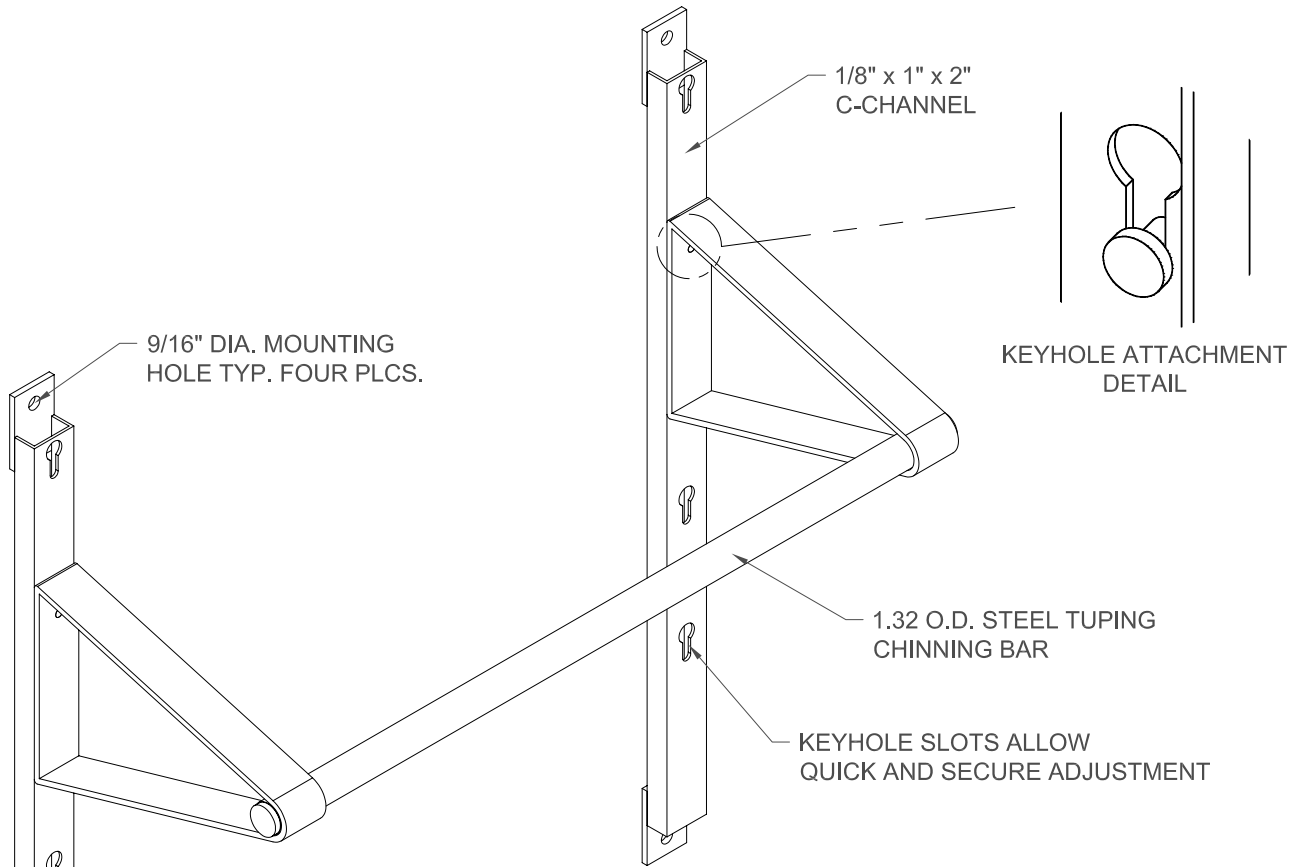


# EWM-30 WALL MOUNT ADJUSTABLE CHINNING BAR



REV.	DESCRIPTION	DATE	BY

**EWM-30**  
**WALL MOUNT ADJUSTABLE**  
**CHINNING BAR**

COPYRIGHT 2006  
JAYPRO SPORTS, LLC.  
ALL RIGHTS RESERVED

THIS PRINT IS THE PROPERTY OF JAYPRO SPORTS, LLC.  
AND MAY NOT BE REPRODUCED WITHOUT WRITTEN PERMISSION



[www.jaypro.com](http://www.jaypro.com)  
976 HARTFORD TURNPIKE  
WATERFORD, CT 06385 USA

DRAWING NAME / PART NO.: <b>EWM-30</b>	
DRAWN BY: <b>RJR</b>	CHK'D BY: <b>DEM</b>
ISSUE DATE: <b>05/30/06</b>	
SHEET: <b>1 OF 1</b>	REV.