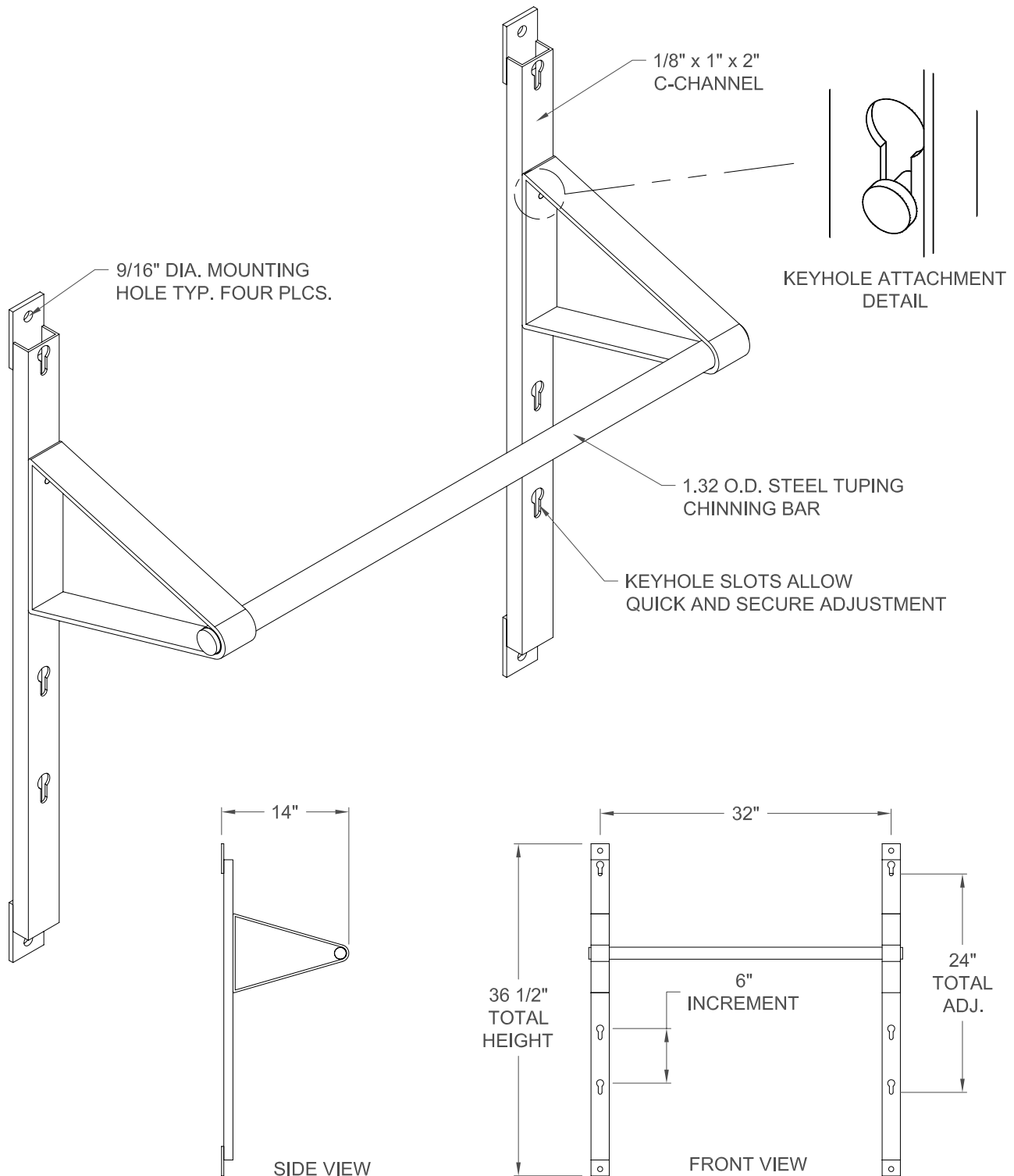


EWM-30

WALL MOUNT ADJUSTABLE CHINNING BAR



REV.	DESCRIPTION	DATE	BY

EWM-30
WALL MOUNT ADJUSTABLE
CHINNING BAR

COPYRIGHT 2006
 JAYPRO SPORTS, LLC.
 ALL RIGHTS RESERVED

THIS PRINT IS THE PROPERTY OF JAYPRO SPORTS, LLC.
 AND MAY NOT BE REPRODUCED WITHOUT WRITTEN PERMISSION



www.jaypro.com
 976 HARTFORD TURNPIKE
 WATERFORD, CT 06385 USA

DRAWING NAME / PART NO.: EWM-30	
DRAWN BY: RJR	CHK'D BY: DEM
ISSUE DATE: 05/30/06	
SHEET: 1 OF 1	REV.