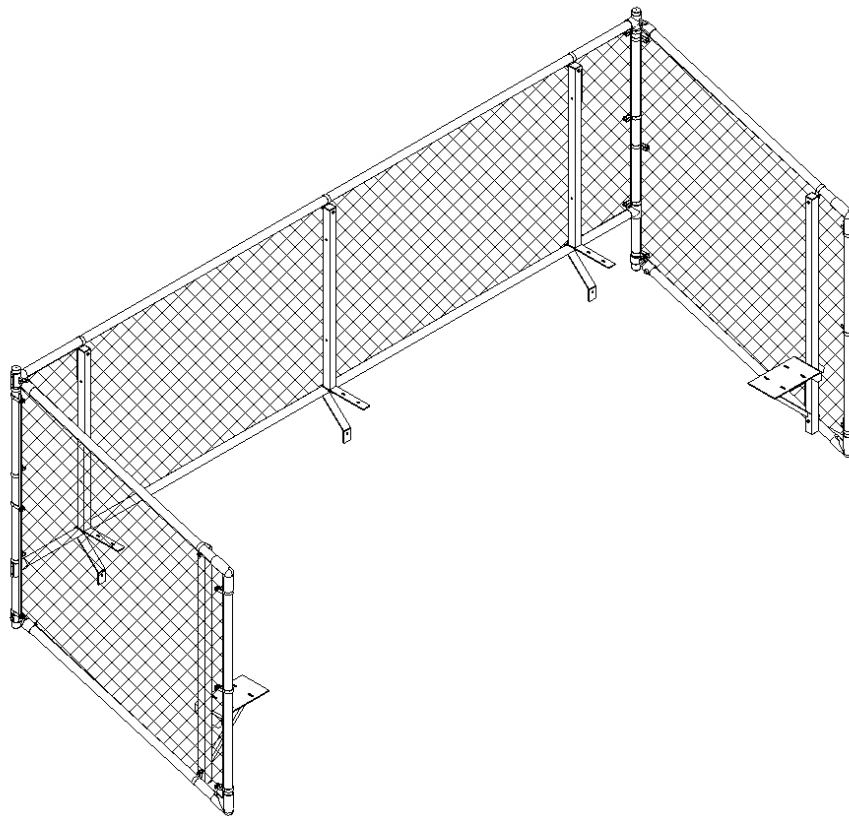




--- BLCH5CUE 15 / BLCH5CUE 21 ---  
(Universal Enclosure For Five-Row Bleacher)  
Installation Instructions



This enclosure is designed to fit a standard Five-Row Bleacher with a 6" to 8" rise (height difference from seat to seat). Drilling will most likely be required.

Call Jaypro Sports Equipment at 1-800-243-0533 during  
regular business hours for technical support.

[www.jaypro.com](http://www.jaypro.com)

## Important Notes

- Follow all warning signs and labels on equipment. Use of this equipment other than intended, may be hazardous.
- Before each use check equipment for proper connecting hardware and structural integrity. Replace damaged or missing hardware immediately.
- For safe operation and continued high performance from this equipment, inspection and maintenance must be performed at the beginning and end of each season.

## **Part List**

Item #	Quantity	Part Number	Part Description
1	4	GR-RP	GUARDRAIL BACK SUPPORT
2	2	BLCH5CUE-GRSP	GUARDRAIL SIDE SUPPORT
4	2	BLCH-5-GR-N1	1.90" x .109" WALL x 55-7/8" LONG PIPE
3	4	BLCH-5-GR-N2	1.90" x .109" WALL x 60" LONG PIPE
5	2	BLCH-5-GR-N3	1.90" x .109" WALL x 67" LONG PIPE
6	2	BLCH-5-GR-N4	REAR RAIL PIPES 15' / 21' (ONE W/ & W/O HOLES)
7	1	BLCH5CUE-CHN	PRE-FABRICATED CHAIN LINK PANEL GALVANIZED
8	2	BLCH-5-SC	PRE-FABRICATED 5' CHAIN LINK FENCE GALVANIZED
9	4	AR5043/AR5052	STADIUM SEAT PLANK 1 1/2" x 9 1/2" x 15' or 21'
10	4	AF5010	ADJUSTABLE ELBOW
11	2	AF5011	CORNER FITTING
12	2	SF177A	TEE FITTING
13	2	SF186	ADJUSTABLE TEE
14	80	AF116	ALUMINUM FENCE RAIL TIE
15	26	AF56	BRACE PIPE CLAMP
16	56	AR5044	BOLT CLIP W/ SLOTS FOR 5/16" CARRIAGE BOLT
17	26	EC0023	SOFT VINYL CAP
18	44	HB5054	5/16"-18 x 1-1/4" SHORT CARRIAGE BOLT, ZP (PLANKS)
19	8	EP0018	2" x 2" BLACK SQUARE TUBE CAP
20	4	EP0019	2" ROUND CAP
21	16	EP0025	1/2" HOLE PLUGS
22	8	HB4078	5/16"-18 x 1-1/2" CARRIAGE BOLT, ZP (BACK SUPPORT)
23	18	HB196	5/16"-18 x 1-1/4" CARRIAGE BOLT GALV. (CLAMPS)
24	8	HB5030	5/16"-18 x 3" CARRIAGE BOLT, ZP (RISER PLANKS)
25	8	HS4089	5/16"-18 x 3" PAN HEAD SLOT SCREW, ZP (SUPPORTS)
26	70	HN5046	5/16"-18 FLANGE NUT, ZP
27	8	HW2049	5/16" FLAT WASHER SAE, ZP
28	8	AR5045	END CAP 9 1/2" FOR ALUMINUM SEAT PLANKS
29	16	HS5035	#8 x 1/2" PAN HEAD PHILIP SCREW SELF DRILL, ZP
30	18	HN807	5/16"-18 GALVANIZED HEX NUT
31	4	HS292	3/8"-16 HEX HEAD CAP SCREW, ZP (LOWER RAIL PIPE)
32	4	HN5042	3/8"-16 FLANGE HEX NUT

## **\*\*\* To Be Assembled by Qualified Personnel Only \*\*\***

### Important:

- 1) Unpack all parts and check against parts list to ensure that all parts have been included.
- 2) Inspect all parts for damage. Report any damages to the trucking company.

### General Notes:

- There are two different 5/16" x 1-1/4" carriage bolts, galvanized and zinc plated. The galvanized 5/16" x 1-1/4" carriage bolts (item 23) and nuts (item 30) are used to clamp the pipe clamps. The zinc plated (ZP) 5/16" x 1-1/4" carriage bolts (item 18) and flange nuts (item 26) are used to anchor the seat planks.
- Call Jaypro for pricing and scheduling of a field maintenance visit from one of our highly trained specialists if you are unwilling or unable to perform the regular maintenance yourself. This enclosure will ensure no exposed seat is higher than 30" and comes with a footboard and kickback to complete the upgrade.

### Required Tools:

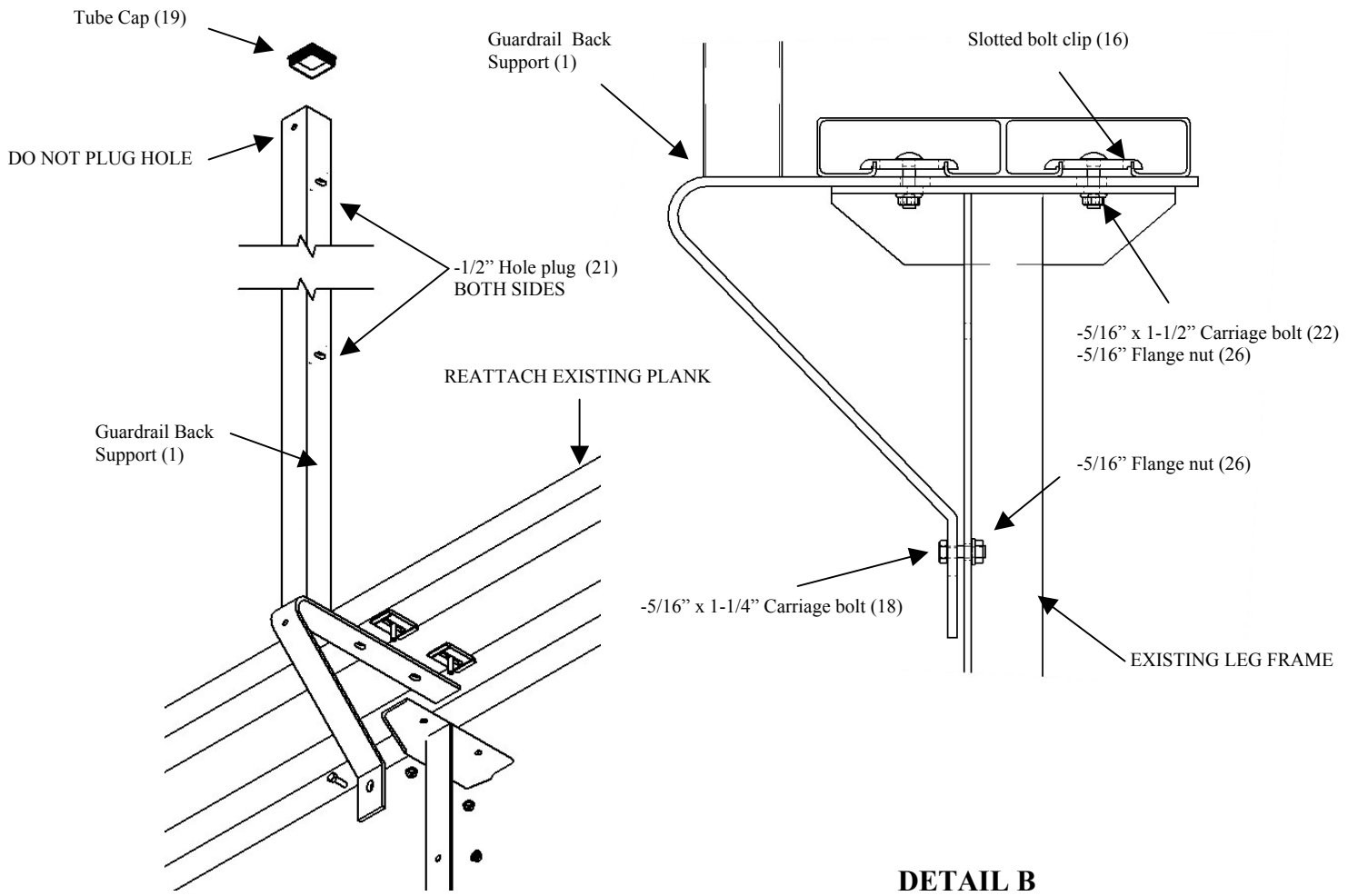
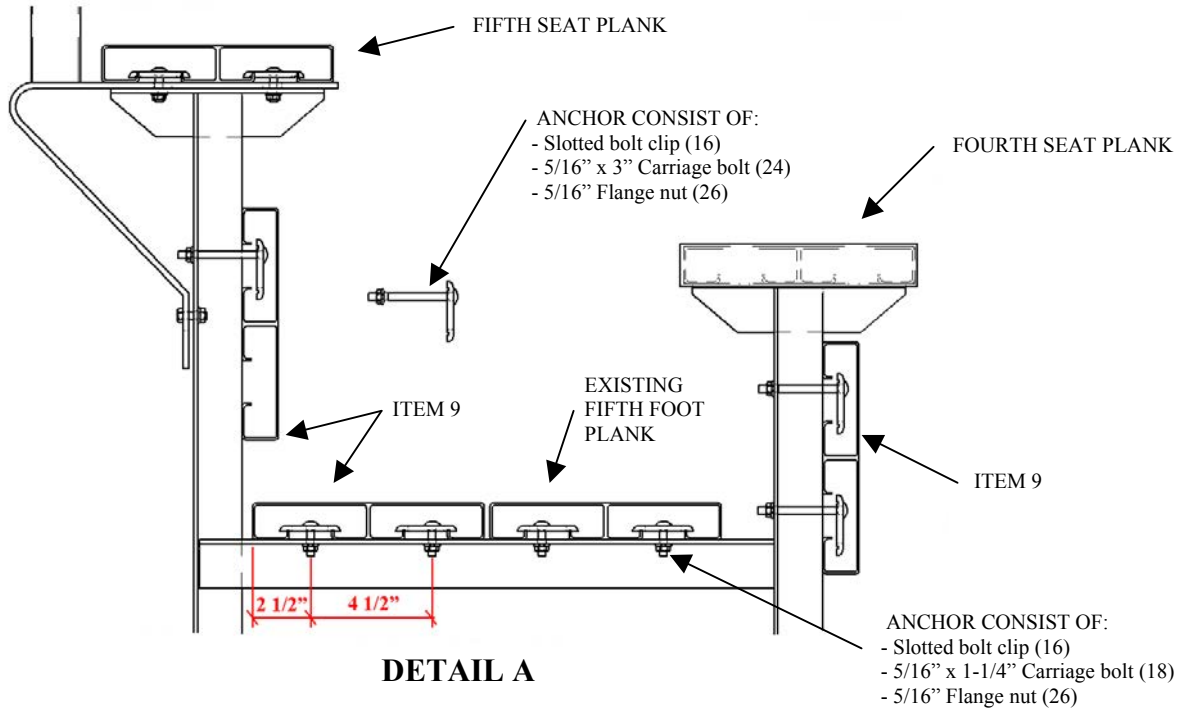
- 1/2" and 9/16" Box Wrench
- 1/2" and 9/16" Socket Wrench
- Flat blade Screwdriver
- 3/16" Allen Wrench
- 5/16" Allen Wrench
- Electric Drill with 3/8" bit & Philip Screwdriver
- Rubber Mallet
- Needle Nose Pliers

## Installation Instructions

### **a) Install Riser Planks and Additional Foot Planks:**

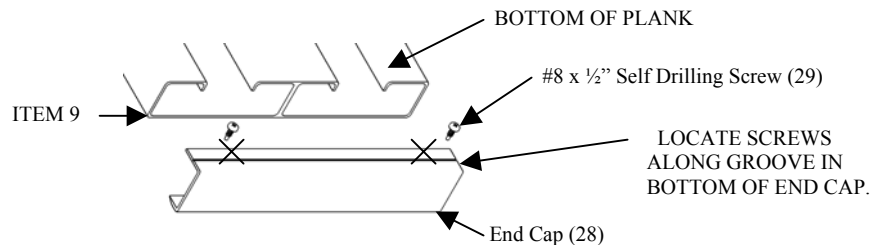
To bring your bleacher up to code, a double foot plank and back riser plank are required on the fourth and fifth rows. The existing foot planks on the fourth and fifth rows will need to be removed and repositioned to allow room for double planking.

- 1) Remove all hardware anchoring both fourth and fifth row foot planks. To improve access you can also remove the fifth row seat plank at this time (removal of fifth row seat plank will be required when installing the guardrail back supports (see step b).
- 2) Lay out both foot planks (9) on the fourth row support frame. New holes will need to be drilled if they don't already exist for the double planks. On one of the end frames measure out the required hole spacing. Drill the necessary 3/8" holes in each of the frame supports.
- 3) Install the end caps on the new planks, if not already installed (see step c).
- 4) Install the double foot planks using the hardware shown in Detail A.
- 5) Install the fourth row riser plank (9) by centering it vertically in the space between the foot plank and bottom edge of the seat plant. Drill one 3/8" hole, centered on the upper slot, in each vertical frame member. Anchor the riser plank using the hardware shown in Detail A.
- 6) Repeat steps 2 thru 5 for the fifth row.



**b) Install Guardrail Back Supports:**

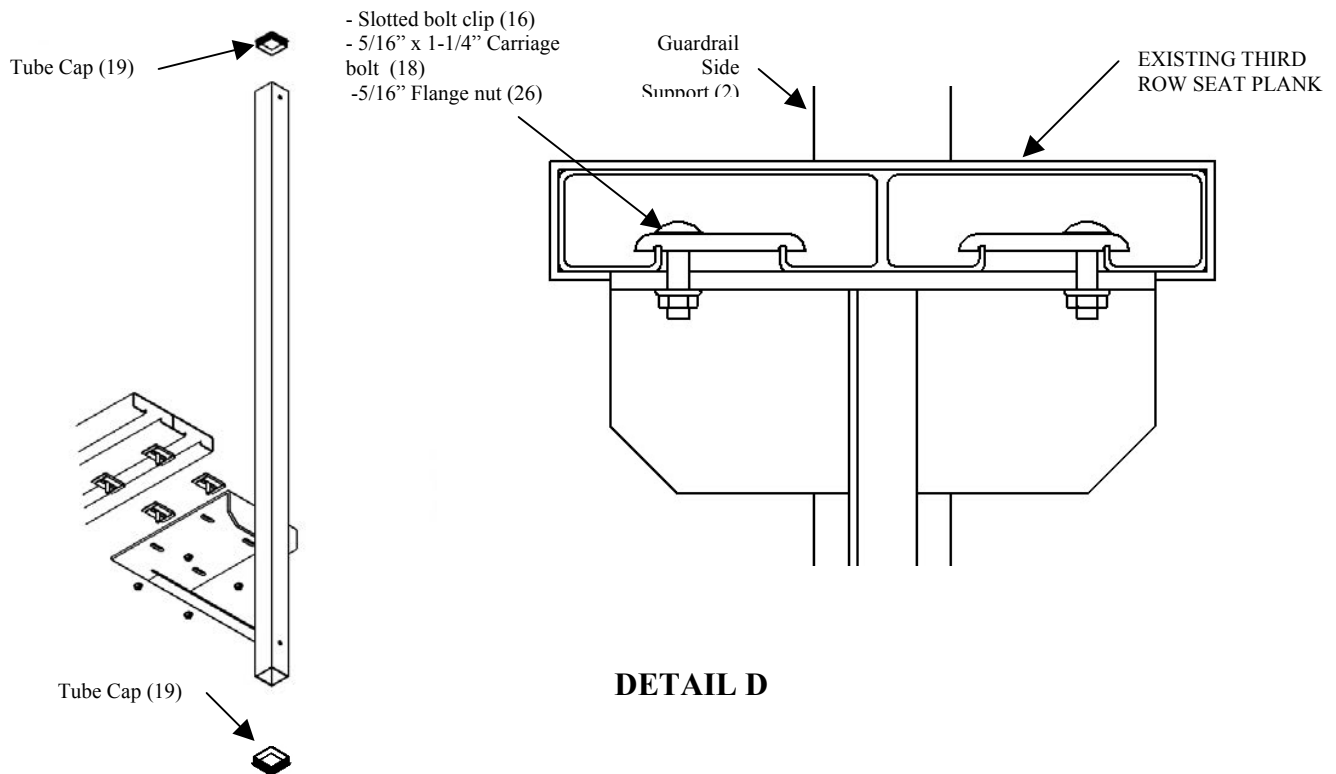
- 1) Remove all hardware anchoring the top seat plank (fifth row), if not already done. Insert mounting flange for guardrail back support (1) between seat plank and frame. Reinstall anchoring hardware as shown in Detail B - tighten only finger tight.
- 2) Install the hardware securing the vertical mounting flange of the guardrail back support (1) to the frame as shown in Detail B. Drill a 3/8" hole in the vertical frame member if needed.
- 3) Install remaining guardrail back supports (1) repeating steps 1 and 2.
- 4) Now tighten all hardware securing the guardrail back supports to the frame.
- 5) Insert the top cap (19) in the top of each back support (1).
- 6) Insert plastic plugs (21) to plug the unused holes in the back support (1) – see Detail B.



**DETAIL C**

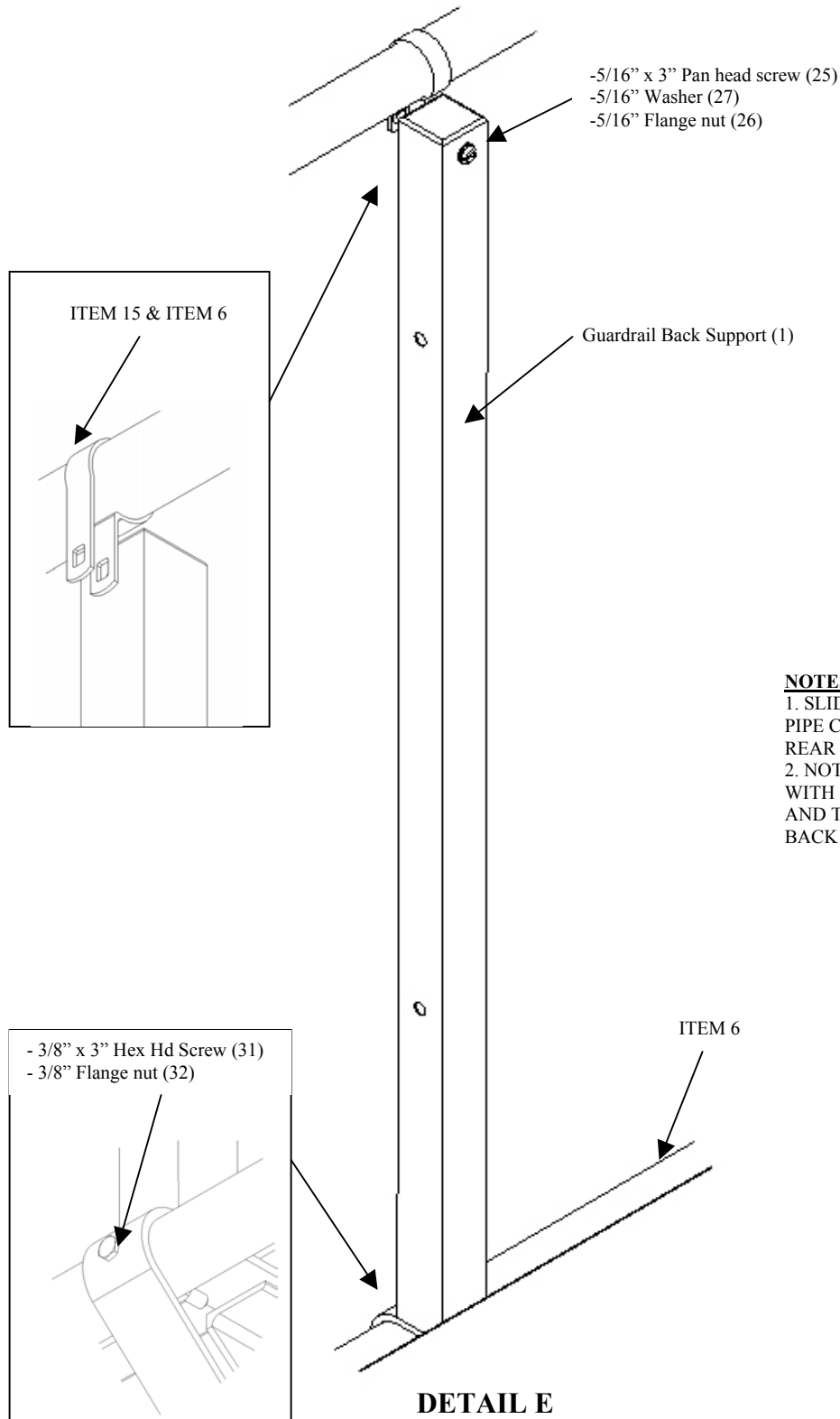
**c) Install Plank End Caps:**

- 1) Using a rubber mallet, install the end caps (28) over each end of the new planks (9). Secure the end caps in place using the self-threading pan head Philip screws (29). - See Detail C



**d) Install Guardrail Side Supports:**

- 1) Attach one guardrail side support (2) to the underside of the third seat plank, using the hardware shown in Detail D. Leave hardware finger tight to allow for future adjustment.
- 2) Install plastic cap (19) in the top and bottom of the vertical support.
- 3) Repeat step 1 for the other side of bleacher.



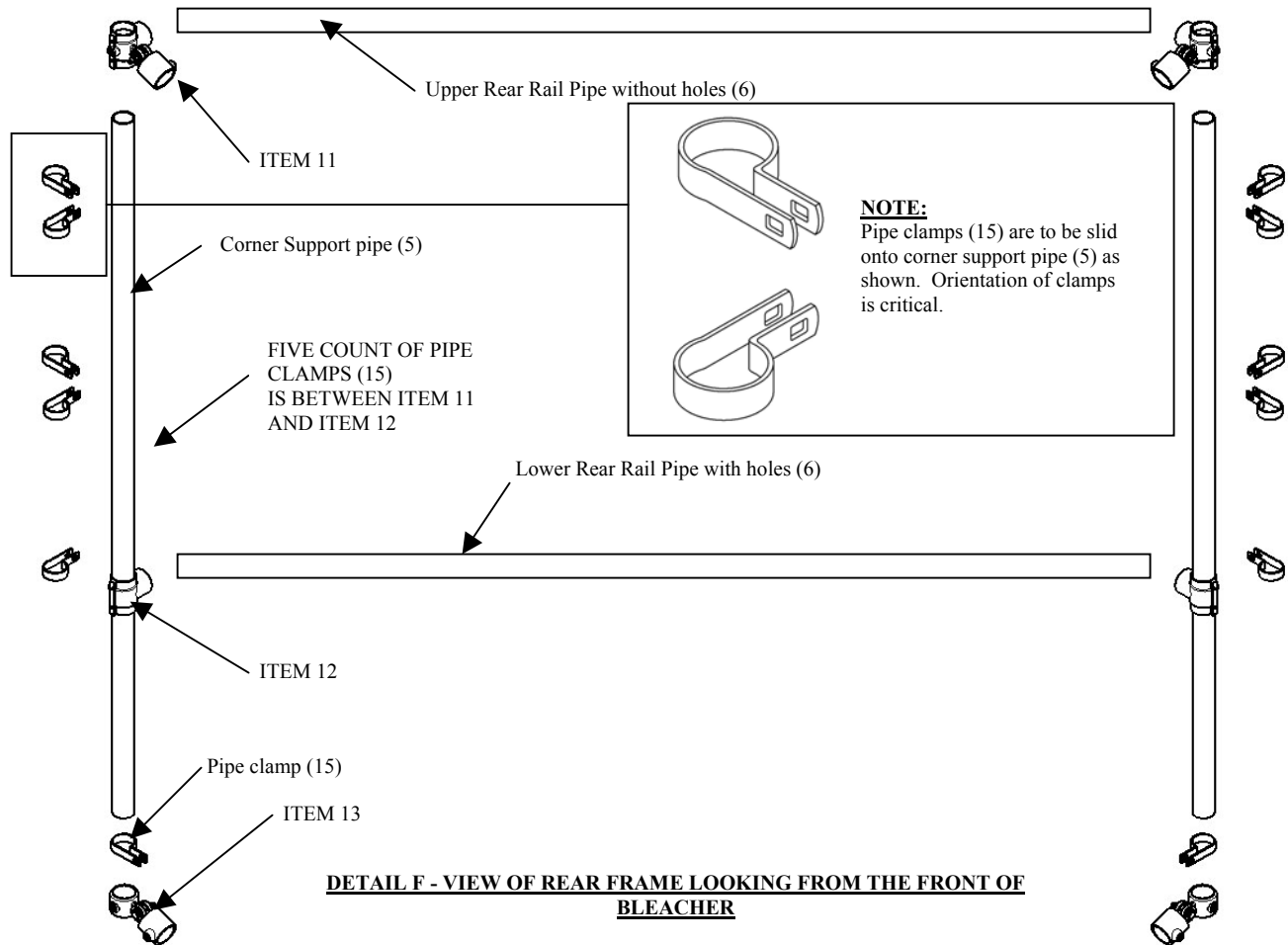
**NOTES:**

1. SLIDE THE CORRESPONDING NUMBER OF PIPE CLAMPS (15) (3 OR 4) ONTO THE TOP REAR SUPPORT PIPE (6) (PIPE W/O HOLES).
2. NOTE THE ORIENTATION OF THE CLAMPS, WITH THE TABS POINTING DOWNWARDS AND THE TANGENT SIDE TOWARDS THE BACK OF THE BLEACHER.

**e) Install Rear Support Pipes:**

- 1) Slide 3 or 4 pipe clamps (15) onto the top rear support pipe (6), (pipe without holes). Pay special attention to the orientation of the pipe clamps with respect to the tabs. The bottom pipe will have the tabs pointing up and the top pipe will have the tabs pointing down. In all cases, the tangent side will be towards the support. (see detail above)

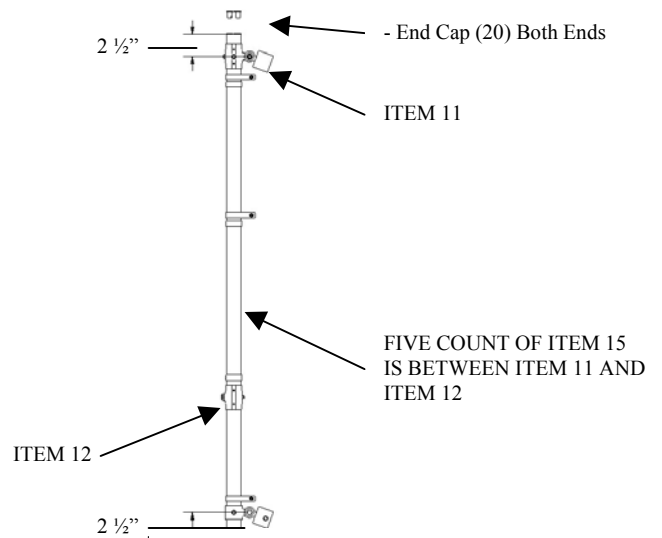
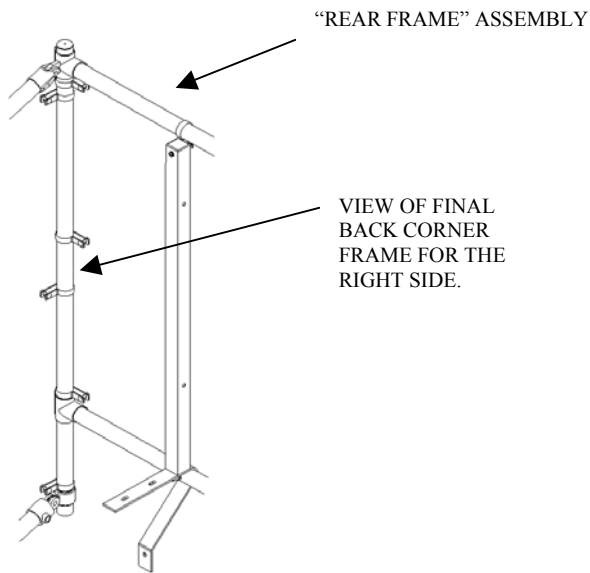
- 2) Attach the top rear support pipe (6) using hardware as shown in Detail E. Position top support pipe so it is centered on bleacher and equal distance from each edge or end back supports.
- 3) Slide lower rear support pipe (6), (pipe with holes) through the bottom brackets of each back support (1). Line up holes in bracket and install hardware as shown in Detail E (if holes do not line up, new holes will need to be drilled, use 7/16" drill bit).



**f) Assemble Rear Corner Pipe:**

- 1) Assemble the rear corner support pipes as shown. Slide the corresponding pipe clamps and fittings onto the corner support pipe (5), 67" long. Pay special attention to the orientation of the pipe clamps (15). Temporarily secure the fittings in place by lightly tightening the setscrews. Mirror the assembly for the other side of the enclosure.





- 2) Attach the corner assembly onto the back support pipes as shown above. Make necessary adjustments to the fittings (11, 12) to fully assemble. Adjust the vertical position of the corner pipe (5) to achieve the dimensions shown. (Top of pipe to center of corner fitting is 2 1/2") and the bottom of pipe to center of adjustable tee is 2 1/2"). Fully tighten all screws in fittings (11, 12).
- 3) Install pipe cap (20) in the top of the corner pipe (5).
- 4) Repeat step for other side.

Bottom Side Support Pipe (3)

Top Side Support Pipe (3)

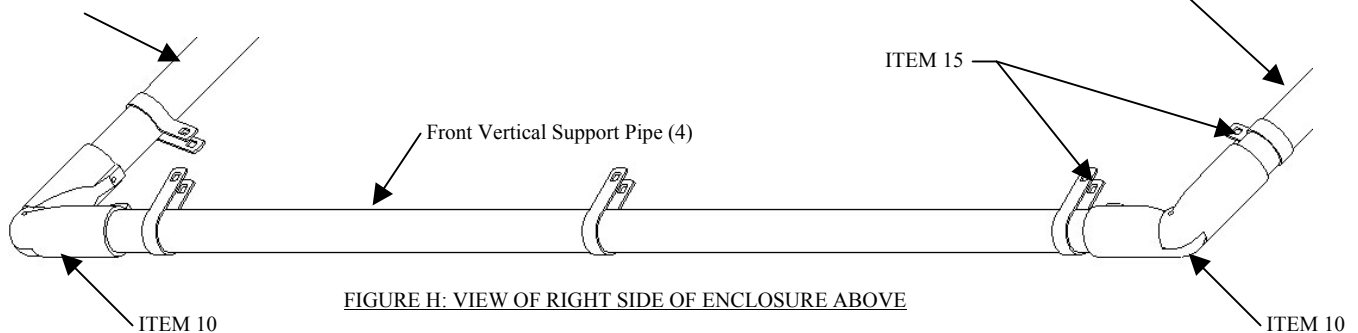
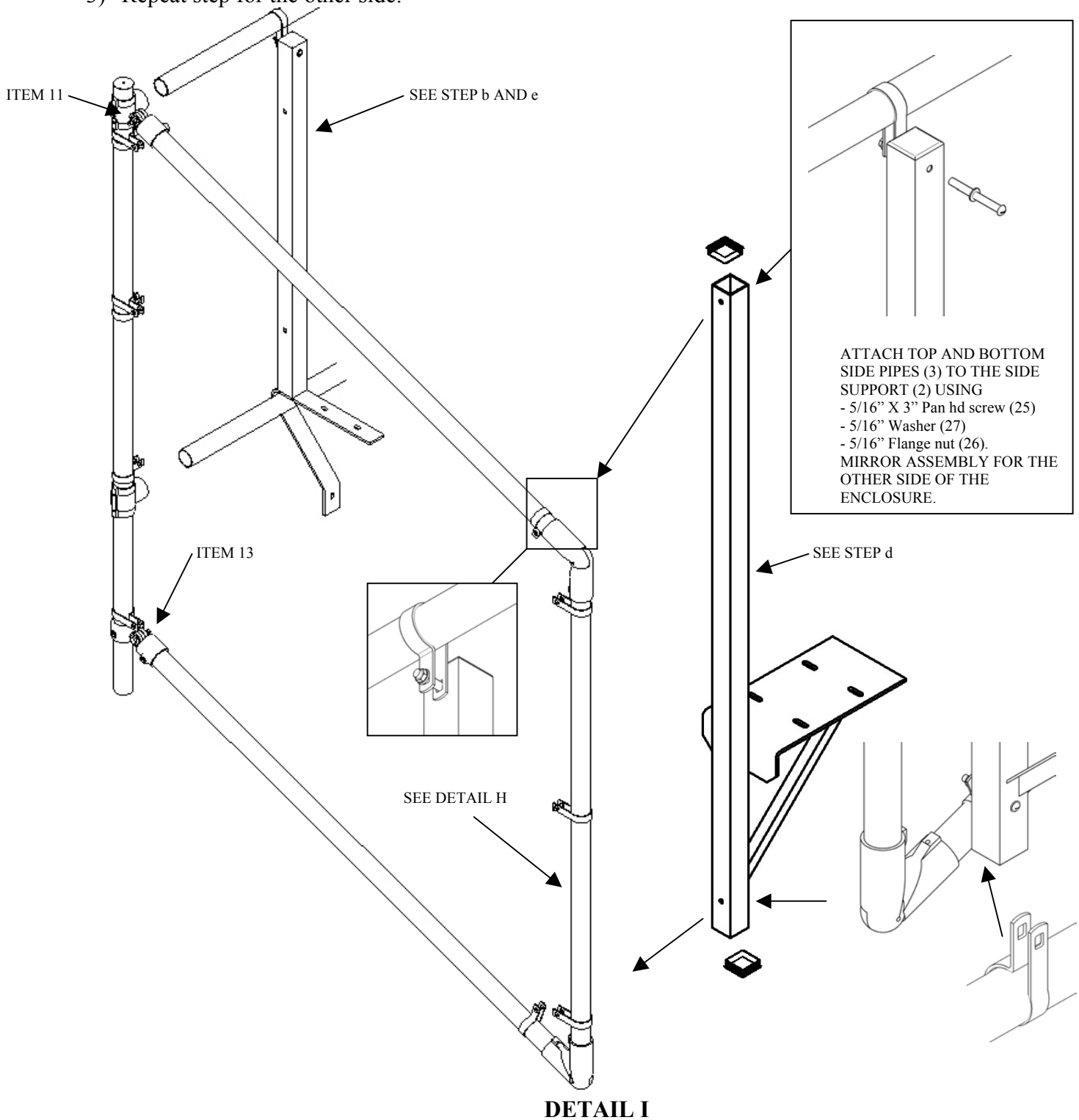


FIGURE H: VIEW OF RIGHT SIDE OF ENCLOSURE ABOVE

**g) Assemble Side Frames:**

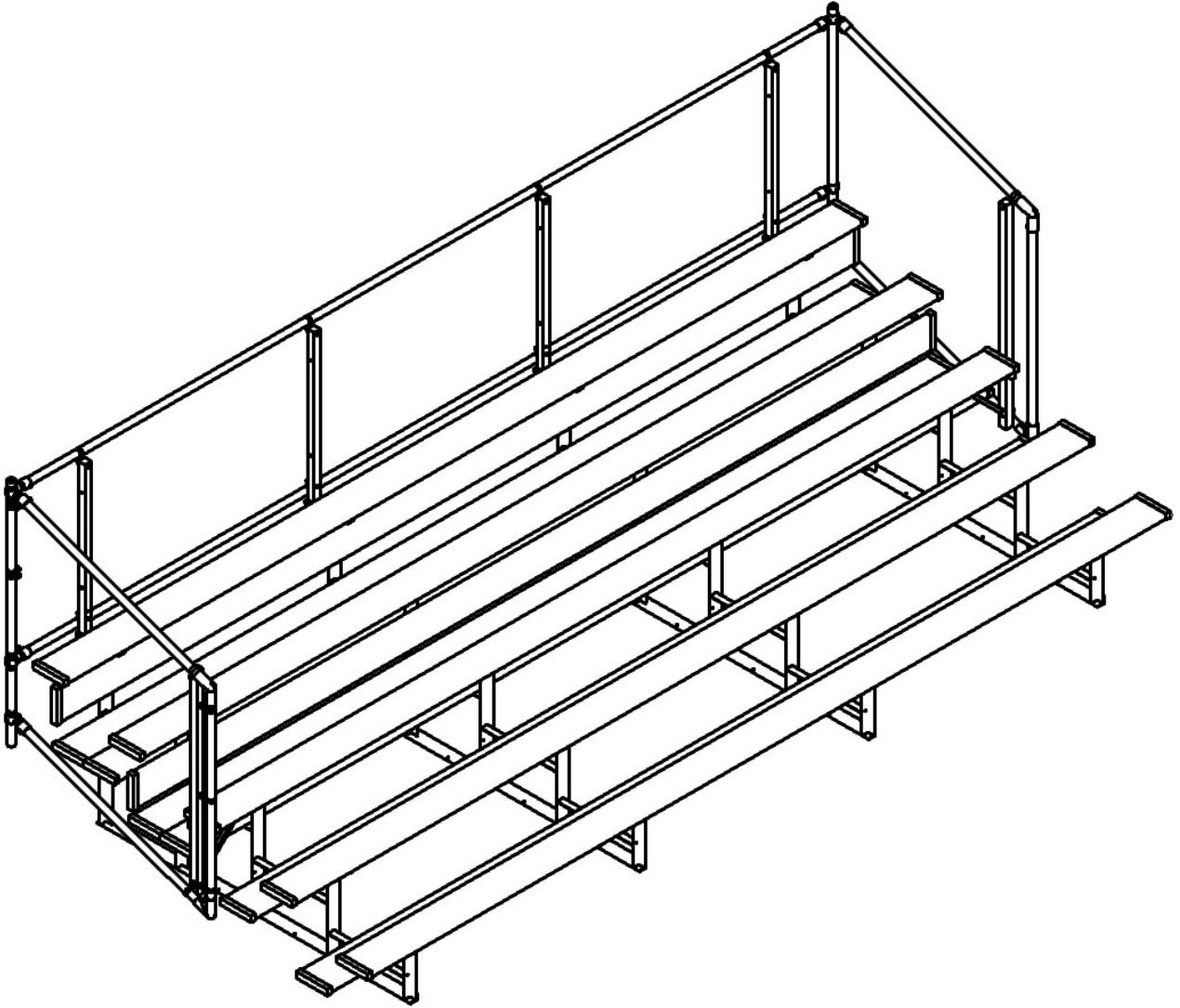
- 1) Layout one 55-7/8" (4) and two 60" (3) long pipes as shown in figure H. Slide three pipe clamps (15) onto the 55-5/8" (4) pipe as shown. Slide one pipe clamp (15) onto each of the 60" (3) pipes as shown. Pay special attention to the orientation of the pipe clamps with respect to the tangent side – orient pipe clamps on the vertical pipe (4) with the tangents to outside of bleacher, and orient pipe clamps on the top and bottom pipes to the inside of the bleacher.
- 2) Insert all three pipes into the two adjustable hinge fittings (10) as shown. Loosen the setscrew

- in the hinge as needed to assemble. Tighten the setscrews securing the fittings to the pipes.
- 3) Repeat step for the other side.

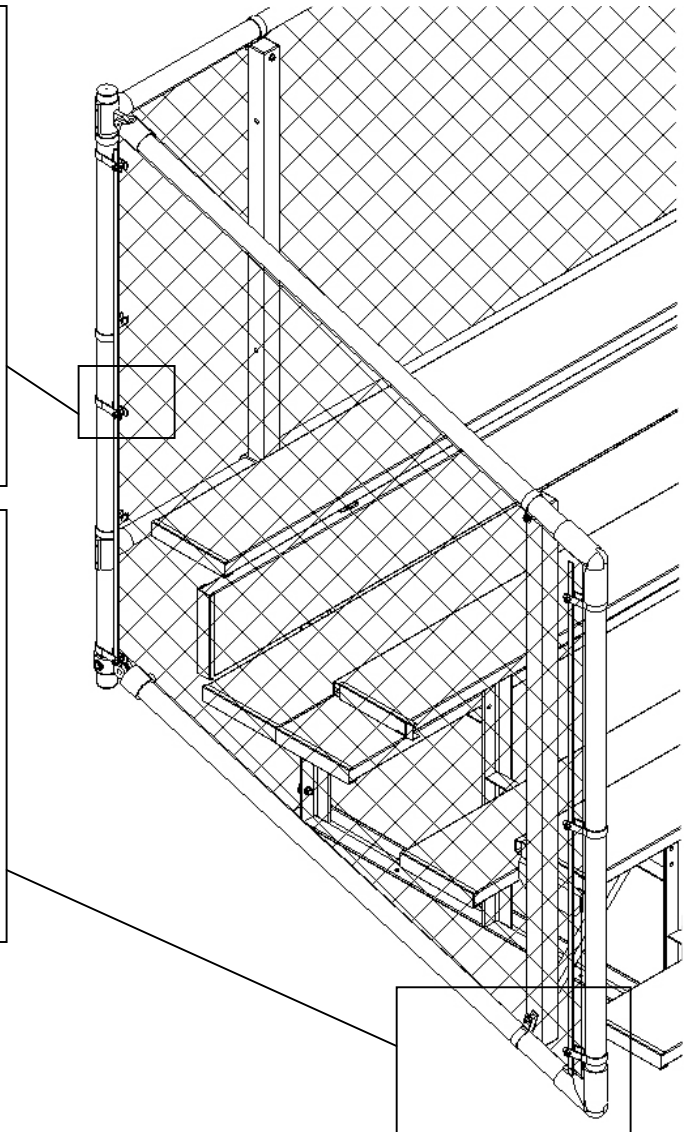
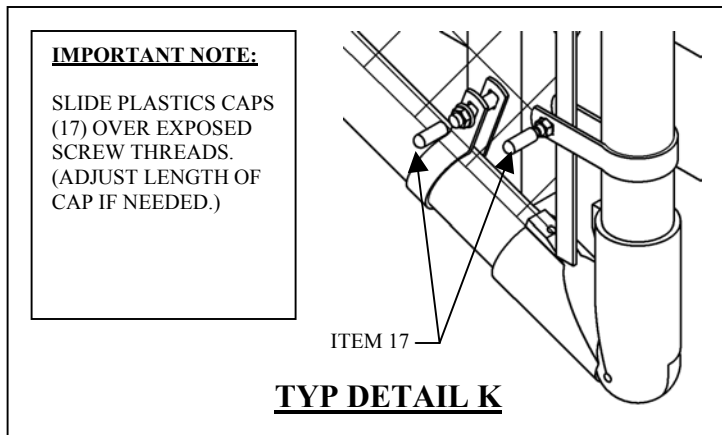
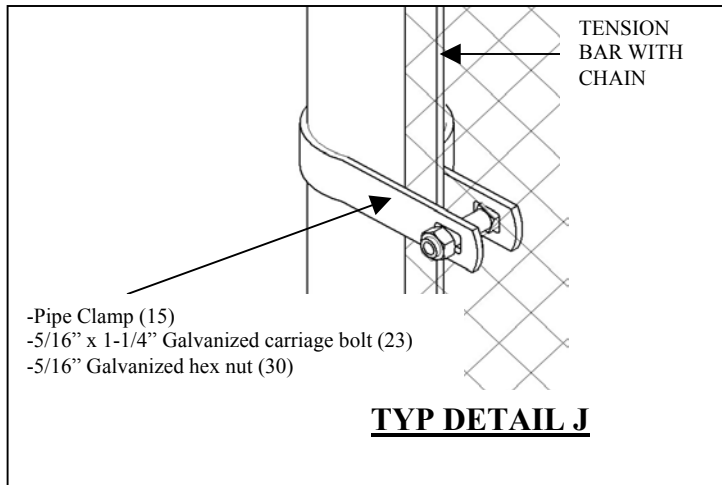


**h) Install the Side Frames:**

- 1) Insert the top and bottom pipes of the side frame into the hinge fittings (11, 13) attached to the corner assembly.
- 2) Attach both clamps that are on the top and bottom pipes of the side frame to the guardrail side support (2) using hardware as shown in Detail I.
- 3) Tighten all hardware and setscrews.
- 4) Repeat steps for the other side.

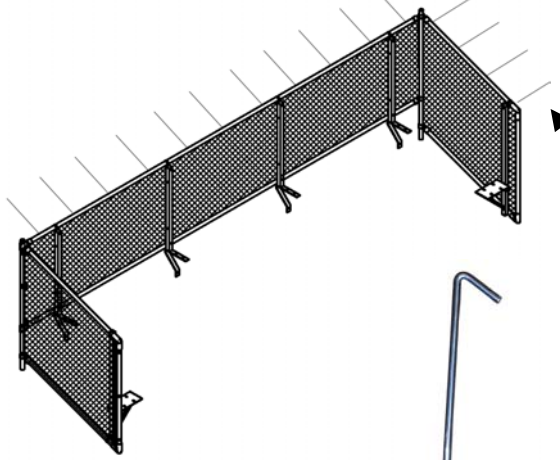


**Once the enclosure frame is fully assembled and all pipes are aligned and square, tighten all setscrews.**

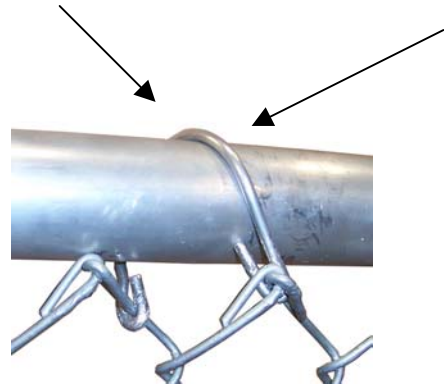


**i) Install Chain Link Panels:**

- 1) Attach the pre-fabricated rear chain link panel (7) to the assembled framework. Start at one end and attach to the three pipe clamps (15) as shown in Detail "J". Stretch panel and connect on opposite end, the same as Detail "J", you may have to use a pipe for leverage to stretch.
- 2) Attach the pre-fabricated side chain link panels (8) to the side frames. Attach as shown on Detail "J" using hardware (23, 30). Stretch panel as needed and connect on opposite end.
- 3) Slide plastic caps (17) over the exposed screw threads as shown in Detail "K".
- 4) Secure the top and bottom edges of the chain link to the support pipes using the aluminum rail ties (14) as shown in Detail "L". Rail ties should be spaced approximately every 18". For best results; using a needle nose pliers, place a bend in the tie approximately 1/2" from the straight end. Crimp this end over one leg in the edge of the chain link. Securely wrap the tie around the support pipe and crimp the pre-bend end over and adjoining leg of the chain link.



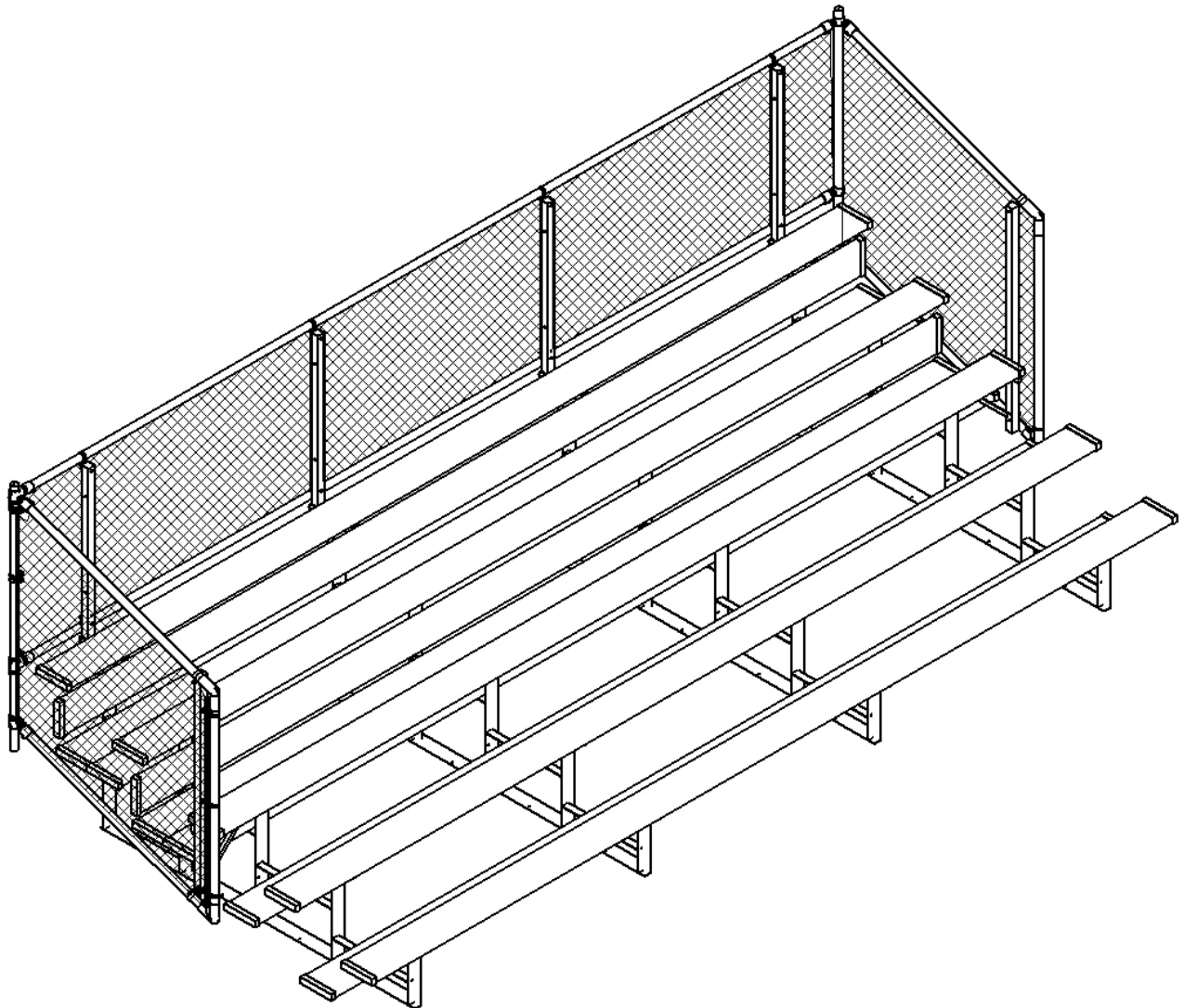
RAIL TIES  
TYP FOR  
TOP AND  
BOTTOM  
OF PIPES



**TYP DETAIL L**

RAIL TIE  
(ITEM 14)

ATTACH RAIL TIE (14) AROUND  
TWO LEGS OF THE CHAIN LINK  
WRAPPING TIGHTLY AROUND  
SUPPORT PIPE



--- BLCH5CUE 15 / BLCH5CUE 21 ---  
(Universal Enclosure For Five-Row Bleacher)  
Installation Record

**Installer** - please provide the following information and fax a copy to (860) 440-0628:

Installer Name:	_____
Phone #:	_____
Date:	_____

G. C. Name:	_____
Phone #:	_____

Facility Name: (in which this system was installed)	
Address:	_____
	_____
	_____
Contact Name: (facility representative)	
Phone #:	_____

Call Jaypro Sports Equipment at 1-800-243-0533 during  
regular business hours for technical support.

[www.jaypro.com](http://www.jaypro.com)

[This is the final page and the end of the installation portion of this manual.]