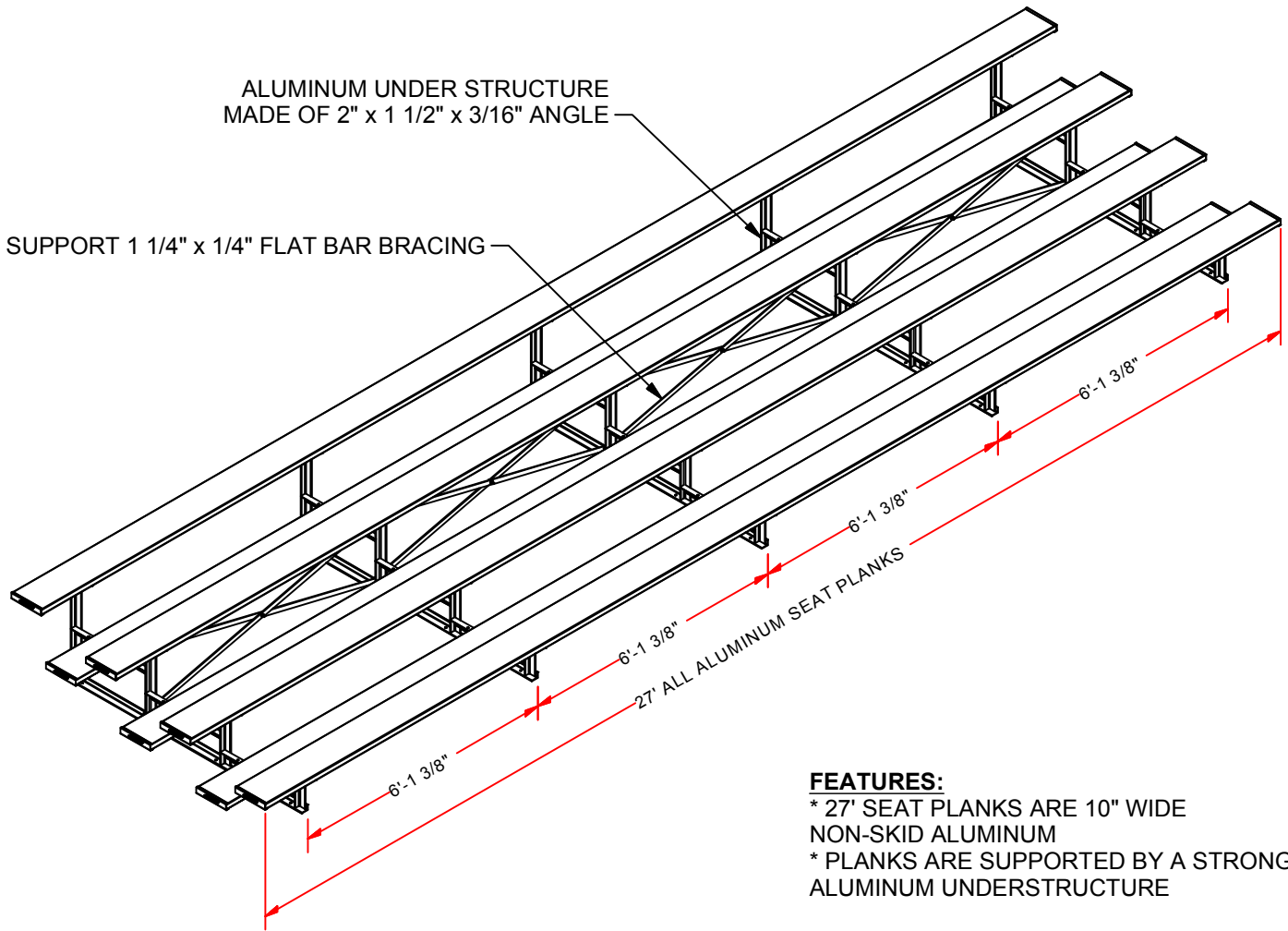


# BLCH-427AL

## 27' ALUMINUM BLEACHER

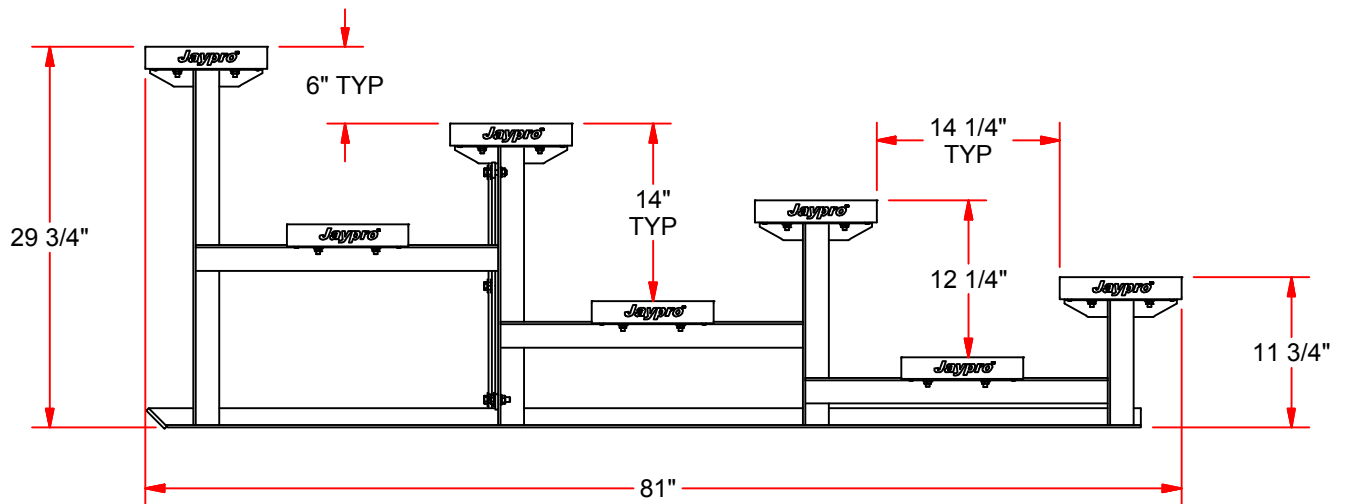


**FEATURES:**

- \* 27' SEAT PLANKS ARE 10" WIDE NON-SKID ALUMINUM
- \* PLANKS ARE SUPPORTED BY A STRONG, ALUMINUM UNDERSTRUCTURE

**OPTIONS:**

- \* CUSTOM POWDER COATED COLORS



| REV. | DESCRIPTION     | DATE | BY |
|------|-----------------|------|----|
| -    | INITIAL RELEASE | 1/11 | MT |
|      |                 |      |    |
|      |                 |      |    |

**BLCH-427AL**  
27' ALUMINUM BLEACHER

THIS PRINT IS THE PROPERTY OF JAYPRO SPORTS, LLC.  
AND MAY NOT BE REPRODUCED WITHOUT WRITTEN PERMISSION

www.jaypro.com



FAX: 860.444.1779 (SALES)  
860.440.0628 (ENG.)

PHONE: 800.243.0533 (TOLL FREE)  
860.447.3001 (LOCAL)

JAYPRO SPORTS, LLC, 976 HARTFORD TURNPIKE, WATERFORD, CT 06385 USA

|  |                          |
|--|--------------------------|
| DRAWING NAME / PART NUMBER:<br><b>BLCH-427AL</b> |                          |
| DRAWN BY:<br>Moune T.                            | ISSUE DATE:<br>1/25/2011 |
| CHK'D BY:<br>WVB                                 | CHK'D DATE:<br>1/25/2011 |
| SHEET:<br>1 OF 1                                 | REV.:<br>-               |

COPYRIGHT 2006  
JAYPRO SPORTS, LLC.  
ALL RIGHTS RESERVED