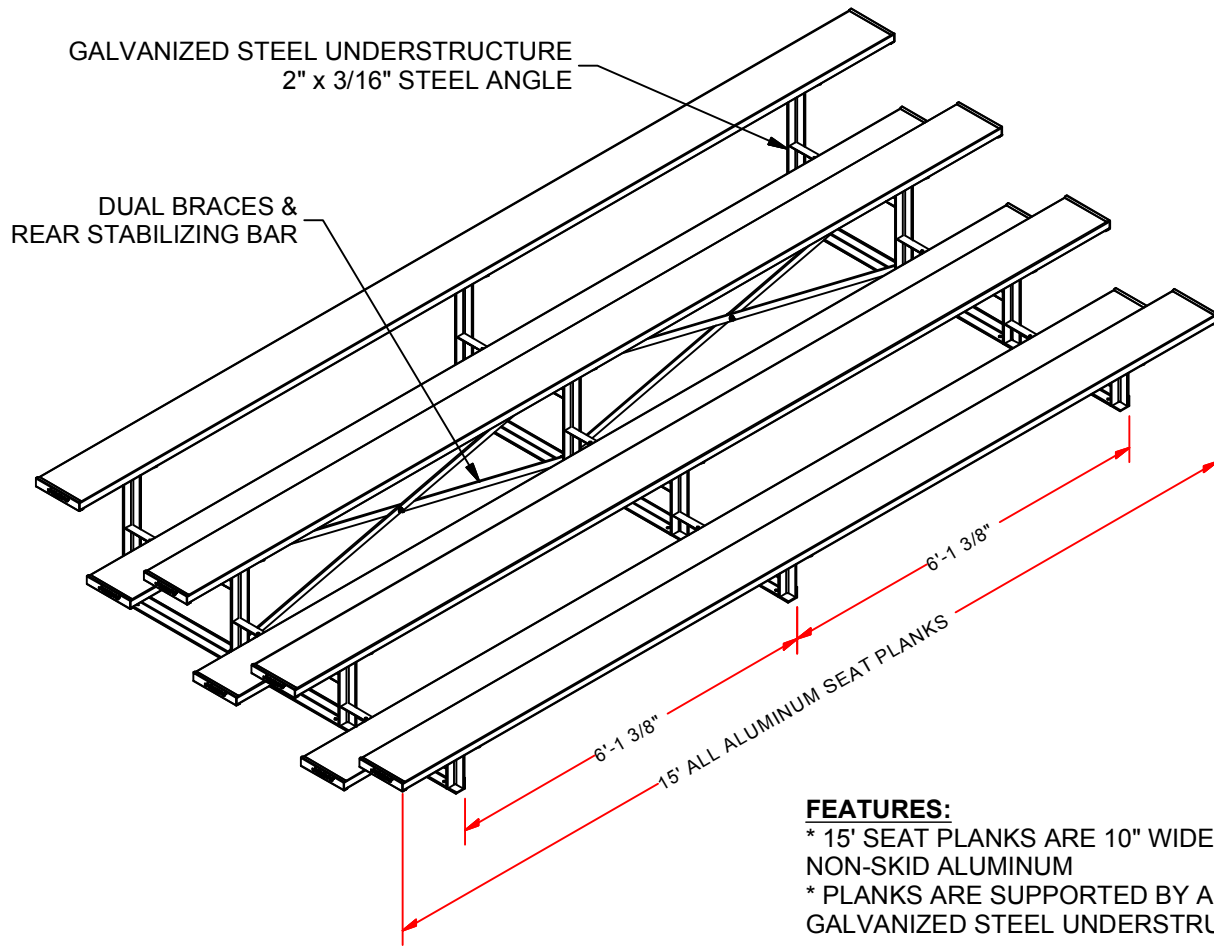


BLCH-4

15' ALUMINUM SEAT W/ GALVANIZED STEEL UNDERSTRUCTURE

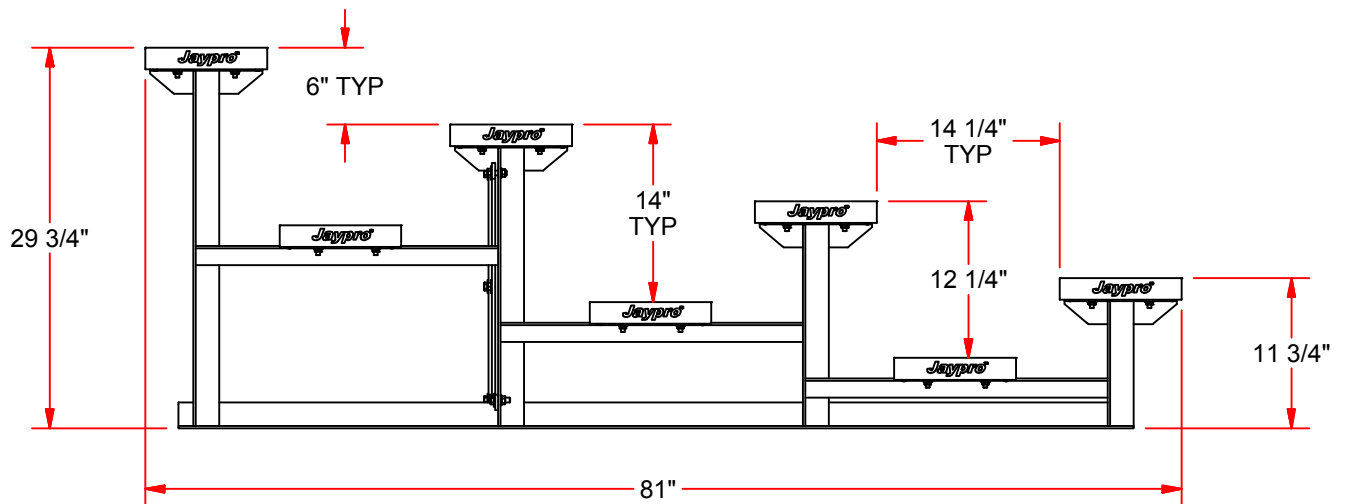


FEATURES:

- * 15' SEAT PLANKS ARE 10" WIDE NON-SKID ALUMINUM
- * PLANKS ARE SUPPORTED BY A STRONG GALVANIZED STEEL UNDERSTRUCTURE

OPTIONS:

- * CUSTOM POWDER COATED COLORS



REV.	DESCRIPTION	DATE	BY
-	INITIAL RELEASE	1/11	MT

COPYRIGHT 2006
JAYPRO SPORTS, LLC.
ALL RIGHTS RESERVED

BLCH-4
15' ALUMINUM SEAT W/
GALVANIZED STEEL UNDERSTRUCTURE

THIS PRINT IS THE PROPERTY OF JAYPRO SPORTS, LLC.
AND MAY NOT BE REPRODUCED WITHOUT WRITTEN PERMISSION

www.jaypro.com



FAX: 860.444.1779 (SALES)
860.440.0628 (ENG.)

PHONE: 800.243.0533 (TOLL FREE)
860.447.3001 (LOCAL)

JAYPRO SPORTS, LLC, 976 HARTFORD TURNPIKE, WATERFORD, CT 06385 USA

DRAWING NAME / PART NUMBER: BLCH-4	
DRAWN BY: Moune T.	ISSUE DATE: 1/25/2011
CHK'D BY: WVB	CHK'D DATE: 1/25/2011
SHEET: 1 OF 1	REV: -