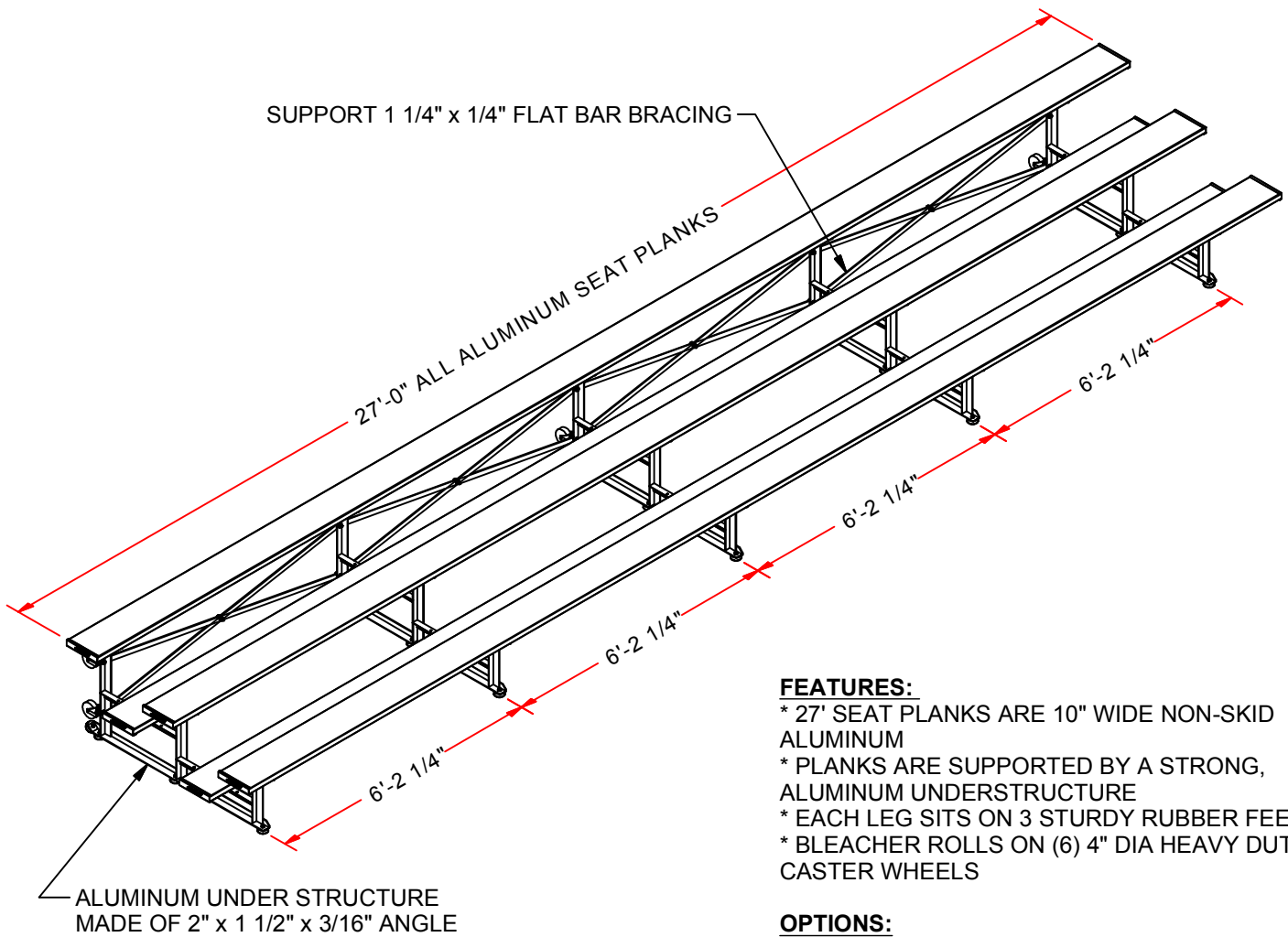


# BLCH-327TRG

## 27' TIP & ROLL BLEACHER

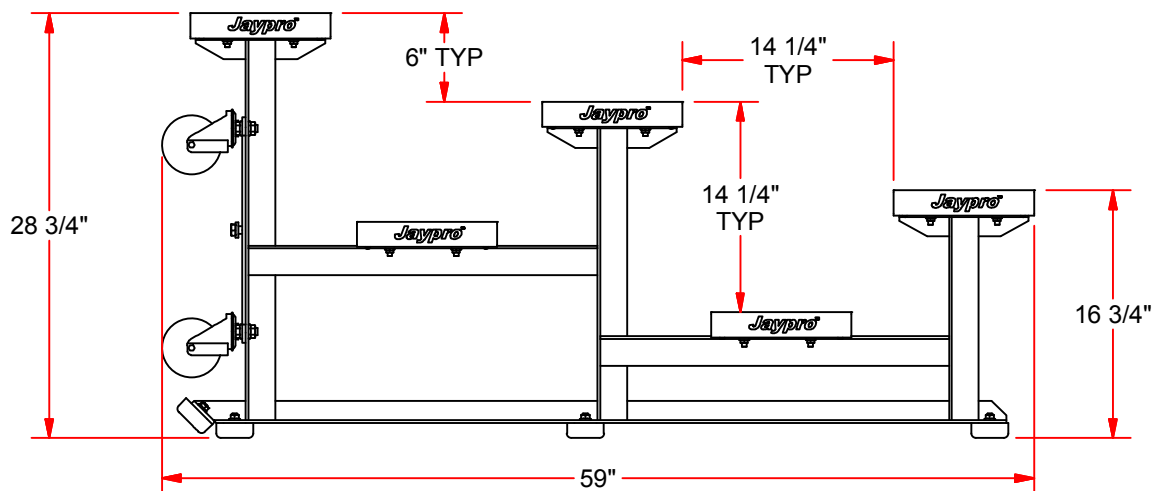


### FEATURES:

- \* 27' SEAT PLANKS ARE 10" WIDE NON-SKID ALUMINUM
- \* PLANKS ARE SUPPORTED BY A STRONG, ALUMINUM UNDERSTRUCTURE
- \* EACH LEG SITS ON 3 STURDY RUBBER FEET
- \* BLEACHER ROLLS ON (6) 4" DIA HEAVY DUTY CASTER WHEELS

### OPTIONS:

- \* CUSTOM POWDER COATED COLORS



REV.	DESCRIPTION	DATE	BY
-	INITIAL RELEASE	7/7	MT

COPYRIGHT 2006  
JAYPRO SPORTS, LLC.  
ALL RIGHTS RESERVED

**BLCH-327TRG**  
27' TIP & ROLL BLEACHER

THIS PRINT IS THE PROPERTY OF JAYPRO SPORTS, LLC.  
AND MAY NOT BE REPRODUCED WITHOUT WRITTEN PERMISSION

www.jaypro.com



FAX:  
860.444.1779 (SALES)  
860.440.0628 (ENG.)

PHONE:  
800.243.0533 (TOLL FREE)  
860.447.3001 (LOCAL)

JAYPRO SPORTS, LLC, 976 HARTFORD TURNPIKE, WATERFORD, CT 06385 USA

DRAWING NAME / PART NUMBER:  
**BLCH-327TRG**

DRAWN BY: Moune T.	ISSUE DATE: 7/7/2010
CHK'D BY: WVB	CHK'D DATE: 7/7/2010
SHEET: 1 OF 1	REV. -