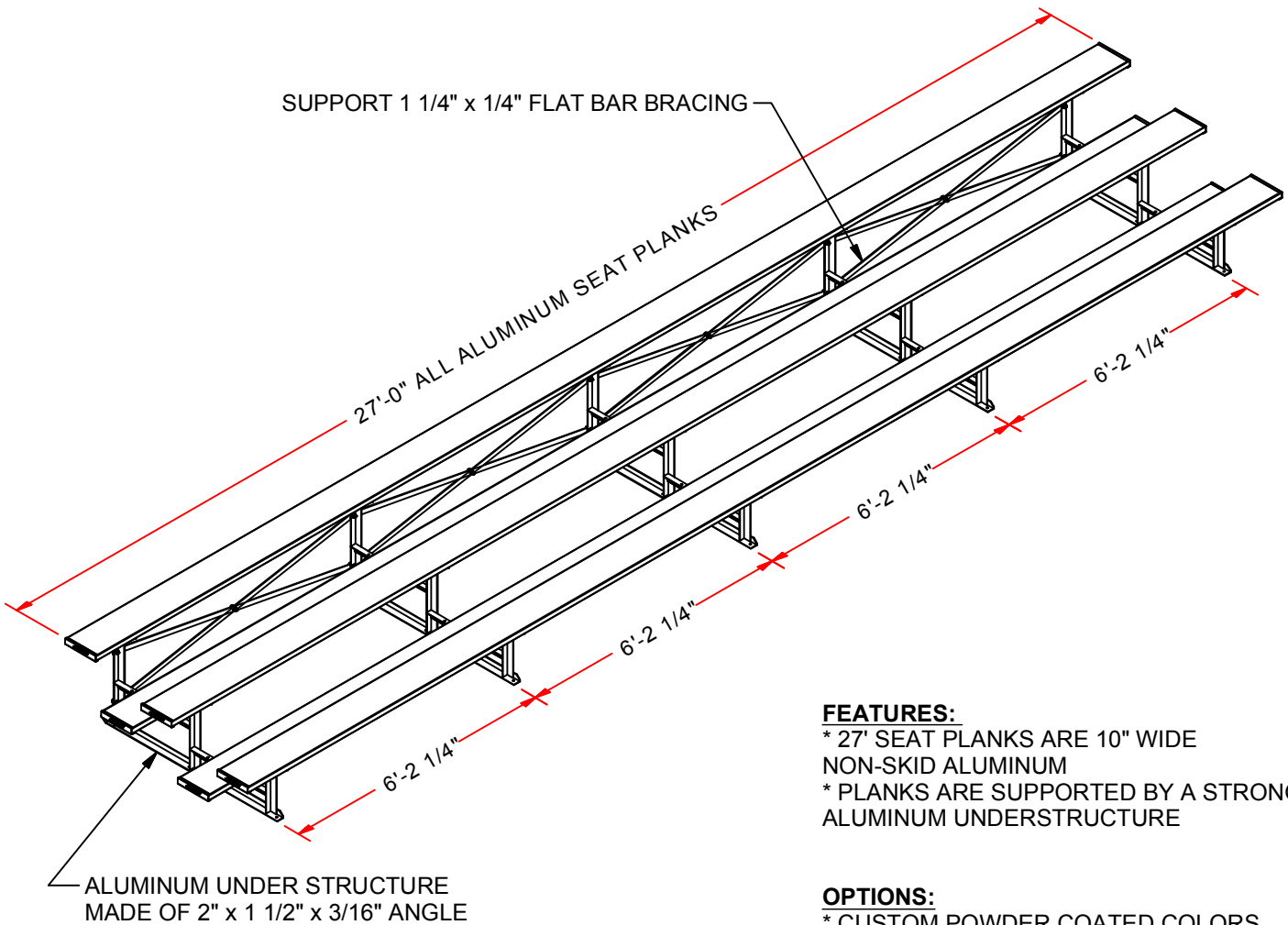


# BLCH-327AL

## 27' ALUMINUM BLEACHER

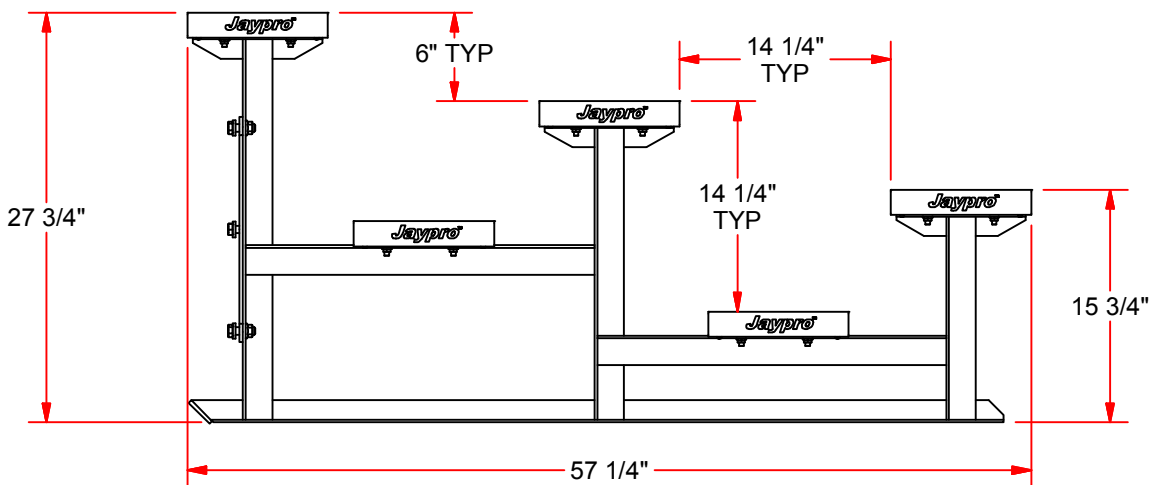


**FEATURES:**

- \* 27' SEAT PLANKS ARE 10" WIDE NON-SKID ALUMINUM
- \* PLANKS ARE SUPPORTED BY A STRONG, ALUMINUM UNDERSTRUCTURE

**OPTIONS:**

- \* CUSTOM POWDER COATED COLORS



REV.	DESCRIPTION	DATE	BY
-	INITIAL RELEASE	7/7	MT

COPYRIGHT 2006  
JAYPRO SPORTS, LLC.  
ALL RIGHTS RESERVED

BLCH-327AL

27' ALUMINUM BLEACHER

THIS PRINT IS THE PROPERTY OF JAYPRO SPORTS, LLC.  
AND MAY NOT BE REPRODUCED WITHOUT WRITTEN PERMISSION

www.jaypro.com



FAX: 860.444.1779 (SALES)  
 860.440.0628 (ENG.)

PHONE: 800.243.0533 (TOLL FREE)  
 860.447.3001 (LOCAL)

JAYPRO SPORTS, LLC, 976 HARTFORD TURNPIKE, WATERFORD, CT 06385 USA

DRAWING NAME / PART NUMBER: <b>BLCH-327AL</b>	
DRAWN BY: Moune T.	ISSUE DATE: 7/7/2010
CHK'D BY: WVB	CHK'D DATE: 7/7/2010
SHEET: 1 OF 1	REV.: -