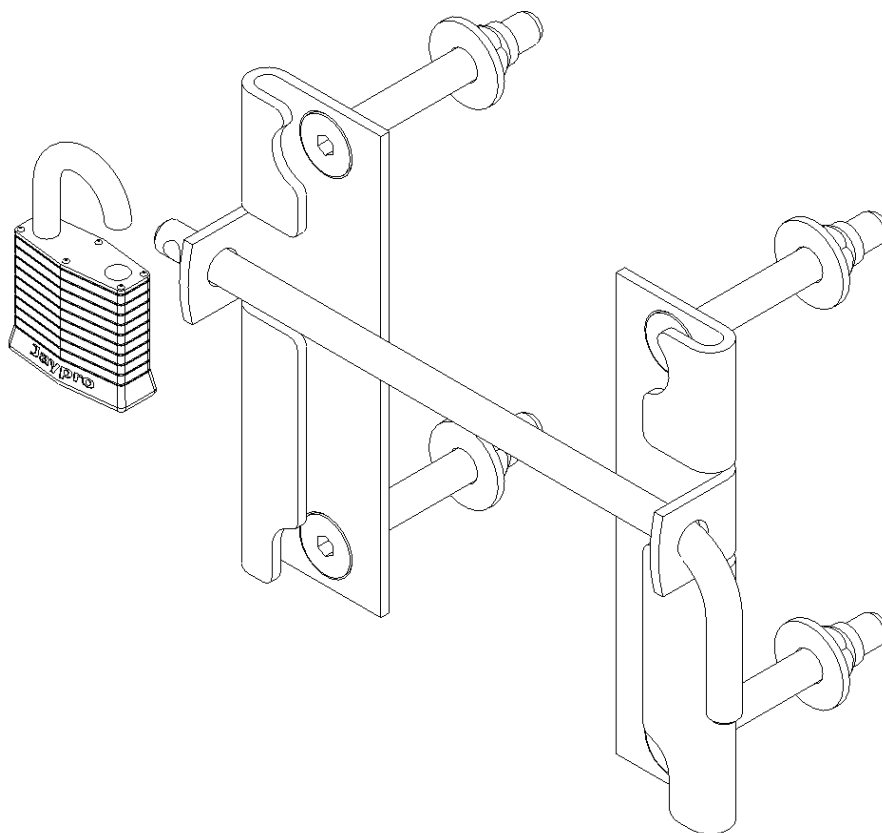


-- GAK-5 --
REMOVABLE GOAL BRACKET KIT
Installation Instructions



Call Jaypro Sports Equipment at 1-800-243-0533
during regular business hours for technical support.

www.jaypro.com

JAYPRO SPORTS
GAK-5, REMOVABLE GOAL BRACKET KIT

IMPORTANT NOTICE:

- 1) BEFORE EACH USE CHECK EQUIPMENT FOR PROPER CONNECTING HARDWARE AND STRUCTURAL INTEGRITY. REPLACE DAMAGED OR MISSING HARDWARE IMMEDIATELY.
- 2) USE OF THIS EQUIPMENT OTHER THAN INTENDED, MAY BE HAZARDOUS.
- 3) ALTERATION OR MODIFICATION OF THIS EQUIPMENT MAY BE HAZARDOUS AND RESULT IN INJURY. FOR REPAIR OR REPLACEMENT, CONTACT YOUR DEALER OR JAYPRO SPORTS.

ASSEMBLY INSTRUCTIONS

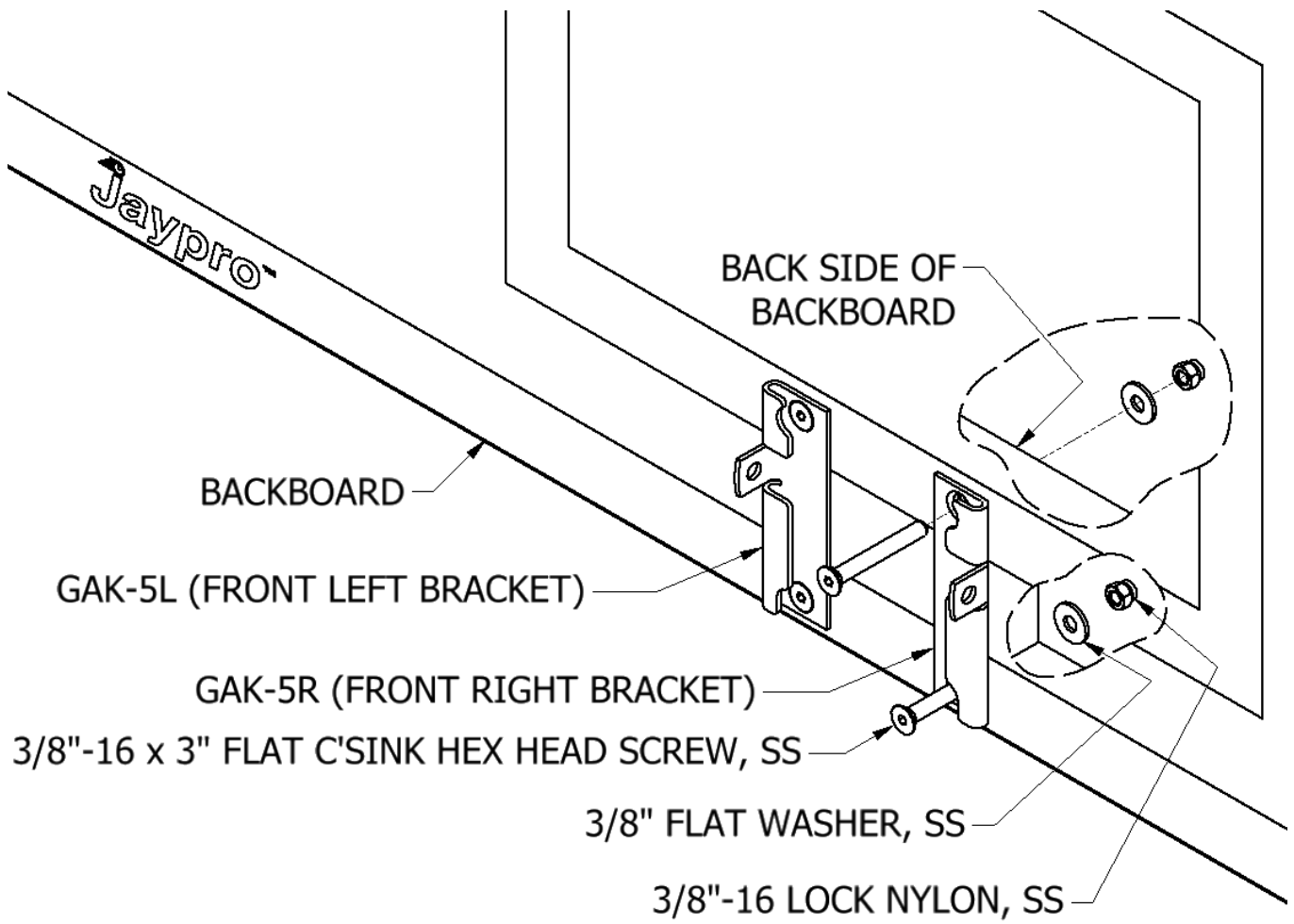
TOOLS REQUIRED:

- (1) 7/32" Allen Wrench
- (1) 9/16" Socket Wrench
- (1 or 2) 12 FT Stepladder(s)

- Unpack all parts and check against parts list to ensure that all have been included.
- Inspect all parts for damage. Report any damages to the trucking company.

1	1	GAK-5R	FRONT RIGHT BRACKET
2	1	GAK-5L	FRONT LEFT BRACKET
3	1	GAK-ROD	GOAL MOUNT HANDLE
4	1	HM6100	MASTER ECON LOCK KEYED ALIKE
5	4	HN5003	3/8"-16 LOCK NYLON, SS
6	4	HS5127	3/8"-16 x 3" FLAT C'SINK HEX HEAD SCREW, SS
7	4	HW5026	3/8" FLAT WASHER, SS
ITEM	QTY	PART #	DESCRIPTION

- 1) Safely secure the backboard and removed the existing goal.
- 2) Mount the GAK-5 brackets onto the backboard with the four 3/8"-16 x 3" long flat hex head countersink bolts as shown below.



- 3) Slide your existing rim into the GAK-5 and lock the rim in place with the GAK-ROD, for further security lock the end of the GAK-ROD with a padlock.

