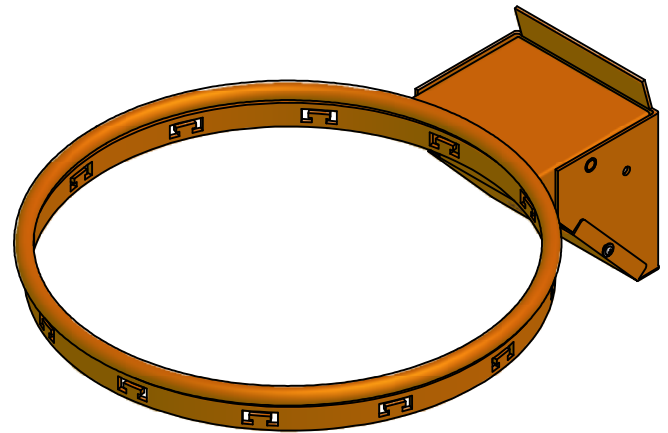
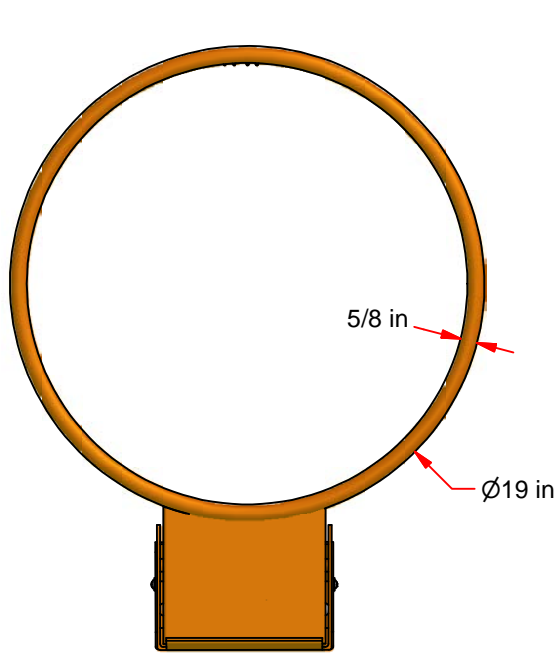
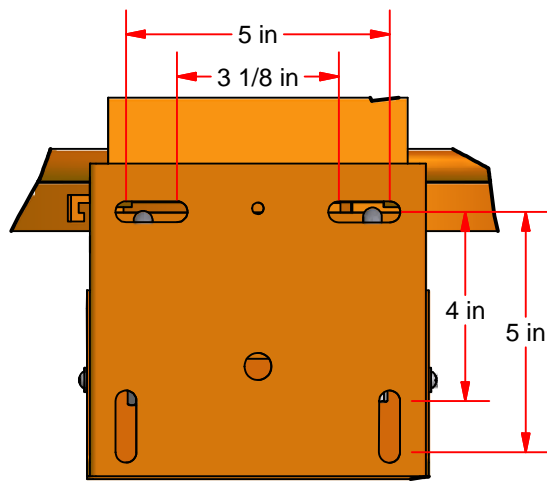
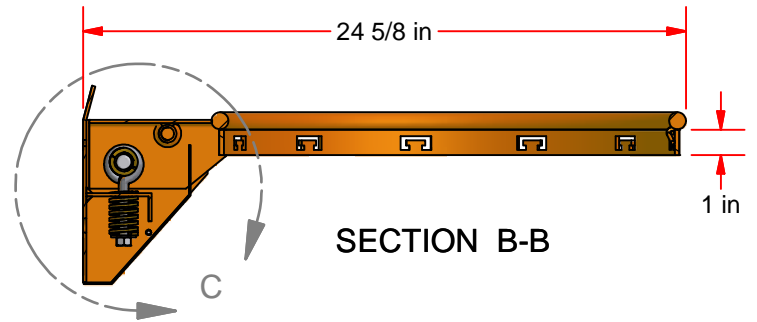
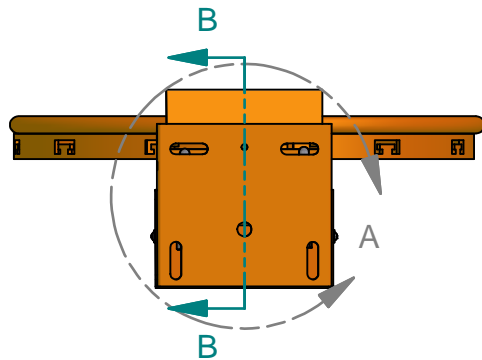


# UBG-500F

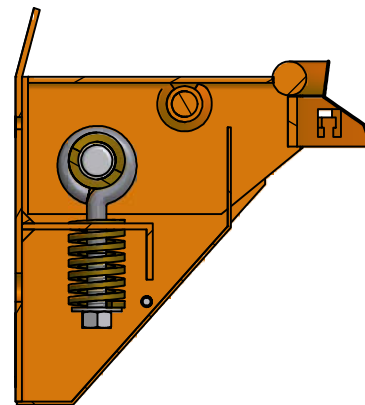
## DOUBLE RIM ULTIMATE BREAKAWAY GOAL



THIS EXTREMELY DURABLE BREAKAWAY GOAL CAN BE ADJUSTED TO WITHSTAND DIFFERENT LEVELS OF PRESSURE. FITS 5" x 5" AND 5" x 4" HOLE PATTERNS FOR USE WITH 42" BACKBOARDS. POSITIVE LOCK HOLDS SOLID PLAYING POSITION. DURABLE POWDER COATED FINISH. INCLUDES MOUNTING HARDWARE AND PREMIUM NET.



DETAIL A



1/8 in DETAIL C

REV.	DESCRIPTION	DATE	BY

**UBG-500F**  
Double Rim Ultimate  
Breakaway Goal

www.jaypro.com

**FAX:** 800.444.1779 (SALES)  
860.440.0628 (ENG.)

**PHONE:** 800.243.0533 (TOLL FREE)  
860.447.3001 (LOCAL)

JAYPRO SPORTS, LLC, 976 HARTFORD TURNPIKE, WATERFORD, CT 06385 USA

DRAWING NAME / PART NUMBER: <b>UBG-500F</b>	
DRAWN BY: DC	ISSUE DATE: 6/12/2006
CHK'D BY: BTS	REV.
SHEET: 1 OF 1	<b>A</b>

THIS PRINT IS THE PROPERTY OF JAYPRO SPORTS, LLC.  
AND MAY NOT BE REPRODUCED WITHOUT WRITTEN PERMISSION