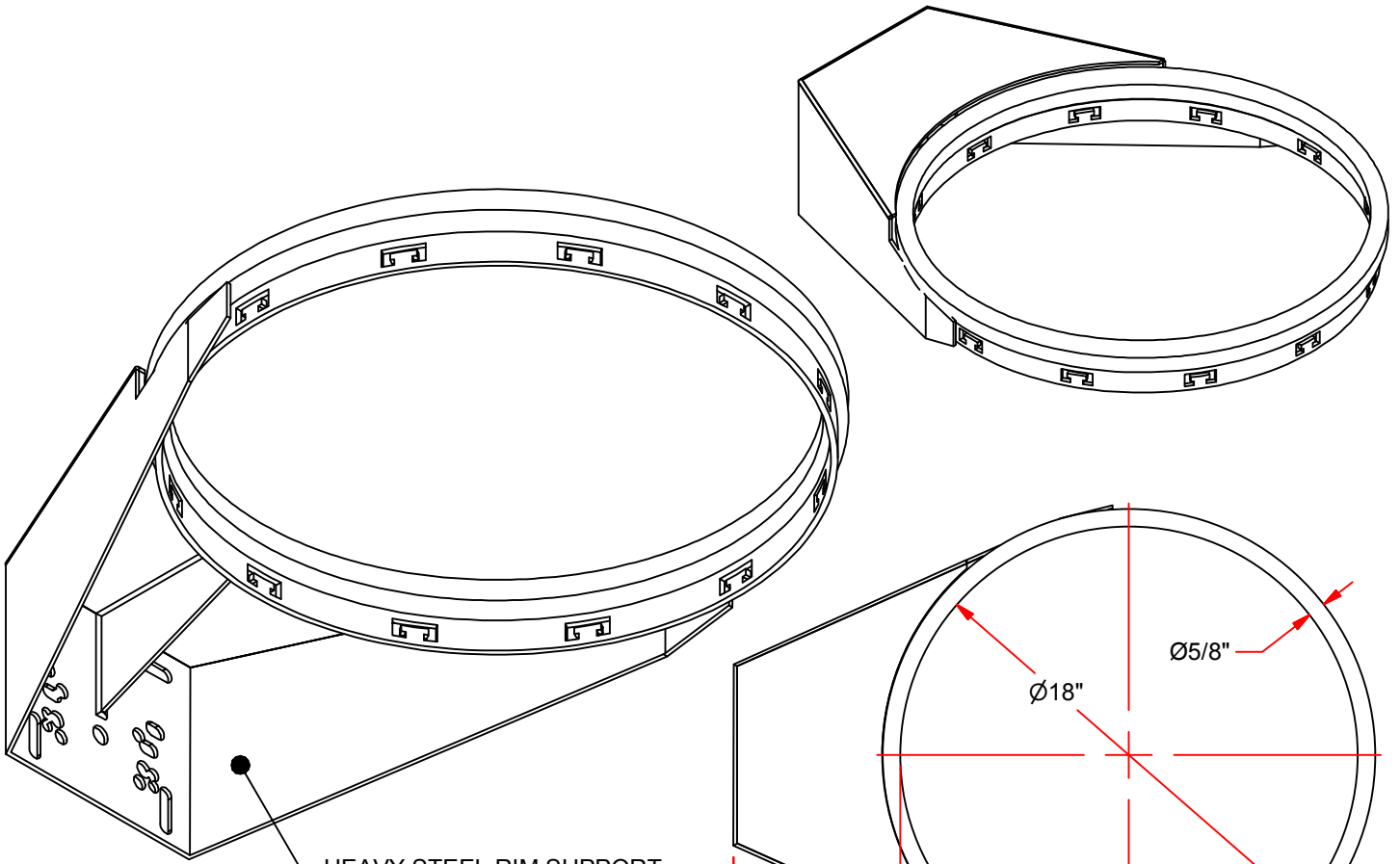
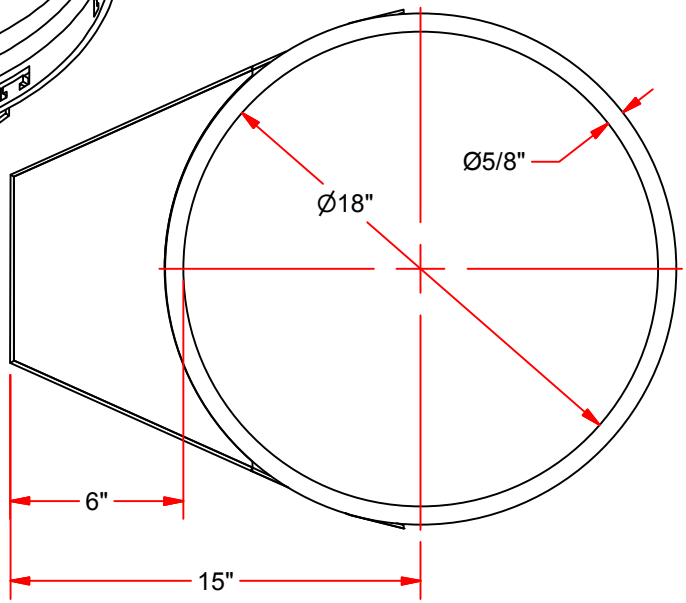




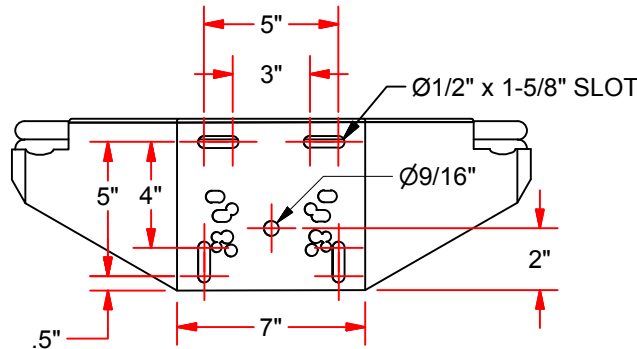
# UBG-500 Ultimate Playground Double Rim Goal



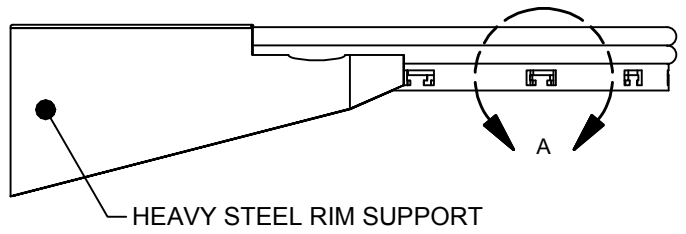
HEAVY STEEL RIM SUPPORT



TOP VIEW

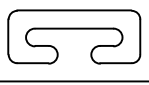


REAR VIEW



HEAVY STEEL RIM SUPPORT

SIDE VIEW



**NO-FAIL NET LOCK ATTACHMENT SYSTEM**  
(12 PLACES)



**UBG-500**  
Ultimate Playground Double Rim Goal  
© COPYRIGHT 2014 JAYPRO SPORTS, LLC. ALL RIGHTS RESERVED  
THIS PRINT IS THE PROPERTY OF JAYPRO SPORTS, LLC. AND MAY NOT BE REPRODUCED WITHOUT WRITTEN PERMISSION

www.jaypro.com  
(800) 243-0533  
976 Hartford Turnpike  
Waterford, CT 06385 USA  
Sheet 1 of 2

# **UBG-500**

## **ULTIMATE PLAYGROUND GOAL**

Official style basketball goal. 18" inside diameter double ring is manufactured out of two 5/8" diameter steel rod. Bracing of the ring is by 3/16" die cut steel brace mounting frame. Failsafe net attachment system located on the underside of the ring to secure the premium net (included). The ring shall be attached to a heavy duty mounting flange.

The attachment flange shall position the inside of the ring 6" from the face of the backboard. The complete goal shall be finished in a durable orange finish. Complete with mounting hardware, the UBG-500 incorporates a universal mounting plate that adapts to the majority of backboards sold.

The goal shall be warranted for a period of three years.