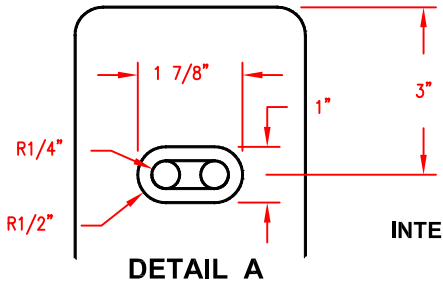
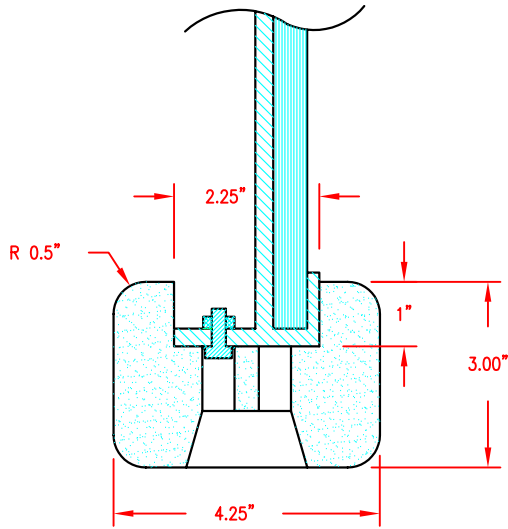
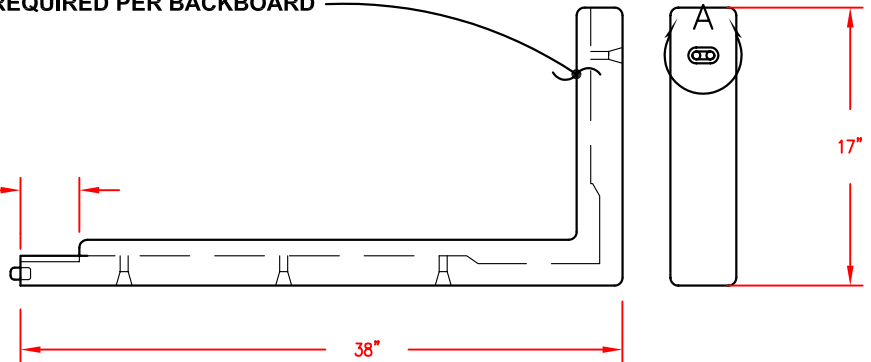


MBBP-6 BOLT-ON EDGE PADDING

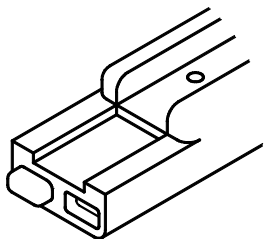


INTERLOCKING TAB

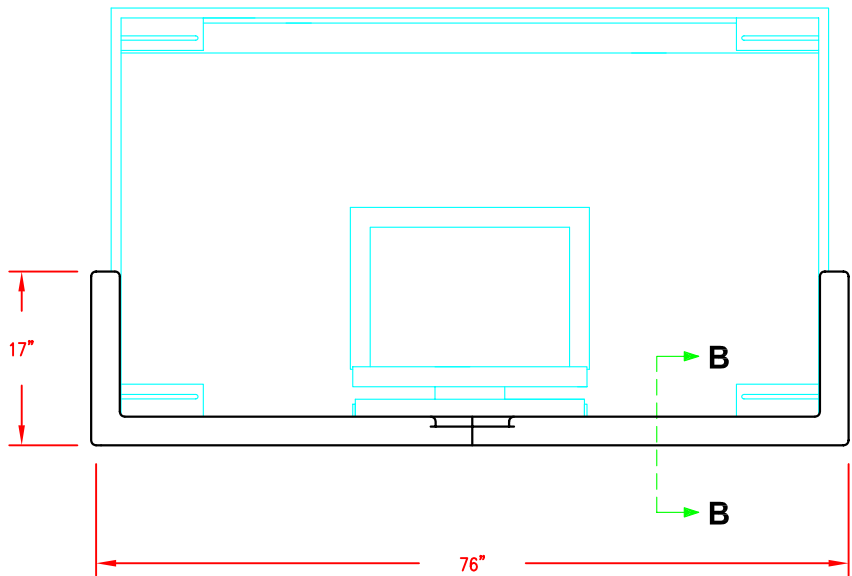
2 REQUIRED PER BACKBOARD



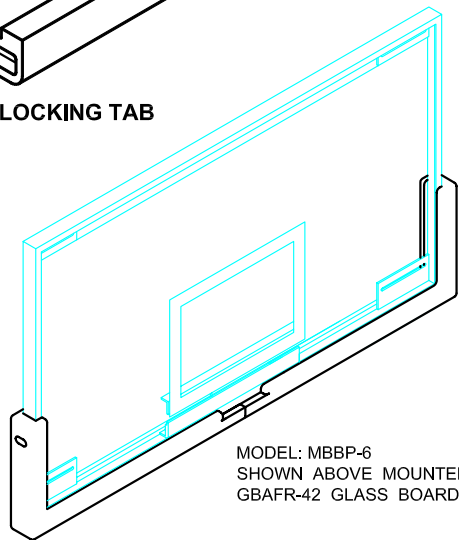
SECTION B-B



INTERLOCKING TAB



FRONT VIEW



MODEL: MBBP-6
SHOWN ABOVE MOUNTED TO
GBAFR-42 GLASS BOARD

AVAILABLE COLORS:

NAVY, ROYAL BLUE, COLUMBIA BLUE, KELLY GREEN,
SCARLET (RED), PURPLE, GREY, ORANGE, MAROON,
YELLOW, FOREST GREEN, and BLACK.

REV.	DESCRIPTION	DATE	BY

**MBBP-6
GLUE-ON EDGE PADDING
FOR 42" & 48" GLASS
BACKBOARDS**



DRAWING NAME / PART NO.: MBBP-6	
DRAWN BY: MT	CHK'D BY: DM
ISSUE DATE: 3/7/05	
SHEET: 1 OF 1	REV.

COPYRIGHT 2003
JAYPRO SPORTS, LLC.
ALL RIGHTS RESERVED

THIS PRINT IS THE PROPERTY OF JAYPRO SPORTS, LLC.
AND MAY NOT BE REPRODUCED WITHOUT WRITTEN PERMISSION

www.jaypro.com
976 HARTFORD TURNPIKE
WATERFORD, CT 06385 USA

1 OF 1

MBBP-6

BOLT-ON BACKBOARD PADDING FOR RECTANGULAR GLASS BOARDS

The MBBP-6 edge padding shall meet all the requirements/recommendations of the NCAA, NFSHSA, WNBA, and NBA. The padding shall cover the bottom surface of the board and the side surface to a distance of 15" and be not less than 2" thick. The front and back surface shall be covered to a minimum distance of 3/4" up from the bottom and be not less than 1" in thickness. The padding shall be 1" thick from the front and back surfaces of the backboard.

Competition series bolt-on backboard edge guards are for 72" glass backboards. Molded from color matched self-skinning urethane foam in two-piece design. The exterior of the MBBP-6 pads are of a tough molded urethane skin to provide the exterior with a uniform colored appearance. A steel plate shall be molded into the padding to facilitate the attachment of the padding to the backboard with bolts. All attachment hardware shall be within the inherent molded recesses of the pads at the required attachment locations. Interlocking tabs shall be provided at the match point between the two halves to aid in the splice. Packaged in pairs, one pair will complete one backboard. 3/8" attachment hardware is included.

MBBP-6 shall be warranted free from manufacturing defects for a period of 3 years.

Colors available: Navy Blue, Royal Blue, Columbia Blue, Kelly Green, Scarlet (Red), Purple, Grey, Orange, Maroon, Yellow, Forest Green and Black.