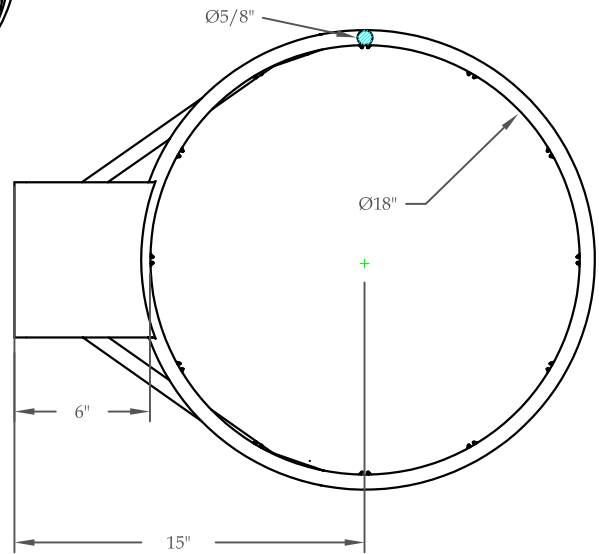
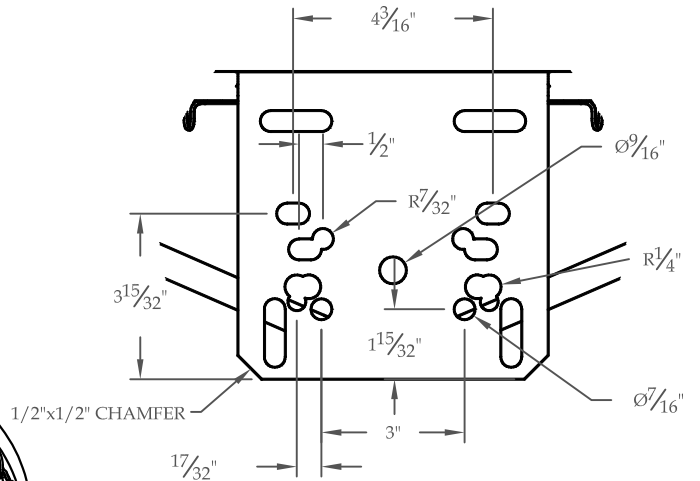
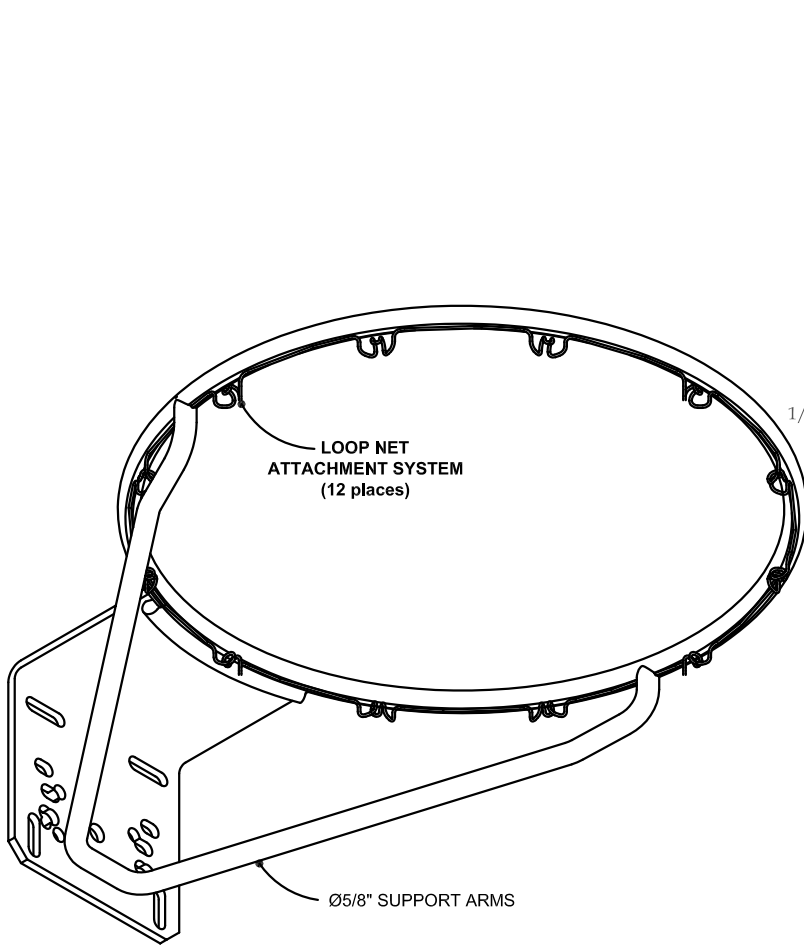
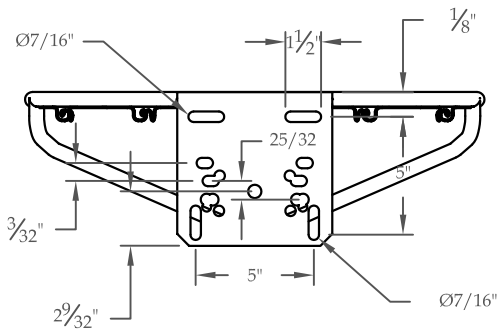


GBSG-50

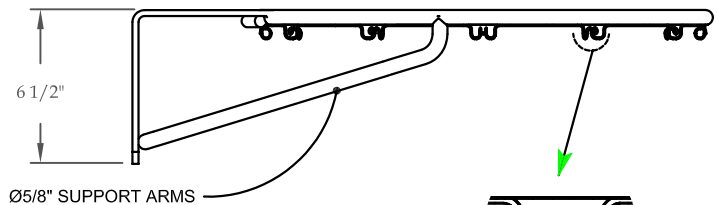
SINGLE RING SUPER GOAL



TOP VIEW



BACK VIEW



SIDE VIEW



LOOP NET ATTACHMENT SYSTEM (12 places)

REV.	DESCRIPTION	DATE	BY
A	ADDED NEW FEATURES	9/16/04	MT

GBSG-50
Super Goal



www.jaypro.com
976 HARTFORD TURNPIKE
WATERFORD, CT 06385 USA

DRAWING NAME / PART NO.:	
GBSG-50	
DRAWN BY:	CHK'D BY:
MT	DM
ISSUE DATE:	
1/13/05	
SHEET:	REV.
1 OF 1	A

COPYRIGHT 2005
JAYPRO SPORTS, LLC.
ALL RIGHTS RESERVED

THIS PRINT IS THE PROPERTY OF JAYPRO SPORTS, LLC.
AND MAY NOT BE REPRODUCED WITHOUT WRITTEN PERMISSION

GBSG-50

FIXED HIGH STRENGTH SINGLE RING BASKETBALL GOAL

Official size Basketball Goal is manufactured from 5/8" high tensile alloy rod. Bracing of the ring is by 5/8" diameter steel brace welded to the underside of the ring. 12 Loop net attachment system located on the underside of the ring to secure the nylon net, (included) , to the underside of the ring. The ring shall be shall be 18" inside diameter and offset from the face of the backboard with a goal-mounting flange.

The attachment mechanism shall position the inside of the ring 6" from the face of the backboard. The complete goal shall be finished in a durable baked powder coated orange finish. Complete with mounting hardware, the GBSG-50 incorporates a universal mounting plate that adapts to the majority of backboards sold.

The goal shall be warranted for a period of three years.