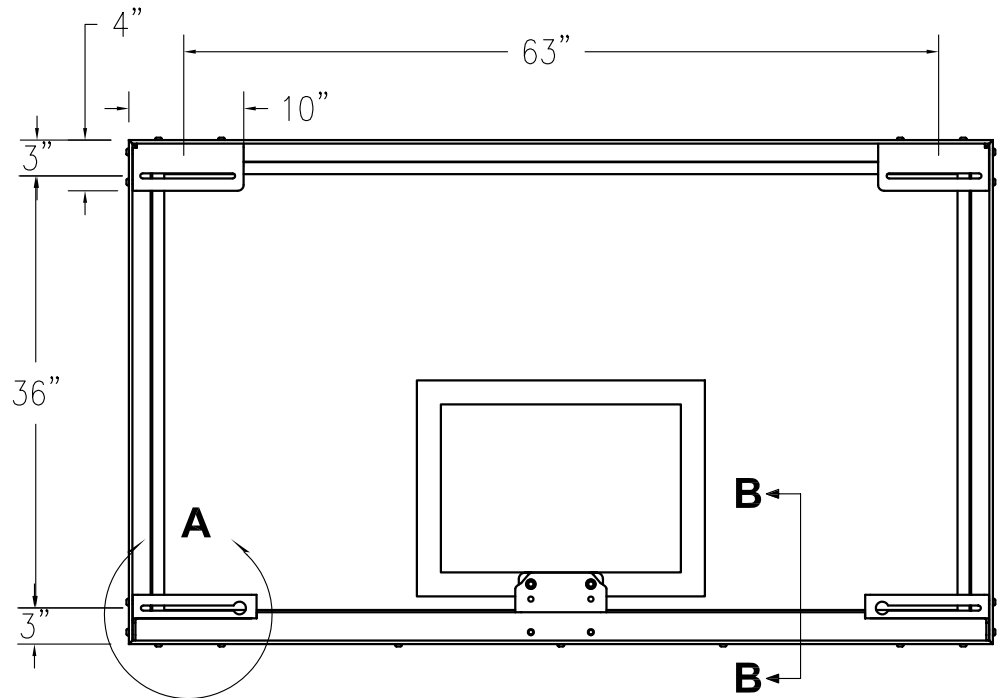
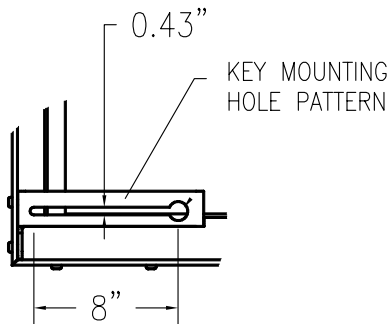


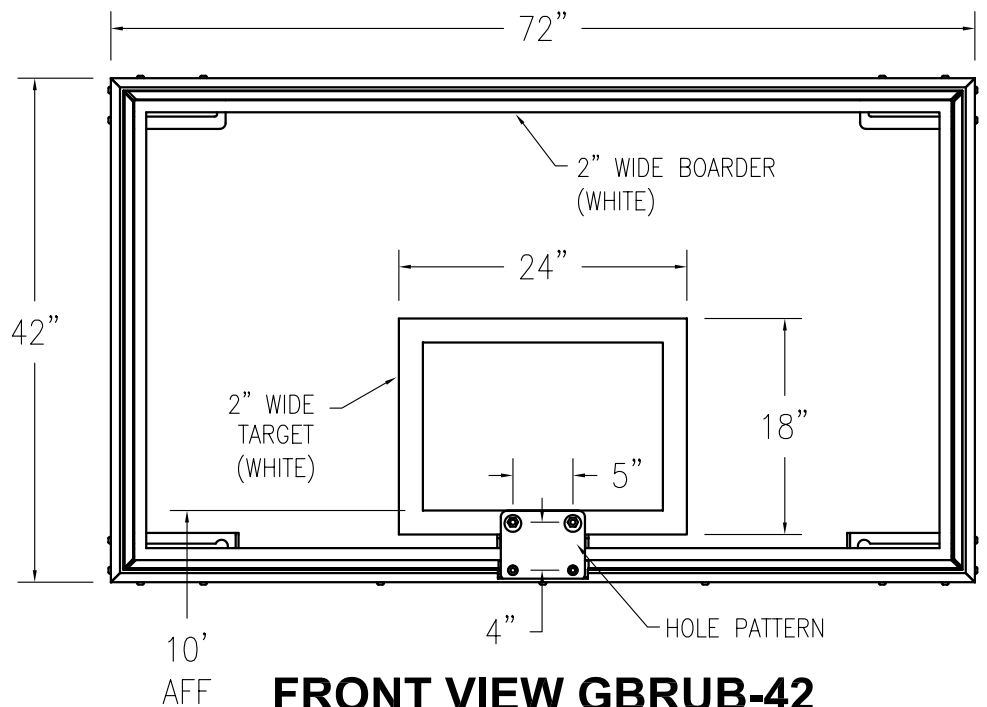
**SECTION B-B**



**BACK VIEW GBRUB-42**



**DETAIL A**

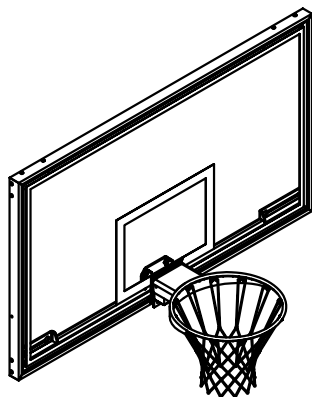


**FRONT VIEW GBRUB-42**

**OPTIONAL EQUIPMENT:**

**GOAL:** BREAKAWAY OR FIXED (SPECIFY)  
 - Any Front Mount Goal  
 With 4"x5" Pattern.

**EDGE PADDING:** BOLT ON OR ADHESIVE (SPECIFY)  
 - MBBP-6 (MOLDED BOLT-ON)  
 - GBB-2 (GLUE - ON)



MODEL: GBRUB-42  
 AS SHOWN ABOVE  
 WITH GBA-342A GOAL

REV.	DESCRIPTION	DATE	BY

**GBRUB-42 RECTANGULAR  
 BACKBOARD 42" X 72"  
 TEMPERED GLASS WITH  
 REINFORCED ALUMINUM FRAME**



DRAWING NAME / PART NO.:	
GBRUB-42	
DRAWN BY:	CHK'D BY:
B MUMFORD	WVB
ISSUE DATE:	
1/25/08	
SHEET:	REV.
1 OF 1	-

# JAYPRO MODEL GBRUB-42

## NON-BREAKABLE RECTANGULAR GLASS BACKBOARD 42" X 72"

**BACKBOARD:** Backboard shall be 42" x 72" to meet all NCAA, NFHSA, WNBA and NBA requirements. 1/2" tempered glass cushioned within a shock absorbing vinyl gasket. Constructed of high strength clear anodized aluminum channel outer frame with engineered lower reinforced steel member. Designed to transfer impact load on goal directly to support structure, without imparting any stress on the glass. May be used with either direct mount or four-corner-mounting applications. Standard mounting slots provided at 36" x 62"/66" on the rear corners of the board. Pre-drilled for "Safe-Pro" bolt-on edge padding. Official "white" border and target to be permanently fused into the face of the glass.

**GOAL MOUNTING:** Goal mounting pattern is 4" x 5". Goal mounting plate is offset from glass to eliminate direct contact and eliminate stress. Added feature provides independent leveling of the goal.

**WARRANTY:** The GBRUB-42 Glass Backboard has a limited lifetime warranty. This warranty warrants the end user against breaks and/or cracks in the Glass Backboard for the lifetime of the product, when subjected to normal use and conditions.

**WEIGHT:** 200 lbs.

**OPTIONS:** Goals with a 4" x 5" mounting pattern, Bank Padding (MBBP-6, "Safe-Pro" Bolt-On Edge Padding or GBB-2, Glue-On Edge Padding)