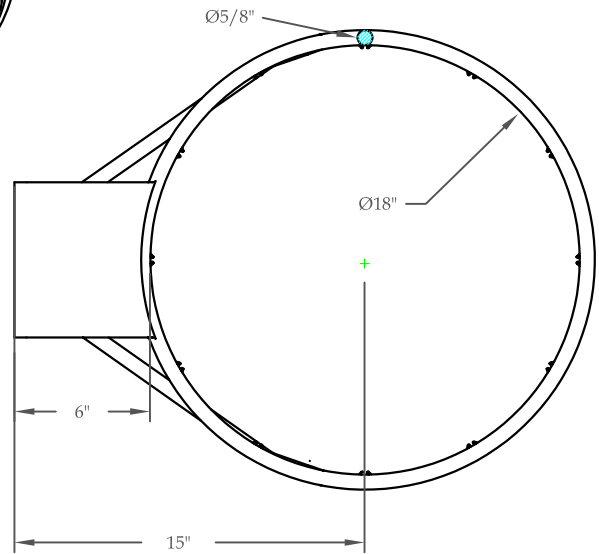
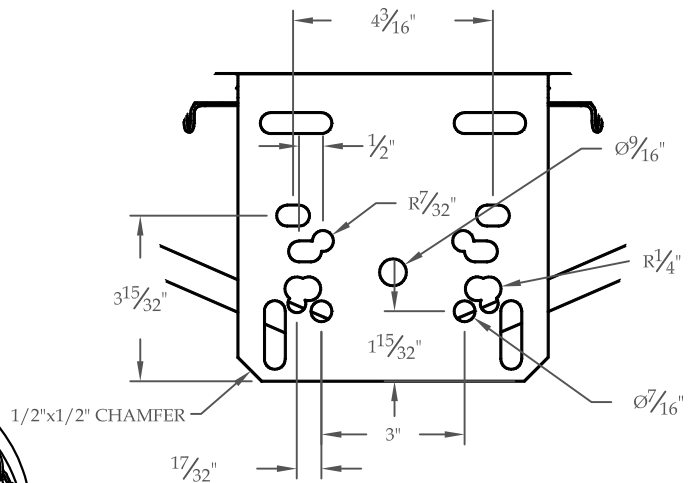
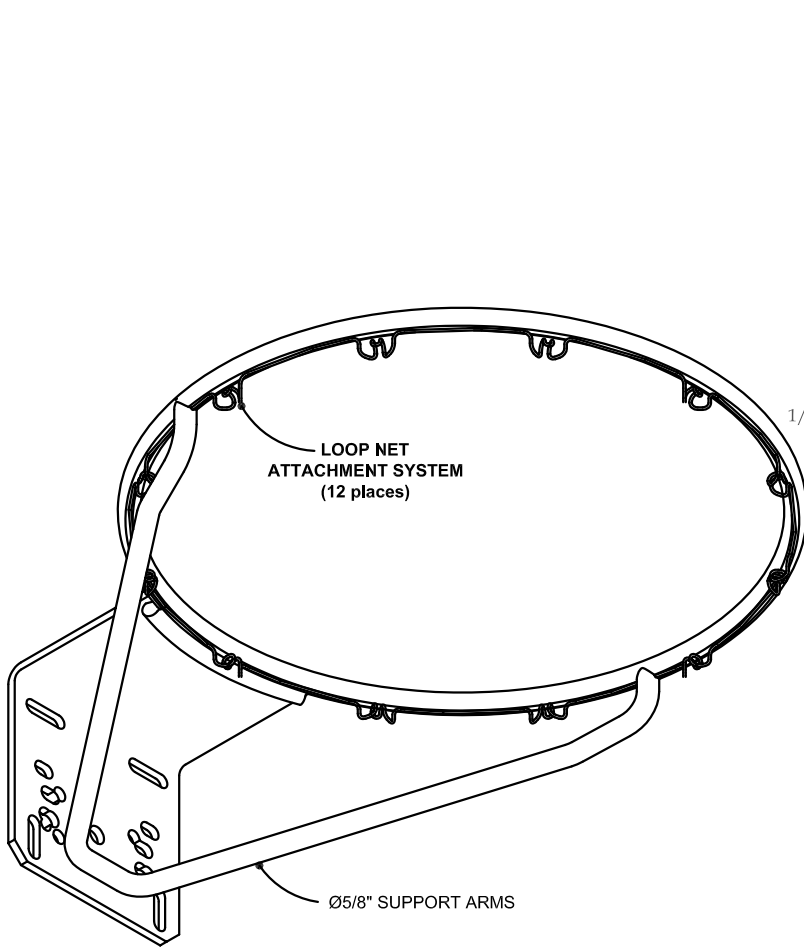
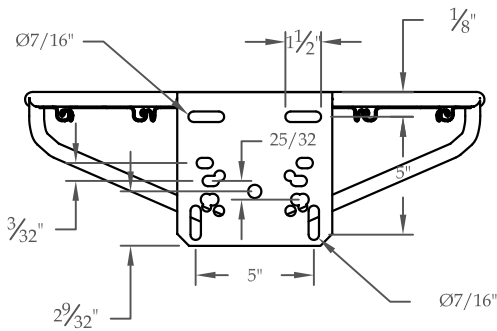


# GBSG-50

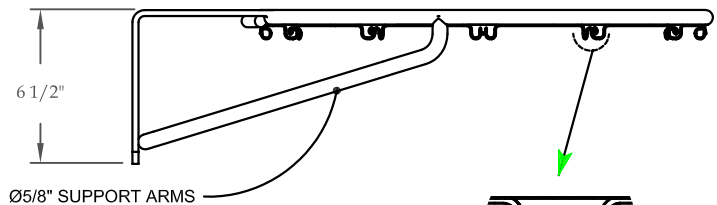
## SINGLE RING SUPER GOAL



**TOP VIEW**



**BACK VIEW**



**SIDE VIEW**



**LOOP NET ATTACHMENT SYSTEM (12 places)**

REV.	DESCRIPTION	DATE	BY
A	ADDED NEW FEATURES	9/16/04	MT

**GBSG-50**  
**Super Goal**



www.jaypro.com  
976 HARTFORD TURNPIKE  
WATERFORD, CT 06385 USA

DRAWING NAME / PART NO.:  
GBSG-50

DRAWN BY:  
MT

CHK'D BY:  
DM

ISSUE DATE:  
1/13/05

SHEET:  
1 OF 1

REV.  
A

COPYRIGHT 2005  
JAYPRO SPORTS, LLC.  
ALL RIGHTS RESERVED

THIS PRINT IS THE PROPERTY OF JAYPRO SPORTS, LLC.  
AND MAY NOT BE REPRODUCED WITHOUT WRITTEN PERMISSION

# **GBSG-50**

## **FIXED HIGH STRENGTH SINGLE RING BASKETBALL GOAL**

Official size Basketball Goal is manufactured from 5/8" high tensile alloy rod. Bracing of the ring is by 5/8" diameter steel brace welded to the underside of the ring. 12 Loop net attachment system located on the underside of the ring to secure the nylon net, (included) , to the underside of the ring. The ring shall be shall be 18" inside diameter and offset from the face of the backboard with a goal-mounting flange.

The attachment mechanism shall position the inside of the ring 6" from the face of the backboard. The complete goal shall be finished in a durable baked powder coated orange finish. Complete with mounting hardware, the GBSG-50 incorporates a universal mounting plate that adapts to the majority of backboards sold.

The goal shall be warranted for a period of three years.