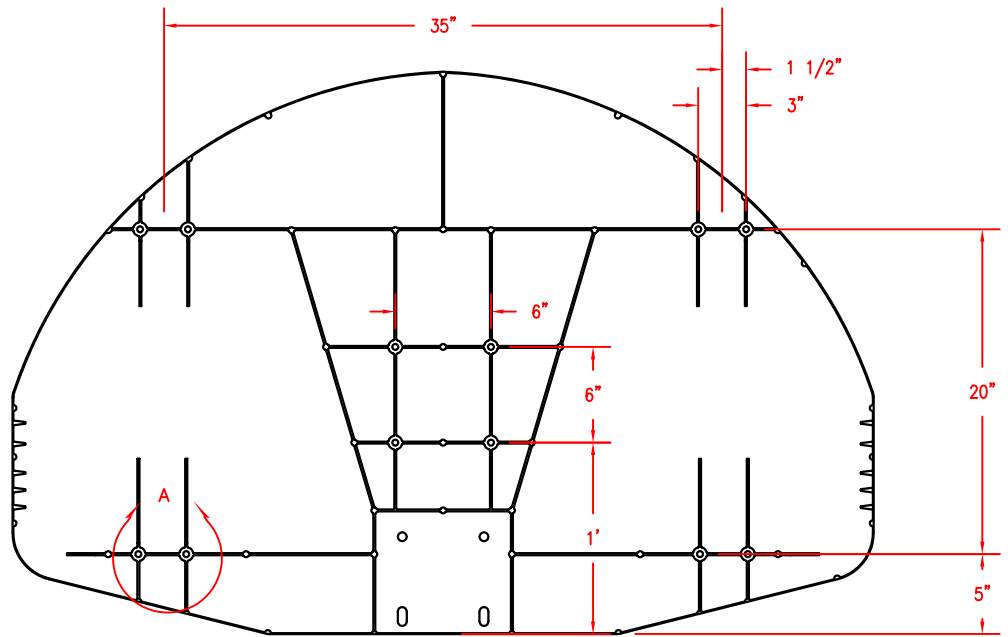
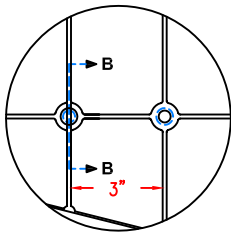


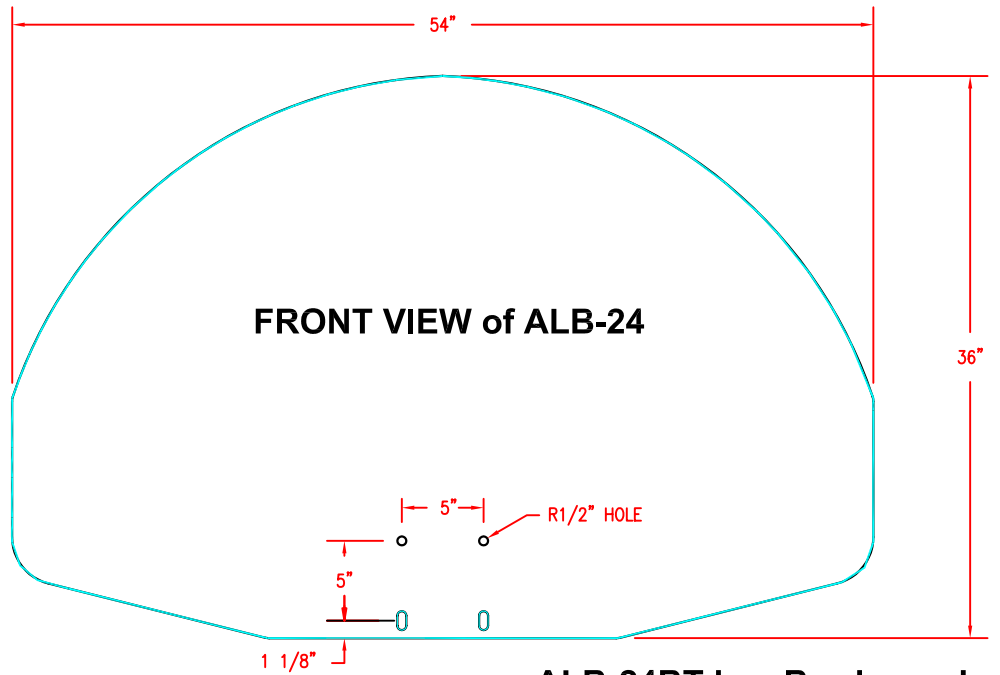
SECTION B-B



BACK VIEW OF ALB-24 & ALB-24BT

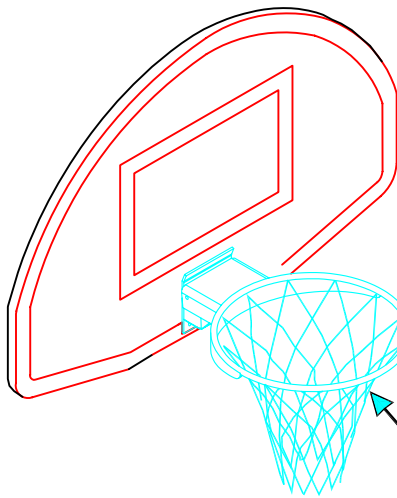


DETAIL A



FRONT VIEW of ALB-24

ALB-24BT has Border and Target



MODEL: ALB-24BT AS SHOWN ABOVE WITH GBA-342A GOAL

GOAL: BREAKAWAY OR FIXED (SPECIFY)
Any front mount with 5" x 5" Pattern

REV.	DESCRIPTION	DATE	BY

ALB-24 / ALB-24BT
FAN SHAPED
36" X 54" CAST ALUMINUM
BACKBOARD



DRAWING NAME / PART NO.: ALB-24 / ALB-24BT	
DRAWN BY: MT	CHK'D BY: WVB
ISSUE DATE: 02/08/2006	
SHEET: 1 OF 1	REV.

COPYRIGHT 2006
JAYPRO SPORTS, LLC.
ALL RIGHTS RESERVED

THIS PRINT IS THE PROPERTY OF JAYPRO SPORTS, LLC.
AND MAY NOT BE REPRODUCED WITHOUT WRITTEN PERMISSION

www.jaypro.com
976 HARTFORD TURNPIKE
WATERFORD, CT 06385 USA

REV.

JAYPRO MODEL ALB-24 & ALB-24BT

FAN ALUMINUM BACKBOARD 36" X 54"

BACKBOARD: Official size Backboard shall be fan shaped 36" x 54" x 1-1/2".

Constructed of cast aluminum with a 1-1/2" flange and extruded members on the back surface for superior strength. Dual 3/8-16" tapped board mounting points 3" c/c are molded in place for standard 35" x 20" mounting locations. Additional centrally located mounting points allow for 6" x 6" mounting to "goose-neck" style outdoor units. The ALB-24 is powder coated white while the ALB-24BT is painted white with official "orange" border and target on the face of the board. Board is ideal for indoor or outdoor use and is rust free.

GOAL MOUNTING: 4 bolt goal mounting pattern is 5" high x 5" wide.

WARRANTY: There is a lifetime warranty on all Jaypro Aluminum Backboards.

WEIGHT: 56 lbs.

OPTIONS: Goals: front mounted 5" x 5" mounting pattern.