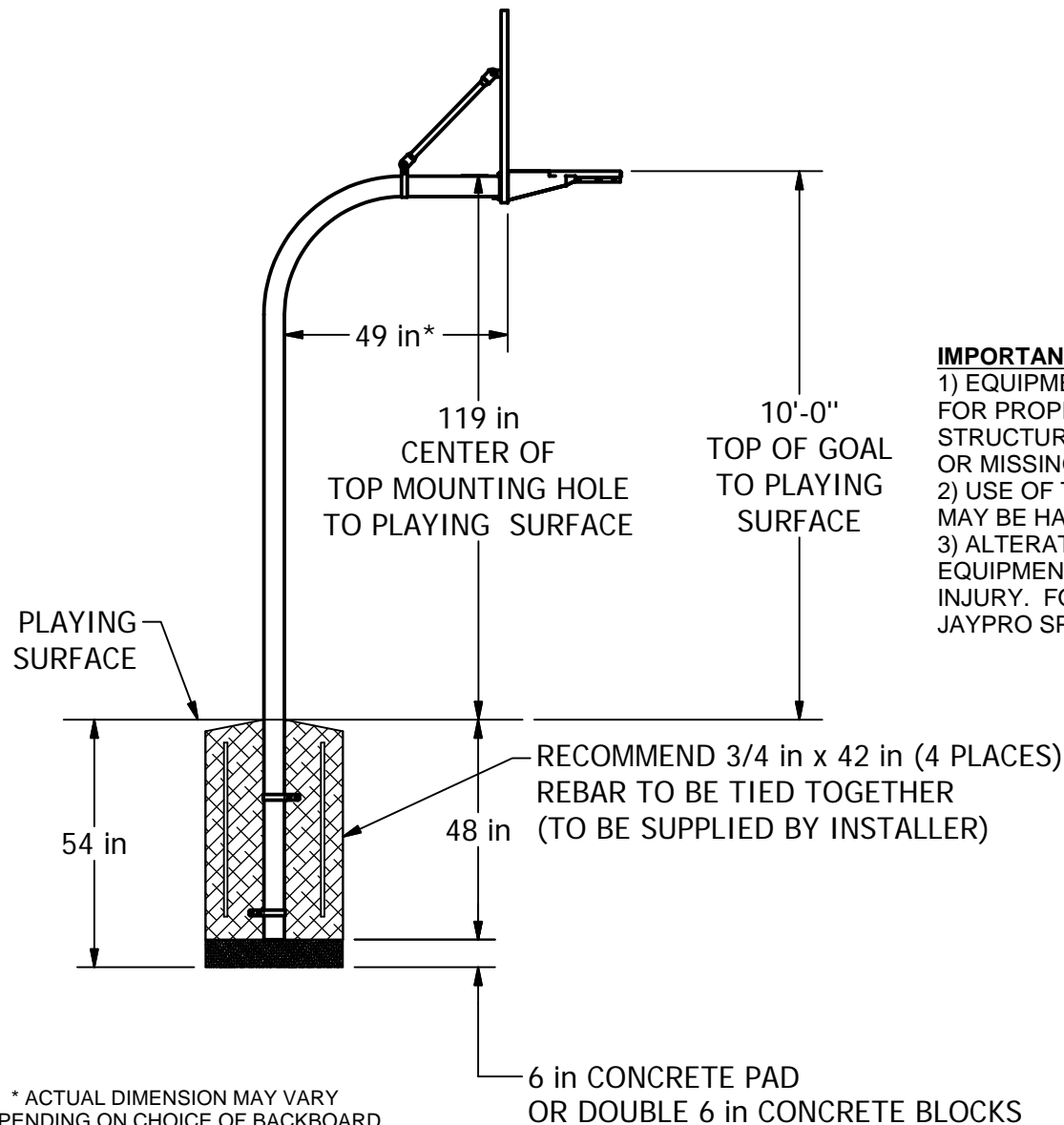


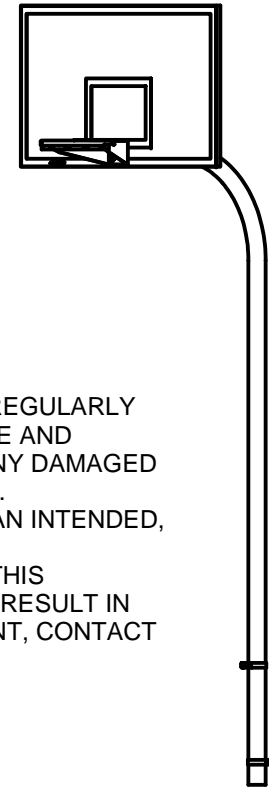
MODEL 996

4 1/2 in ROUND POST 4 FOOT EXTENSION, DIRECT MOUNT




IMPORTANT NOTICE:

- 1) EQUIPMENT SHOULD BE CHECKED REGULARLY FOR PROPER CONNECTING HARDWARE AND STRUCTURAL INTEGRITY. REPLACE ANY DAMAGED OR MISSING HARDWARE IMMEDIATELY.
- 2) USE OF THE EQUIPMENT OTHER THAN INTENDED, MAY BE HAZARDOUS.
- 3) ALTERATION OR MODIFICATION OF THIS EQUIPMENT MAY BE HAZARDOUS AND RESULT IN INJURY. FOR REPAIR OR REPLACEMENT, CONTACT JAYPRO SPORTS.



* ACTUAL DIMENSION MAY VARY
DEPENDING ON CHOICE OF BACKBOARD
USED.

 <small>INNOVATION, PERFORMANCE AND COMMITMENT SINCE 1983</small> 976 Hartford Turnpike Waterford, CT 06385 USA (800)243-0533 Fax: (800)988-3363 www.jaypro.com	MODEL NUMBER: 996 INSTALL	CHECKED BY: WVB
	PRODUCT NAME: 996 INSTALLATION INSTRUCTIONS	
DATE: 2/16/2010	REV: B	DRAWN BY: DonL
		SHEET: 1 OF 4

MODEL 996

4 1/2 in ROUND POST 4 FOOT EXTENSION,

DIRECT MOUNT

BEFORE YOU START

- A) UNPACK ALL PARTS AND CHECK AGAINST PARTS LIST TO ENSURE THAT ALL PARTS HAVE BEEN INCLUDED.
 B) INSPECT FOR DAMAGE, REPORT ALL DAMAGES TO TRUCKING COMPANY.

ITEM	QTY	PART #	DESCRIPTION	ITEM	QTY	PART #	DESCRIPTION
1	1	996U	UPRIGHT (4 1/2 in OD)	8	2	HS287	3/8"-16 x 1 1/4" HEX HEAD CAP SCREW
2	1	VARIOUS	BACKBOARDS	9	2	HB5031A	3/8-16 x 1 1/2 in CARRIAGE BOLT
3	1	VARIOUS	GOALS	10	2	HN5040	3/8-16 TEE NUT
4	3	BRC45	4 1/2 OD BAND CLAMP	11	6	HW2050	3/8 in ID FLAT WASHER
5	2	SR5370	850RB-BB MOUNTING TAB	12	8	HW334	
6	2	BRC30	1.315 DIA BB BRACE	13	8	HN264	3/8"-16 HEX NUT, ZP
7	1	SR5368	TAB PERF BOARD	14	4	HS288	3/8"-16 x 1 1/2" HEX HD CAP SCREW ZP

UPRIGHT INSTALLATION

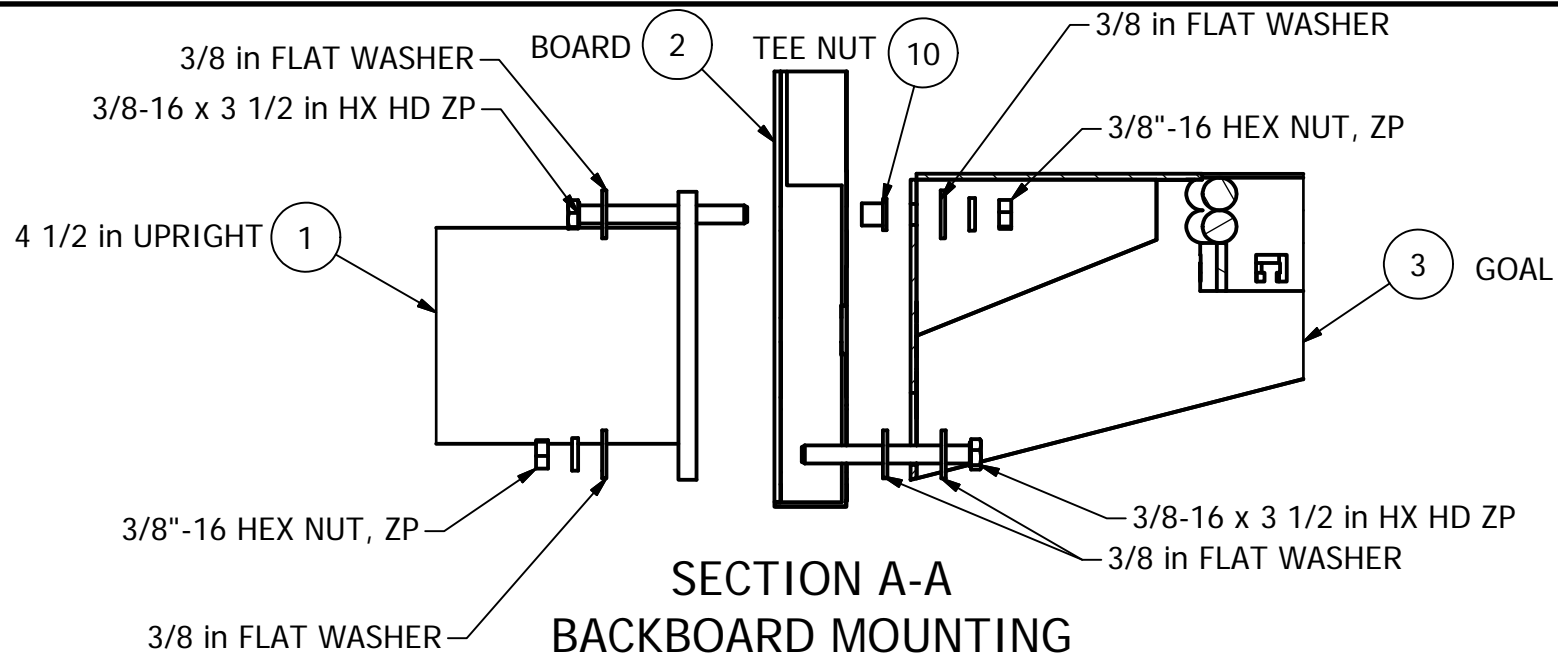
- 1) CHECK LOCAL BUILDING CODES BEFORE STARTING THE FOOTING, AS BUILDING CODES MAY VARY. LOCAL BUILDING CODES SHOULD BE ADHERED TO IF REQUIREMENTS ARE GREATER THAN THOSE OUTLINED HERE.
- 2) DIG HOLE 30 INCHES SQUARE OR ROUND TO A DEPTH OF 54 INCHES, POUR A 6 INCH FOOTING AND ALLOW TO FULLY CURE OR PLACE UPRIGHT ON TWO 6 INCH CONCRETE BLOCKS.
- 3) ATTACH THE TWO ANTI-ROTATIONAL BAND CLAMPS TO THE BOTTOM OF THE LOWER PORTION OF THE UPRIGHT. THE BAND CLAMPS SHOULD BE EMBEDDED AT LEAST 6 INCHES INTO THE CONCRETE TOP AND BOTTOM BUT NO CLOSER THAT 12 INCHES APART.
- 4) POSITION AND SQUARE THE UPRIGHT ONTO THE FOOTING BASE. POUR THE REMAINDER OF THE FOOTING. ALLOW THE CONCRETE TO FULLY CURE, PER MANUFACTURERS INSTRUCTIONS, BEFORE ATTACHING BACKBOARD AND GOAL. **NOTE THE TOP HOLE OF THE BACKBOARD MOUNTING PLATE SHOULD BE 119 INCHES OFF THE PLAYING SURFACE.**

FINAL ASSEMBLY

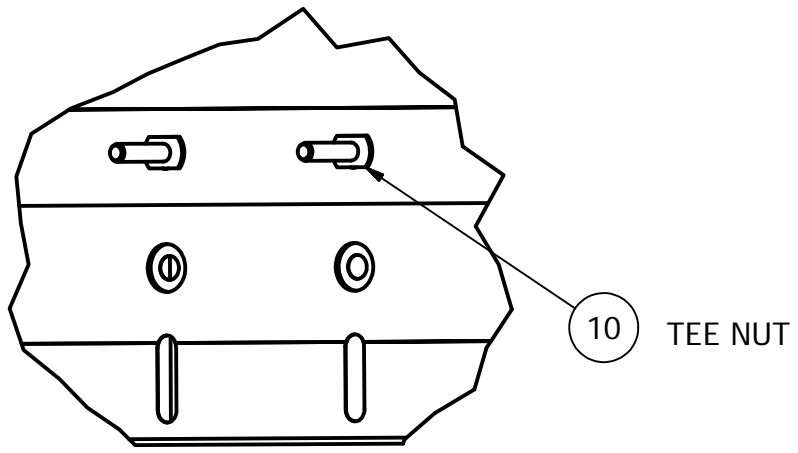
- 5) ATTACH THE APPROPRIATE BRACE MOUNTING BRACKET TO THE BACK OF THE BACKBOARD, AS SHOWN IN DETAIL D. THE BRACKET WILL DEPEND ON THE BACKBOARD ORDERED. THE BRACKETS WILL EITHER BE INCLUDED WITH THE BACKBOARD OR FOUND IN THE GENERAL KIT. THE SPACING BETWEEN THE RIGHT ANGLE BRACKETS OF THE RECTANGULAR STEEL BACKBOARD IS APPROXIMATLY 36 INCHES. **(FAN BOARDS DO NOT REQUIRE REAR BRACING)**
- 6) LIFT AND ATTACH THE BACKBOARD TO THE MOUNTING PLATE USING ONLY THE TOP TWO FASTENERS AND TEE NUTS SHOWN IN SECTION A-A. WHEN THE BACKBOARD IS INSTALLED THE TEE NUTS SHOULD BE UP AGAINST THE BACKBOARD AS SHOWN IN DETAIL B. THE USE OF THE TEE NUTS ALLOW FOR EASY REPLACEMENT OF THE GOAL. (IF INSTALLING A FAN BOARD SKIP AHEAD TO STEP 10)
- 7) INSTALL THE BAND CLAMP TO THE UPRIGHT PIPE BY FIRST SPREADING THE BAND CLAMP OPEN ONLY ENOUGH TO GET IT ONTO THE UPRIGHT. SEE DETAIL F
- 8) WITH THE HELP A C-CLAMP CLOSE THE BAND CLAMP BACK DOWN AND HOLD CLOSED BY INSTALLING ONLY THE LOWER BOLT AND NUT FASTENERS. THE BAND CLAMP NEEDS TO BE APPROXIMATLY 19 INCHES FROM THE BACK SIDE OF THE BACKBOARD
- 9) INSTALL THE 1-5/16 DIA SUPPORT BRACES TO THE BACKBOARD AND BAND CLAMP AS SHOWN IN THE DETAILS E AND F.
- 10) PLUMB AND LEVEL THE BACKBOARD BEFORE TIGHTENING THE HARDWARE.
- 11) FINALLY ATTACH THE GOAL WITH THE REMAINING HARDWARE SHOWN IN SECTION A-A, MAKE CERTAIN THAT A WASHER IS PLACED BETWEEN THE GOAL AND THE LOWER HOLES IN ORDER TO KEEP THE GOAL PERPENDICULAR WITH THE BACKBOARD. NOTE THE ORIENTATION OF THE LOWER TWO BOLTS. FOR ADDED SAFETY, THE EXPOSED THREADS AND NUTS SHOULD BE PLACED ON THE BACKSIDE OF THE BACKBOARD, AS SHOWN IN SECTION A-A AND DETAIL C.

TOOLS REQUIRED

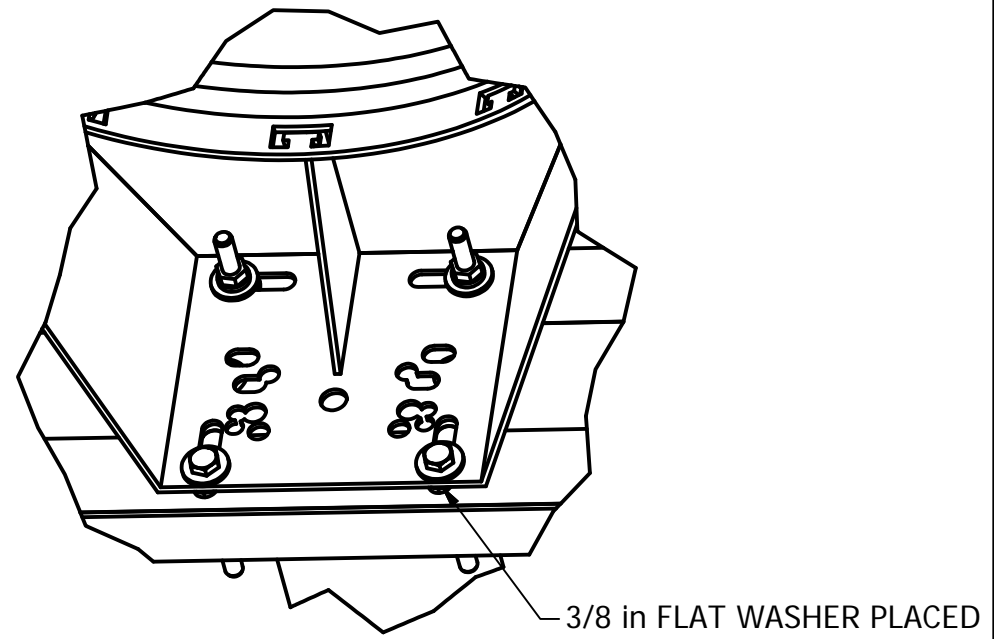
- 9/16 in Socket Wrench and Combination Wrench
 Optional 4 inch C-Clamp



**SECTION A-A
 BACKBOARD MOUNTING**
 ALL HARDWARE IN THIS DETAIL EXCEPT FOR
 THE TEE NUT IS SUPPLIED WITH THE GOAL

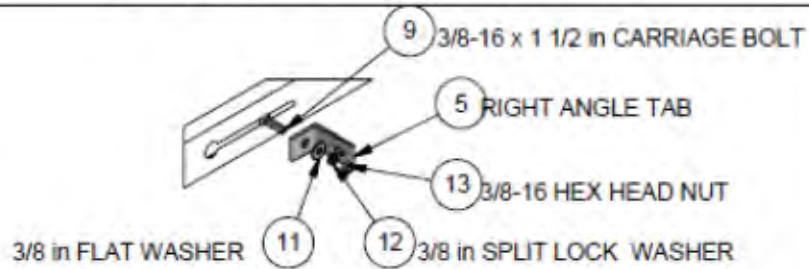


DETAIL B
 BACKBOARD TEE NUTS

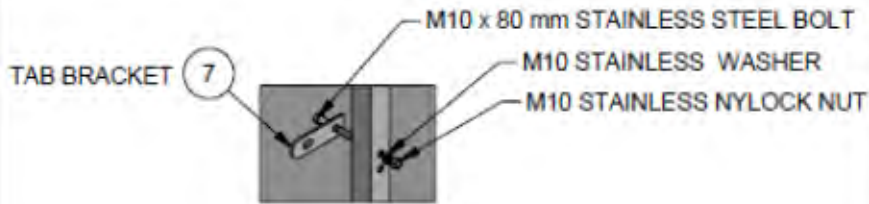


DETAIL C
 GOAL ATTACHEMENT

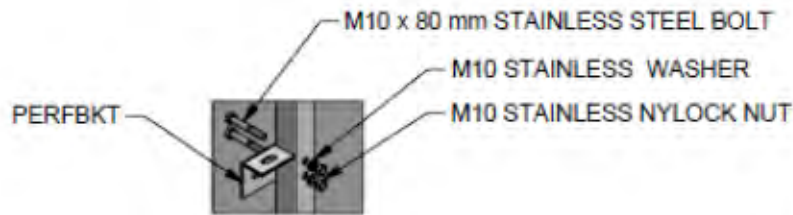
DETAIL D
BRACE TO BOARD MOUNTING OPTIONS



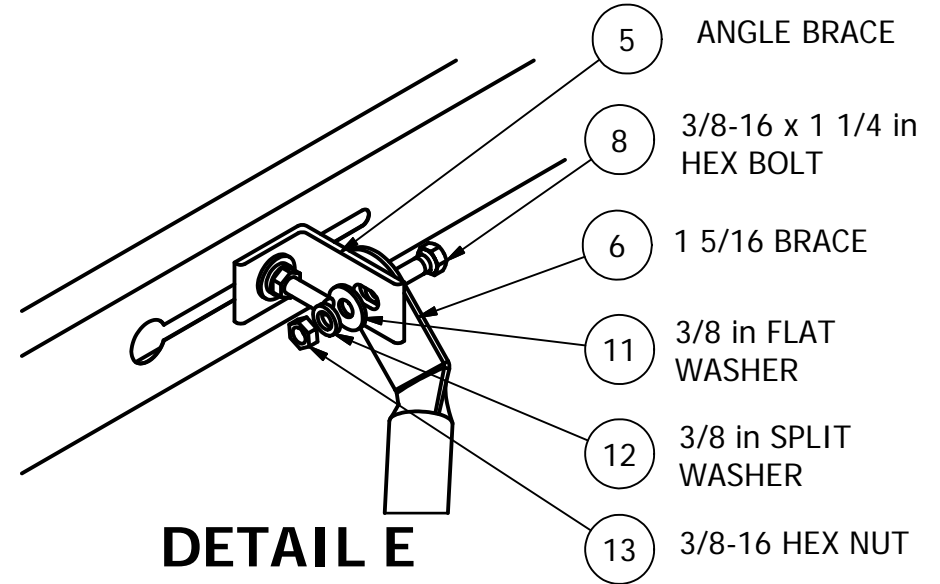
D1
RIGHT ANGLE TAB
RECTANGULAR STEEL BOARD
850RB-BB



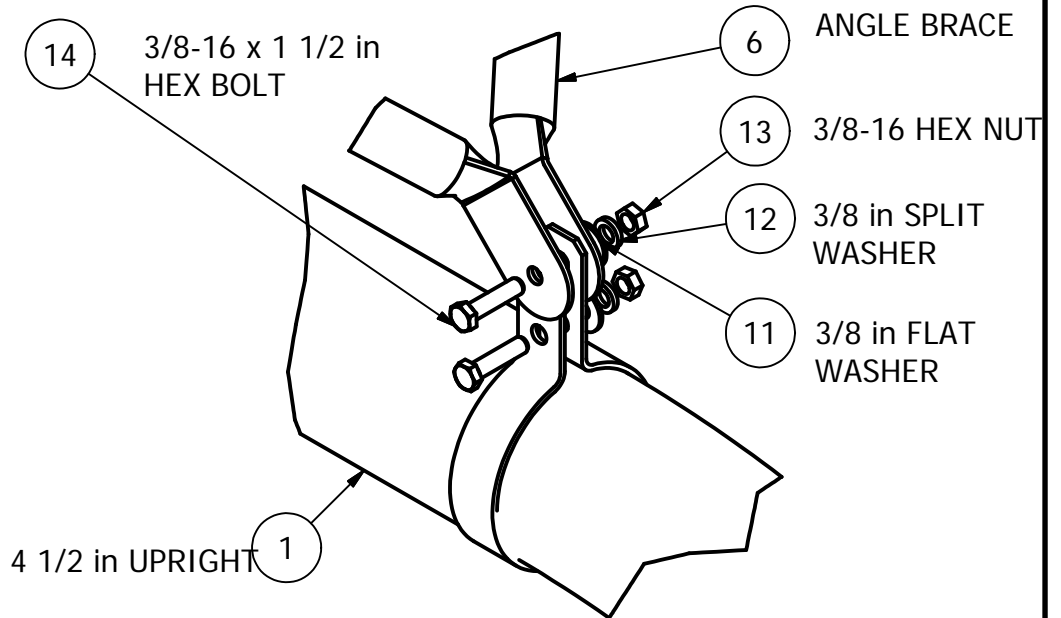
D2
TAB BRACKET
PERFORATED BOARDS
SR-PERF AND AL-PERF
(HARDWARE PROVIDED W/BOARD)



D3
PERFBKT
PERFORATED BOARDS
SR-PERF AND AL-PERF
OR ACRYLIC BOARDS ACRB-72
(BRACKET & HARDWARE PROVIDED W/BOARD)



DETAIL E
UPPER BRACE ATTACHMENT



DETAIL F
BAND BRACE TO UPRIGHT