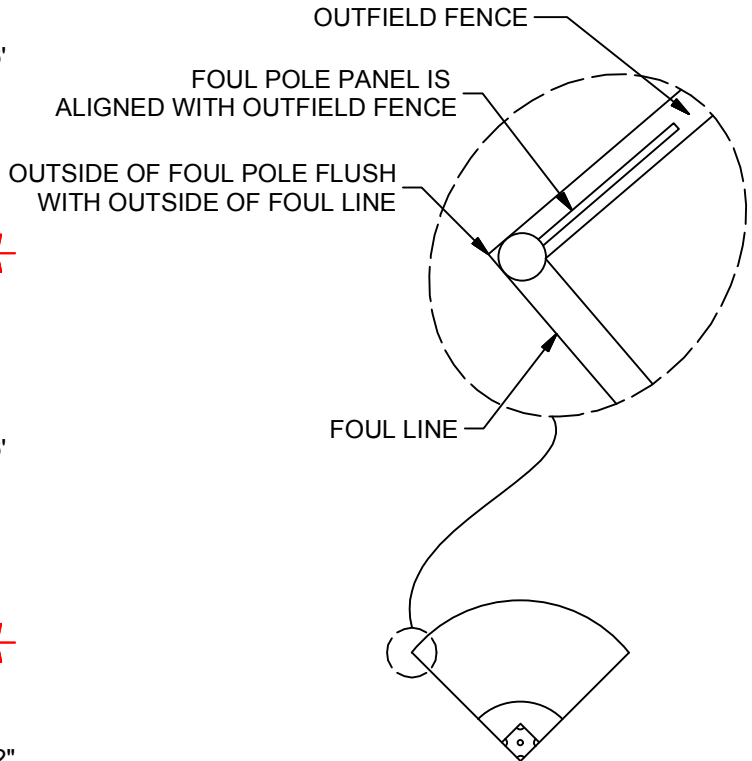
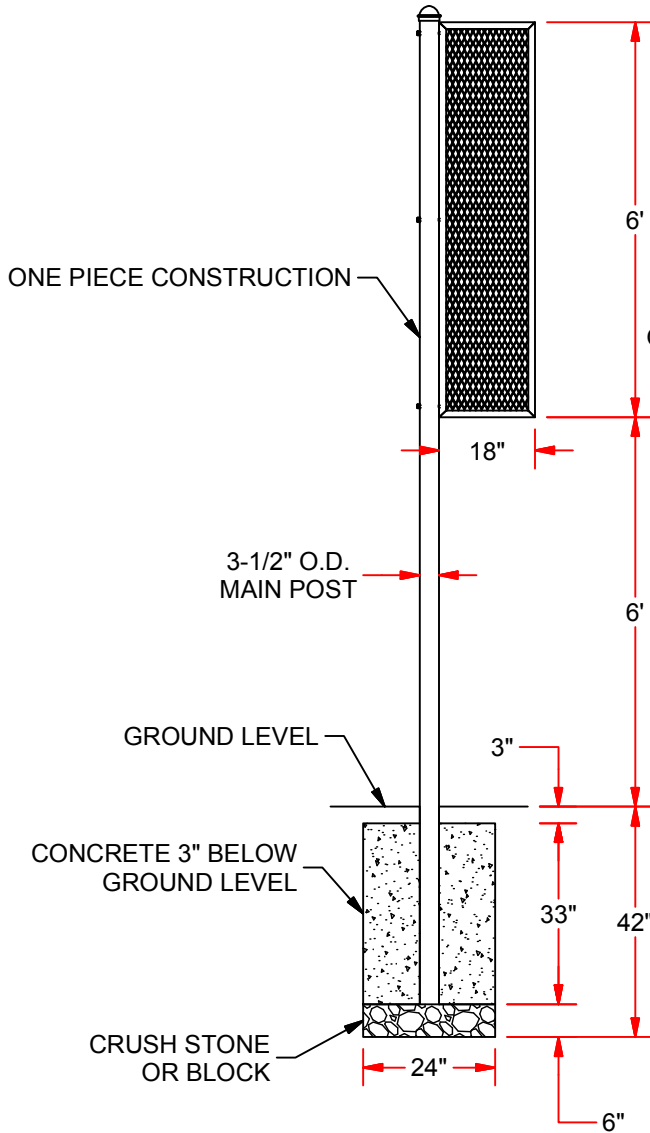


BBSBFP-12

12' Baseball / Softball Foul Pole



* MANUFACTURER RECOMMENDS THE FOOTING BE REINFORCED WITH 6 PIECES OF 3/4" REBAR.

FEATURES:

- HEAVY DUTY 3-1/2" STEEL O.D. MAIN POST
- 6' HIGH x 18" WIDE WING PANEL
- WING PANEL IS ALL STEEL EXPANDED METAL
- TOUGH POWDER COATED YELLOW FINISH WITH GALVANIZED UNDER COAT
- PERMANENTLY INSTALLED FOUL POLE

REV.	DESCRIPTION	DATE	BY
-	INITIAL RELEASE	6/15/11	Moone T.
A	WING PANEL CLEARANCE	6/20/11	Moone T.
B	UPDATED CAD MODEL	5/31/13	Moone T.

BBSBFP-12
12' Baseball / Softball Foul Pole

THIS PRINT IS THE PROPERTY OF JAYPRO SPORTS, LLC.
AND MAY NOT BE REPRODUCED WITHOUT WRITTEN PERMISSION

www.jaypro.com



FAX: 860.444.1779 (SALES)
860.440.0628 (ENG.)

PHONE: 800.243.0533 (TOLL FREE)
860.447.3001 (LOCAL)

JAYPRO SPORTS, LLC, 976 HARTFORD TURNPIKE, WATERFORD, CT 06385 USA

DRAWING NAME / PART NUMBER: BBSBFP-12	
DRAWN BY: Moone T.	ISSUE DATE: 6/15/2011
CHK'D BY: WVB	CHK DATE: 5/31/2013
SHEET: 1 OF 1	REV. B