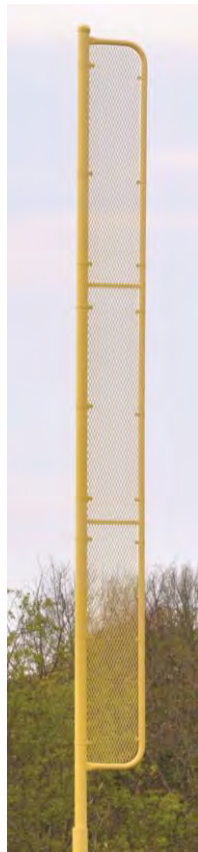




-- BBFP-30 --
(30' PROFESSIONAL FOUL POLE)
Installation Instructions

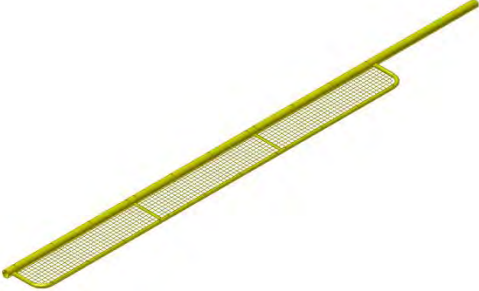








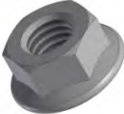


Call Jaypro Sports Equipment at 1-800-243-0533
during regular business hours for technical support.

www.jaypro.com

JAYPRO SPORTS

30' Professional Foul Pole, BBFP-30
 QUANTITY IS FOR ONE COMPLETE FOUL POLE

ITEM	QTY	IMAGE	DESCRIPTION
1	1		TOP FOUL POLE ASSEMBLY WITH PRE-ASSEMBLE SCREEN PANELS
2	1		168-1/4" LOWER FOUL POLE SECTION
3	1		YELLOW POWDER COATED CAP
4	1		61" GROUND SLEEVE (<i>OPTIONAL</i>)
5	1		#12-14 SELF-DRILLING SCREW, ZP
6	3		1/2"-13 NYLON LOCK HEX NUT, ZP
7	6		1/2" SAE FLAT WASHER, ZP
8	3		1/2"-13 x 6" HEX HD CAP BOLT, ZP
9	2		1/2"-13 x 8" LONG THREADED ROD
10	4		1/2"-13 FLANGE NUT, ZP
ITEM	QTY	IMAGE	DESCRIPTION

IMPORTANT NOTICE:

- 1) BEFORE EACH USE CHECK EQUIPMENT FOR PROPER CONNECTING HARDWARE AND STRUCTURAL INTEGRITY. REPLACE DAMAGED OR MISSING HARDWARE IMMEDIATELY.
- 2) USE OF THIS EQUIPMENT OTHER THAN INTENDED, MAY BE HAZARDOUS.
- 3) ALTERATION OR MODIFICATION OF THIS EQUIPMENT MAY BE HAZARDOUS AND RESULT IN INJURY. FOR REPAIR OR REPLACEMENT, CONTACT YOUR DEALER OR JAYPRO SPORTS.

ASSEMBLY INSTRUCTIONS

TOOLS REQUIRED:

- (1) 3/4" x 48" Long Re-Bar (*Consult with local building code*)
- (1) 3/4" Socket Wrench and Box Wrench
- (1) Rubber Mallet
- (1) Lifting Device (*i.e. Crane*)
- (1) Concrete
- (1) Leveling Device

- Unpack all parts and check against parts list to ensure that all have been included.
- Inspect all parts for damage. Report any damages to the trucking company.

I. Site Prep

1. Determine the proper location of foul poles on the playing field, as shown in figure 1. Dig the footing holes to the dimensions as shown on the illustration on the next page. **These are suggested dimensions for average soil conditions, consult local building codes.**
2. Pour 6" concrete footing pad and allow fully curing, or use two concrete blocks or crushed stone, to rest foul pole on (figure 2).

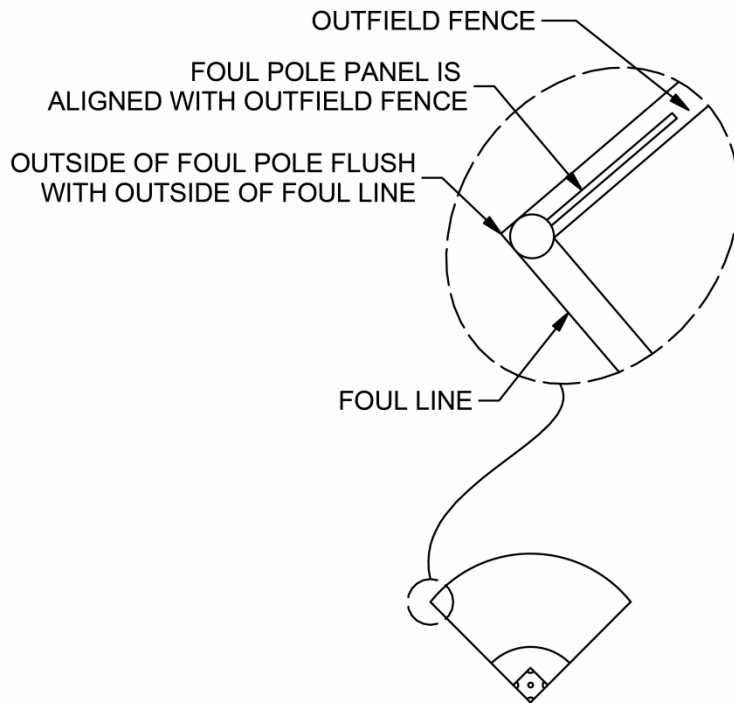


FIGURE: 1

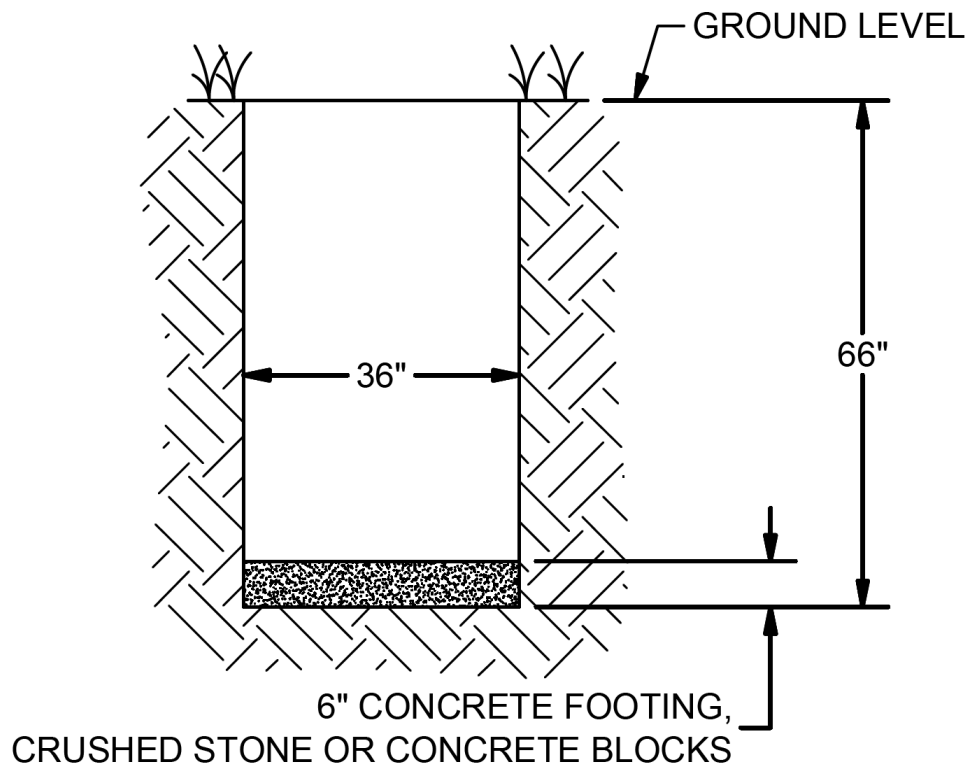
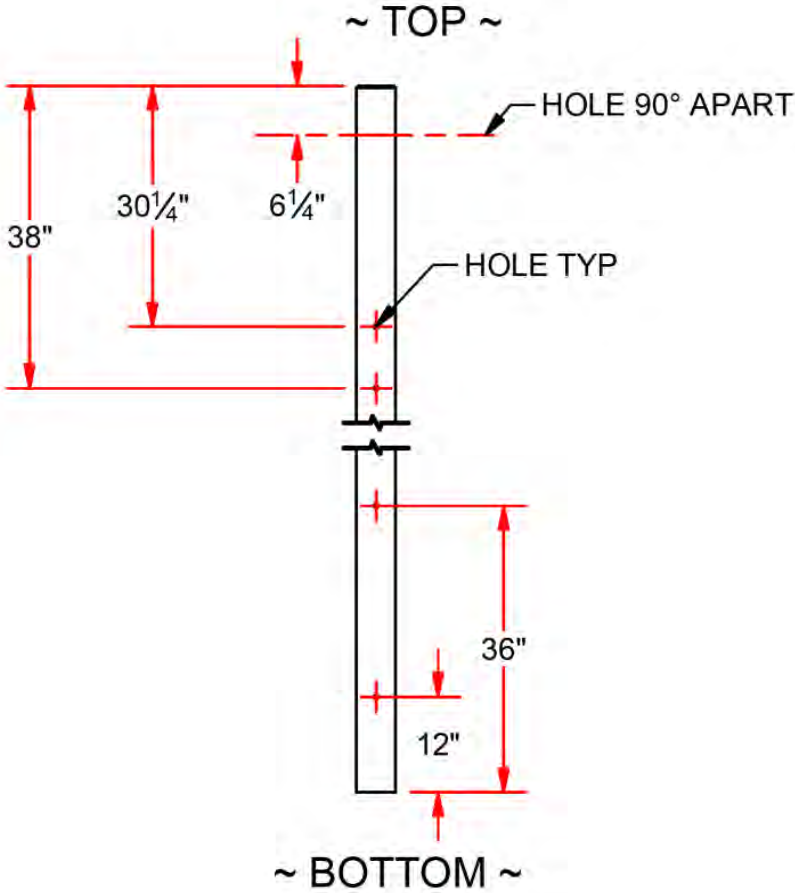


FIGURE: 2

1. For a permanent installation refer to SECTION II.
2. For a semi-permanent installation (w/ ground sleeve) refer to SECTION III.
3. Identify the orientation of the lower foul pole's top & bottom.



II. Permanent Installation Lower Pole:

1. Install two anti-rotation rods into the bottom side of the lower foul pole. Center rods within the pole and install 1/2" flange nuts on both ends (see figure 3).
2. Install the "safety stop bolt" hardware into the third hole from the top (see figure 4). This will allow the top pole to rest inside the lower foul pole during assembly.
3. Place the lower pole into the footing and fully support it in a plumbed position.
4. Pour concrete into the footing and reinforce with six 3/4" x 48" long rebar (*consult local building code. Rebar not included, to be provided by installer*) evenly space around the spot for the lower foul pole.
5. Slope the top of the footing for drainage if desired. Wait for concrete to fully cure (approx. 48 hours) before proceeding to attach the top foul pole section.
6. Now proceed to the top pole section.

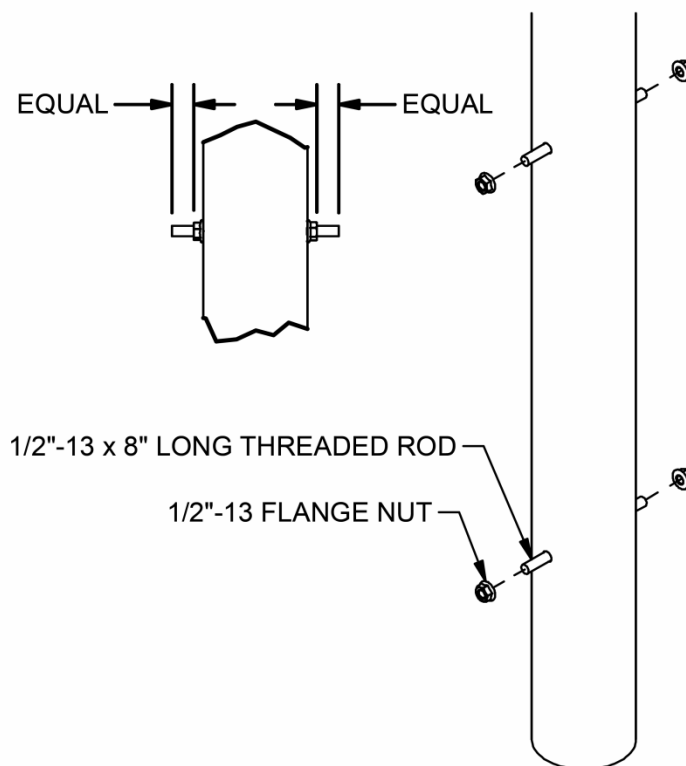


FIGURE: 3

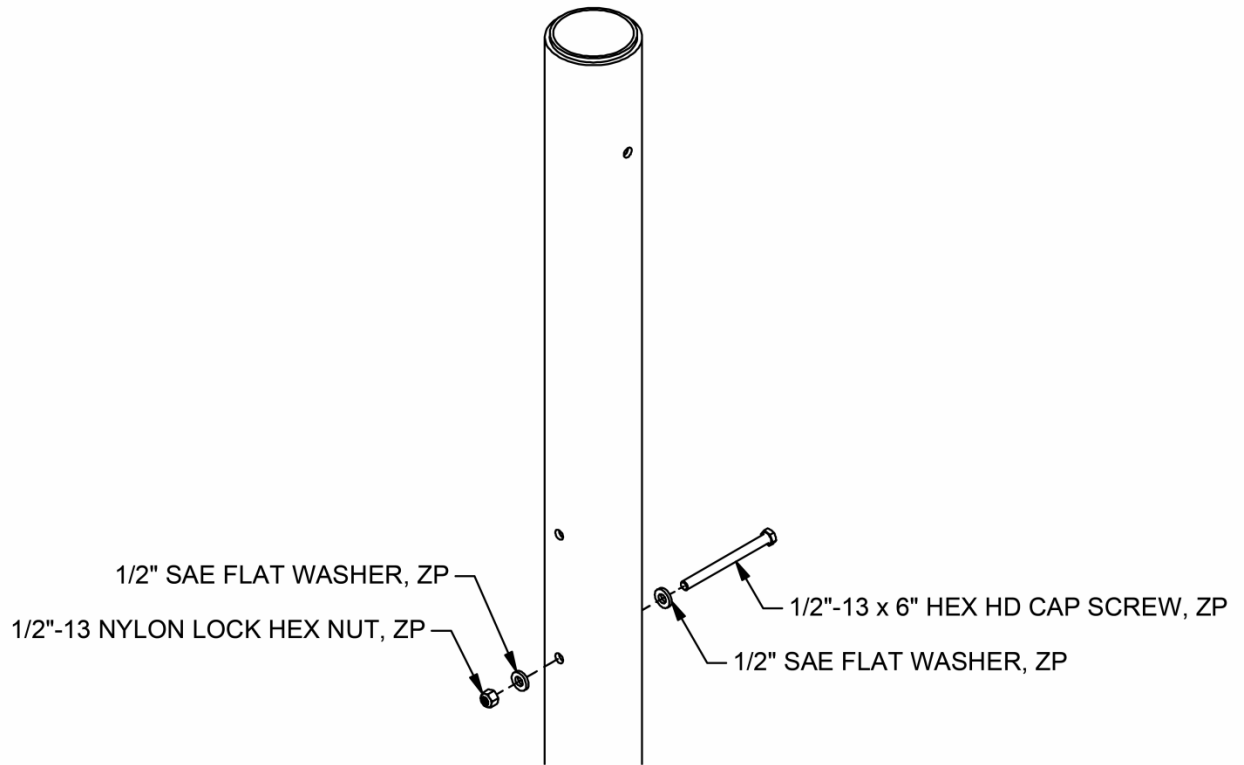


FIGURE: 4

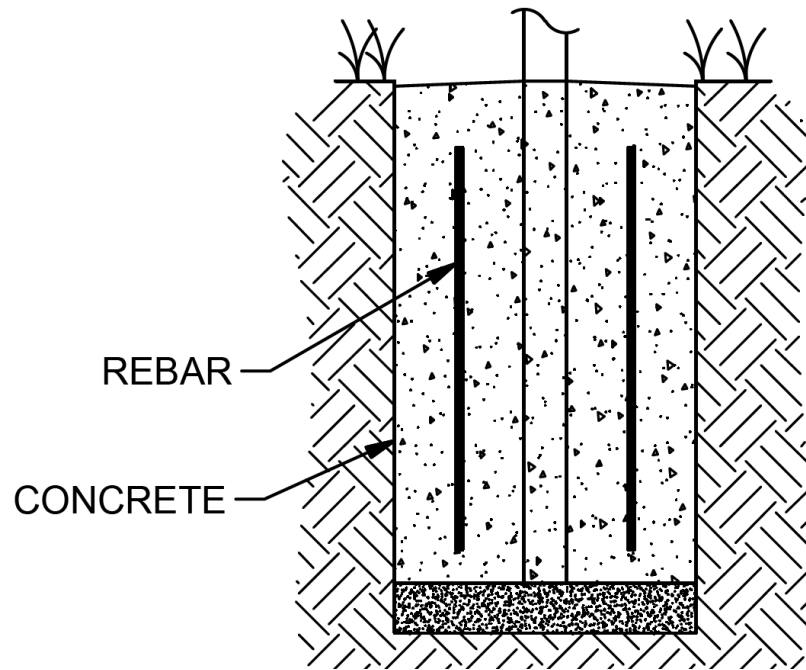


FIGURE: 5

Top Pole:

1. Install the yellow powder coated cap on top of foul pole with #12-14 self-drilling screw (figure 6).
2. Using a lifting device (crane) insert the top foul pole into the lower foul pole. Rotate the post so that the panels are to the inside of the field.
3. Line up and orient the panels in the top foul pole to be perpendicular to the foul line. Drill two holes using the pre-drill hole as a guide in the lower foul pole. *Note drill holes for 1/2" hardware.*
4. Attach the top and lower foul poles together with 1/2" hardware as shown on figure 7.
5. After assembly is complete, fill gaps around the joints between the top and lower pole with polyurethane or silicone caulk / sealant.
6. Spray / paint expose hardware if desired.

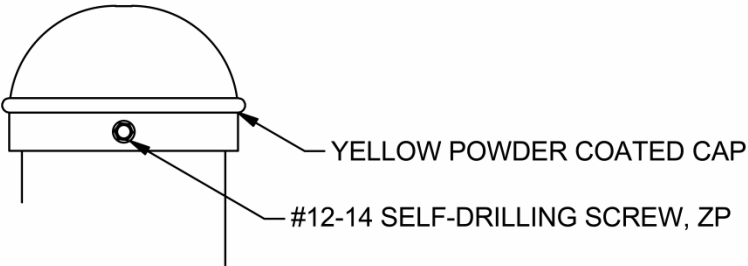
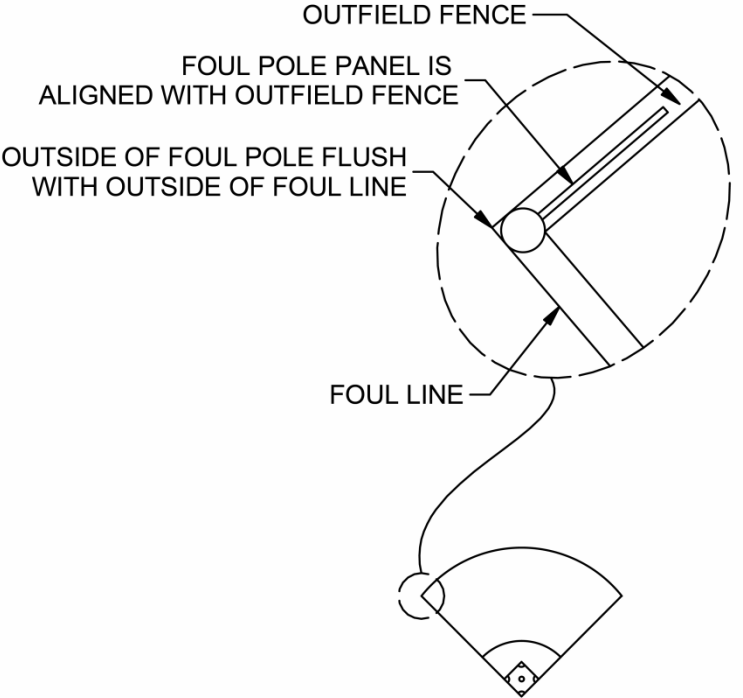


FIGURE: 6

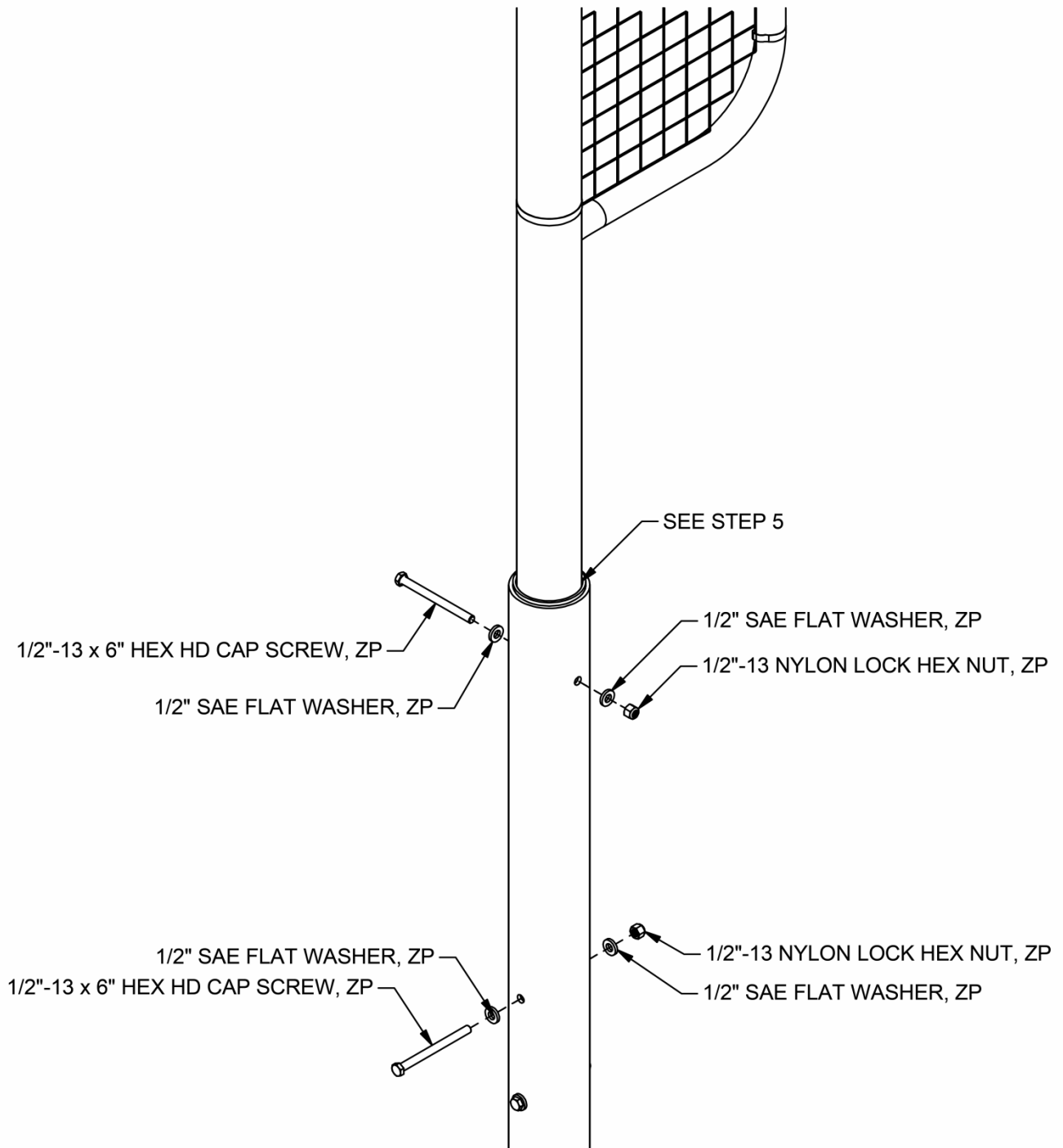


FIGURE: 7

III. Semi-Permanent Installation
Ground Sleeve:

1. Place the ground sleeve into the footing and fully support it in a plumbed position (figure 8).
2. Pour concrete into the footing and reinforce with six 3/4" x 48" long rebar (*consult local building code. Rebar not included, to be provided by installer*) evenly space around the spot for the lower foul pole.
3. Slope the top of the footing for drainage if desired. Wait for concrete to fully cure (approx. 48 hours) before proceeding to attach the top foul pole section.
4. Now proceed to the next section.

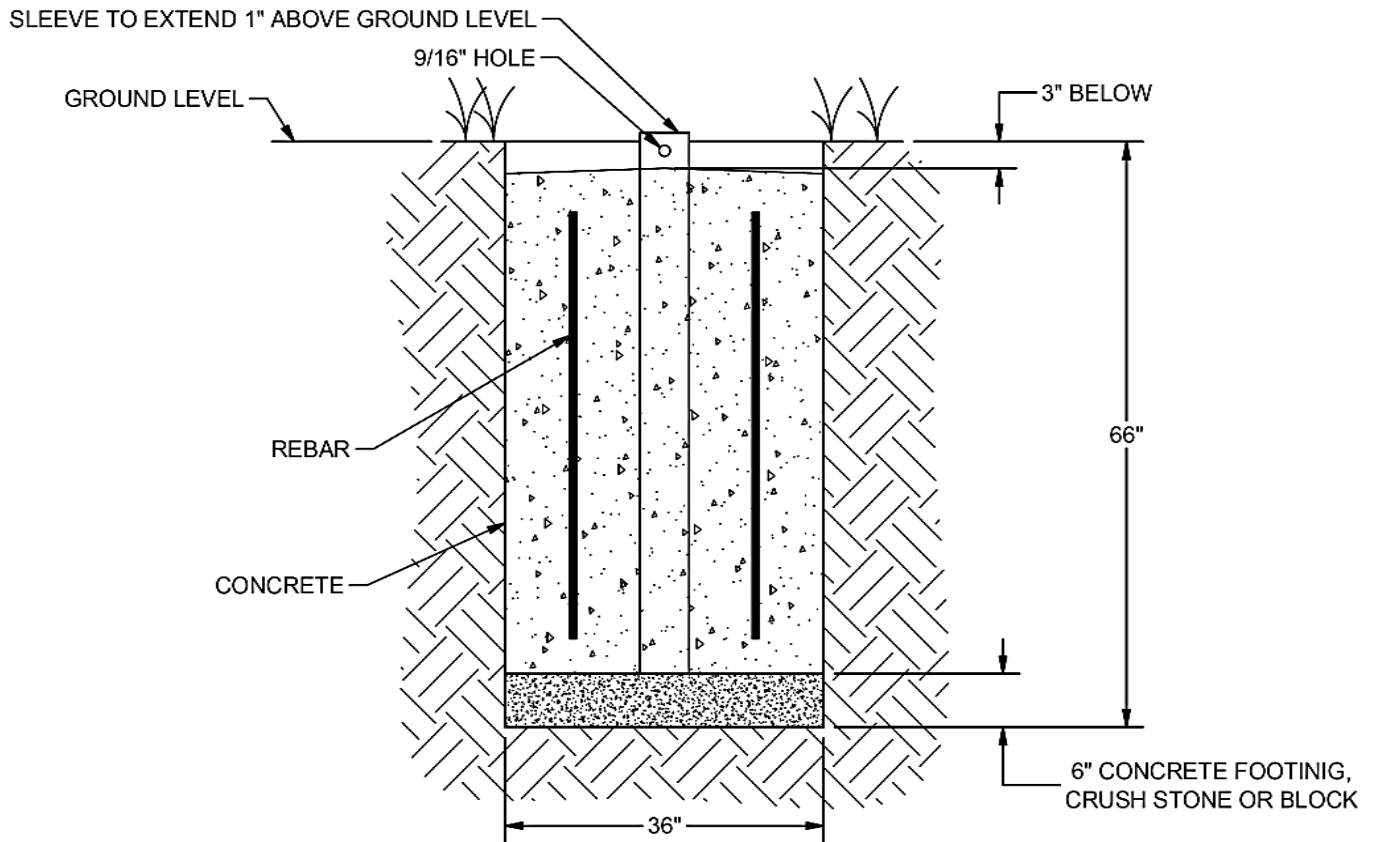


FIGURE: 8

Foul Pole Assembly:

1. Install the "safety stop bolt" hardware into the third hole from the top (see figure 9). This will allow the top pole to rest inside the lower foul pole during assembly.
2. Install the yellow powder coated cap on top of foul pole with #12-14 self-drilling screw (figure 10).
3. Drill two holes using the pre-drill hole as a guide in the lower foul pole. *Note drill holes for 1/2" hardware.*
4. Assembly the top and lower foul poles with 1/2" hardware as shown on figure 11.
5. Using a lifting device (crane) insert the assembled foul pole into the ground sleeve. Rotate the post so that the panels are to the inside of the field (figure 1). Drill a hole thru the post using the hole in the ground sleeve as a guide (figure 12).
6. Install the 1/2" thread rod and flange nuts (figure 12).
7. After assembly is complete, fill gaps around the joints between the top and lower pole with polyurethane or silicone caulk / sealant.
8. Spray / paint expose hardware if desired.

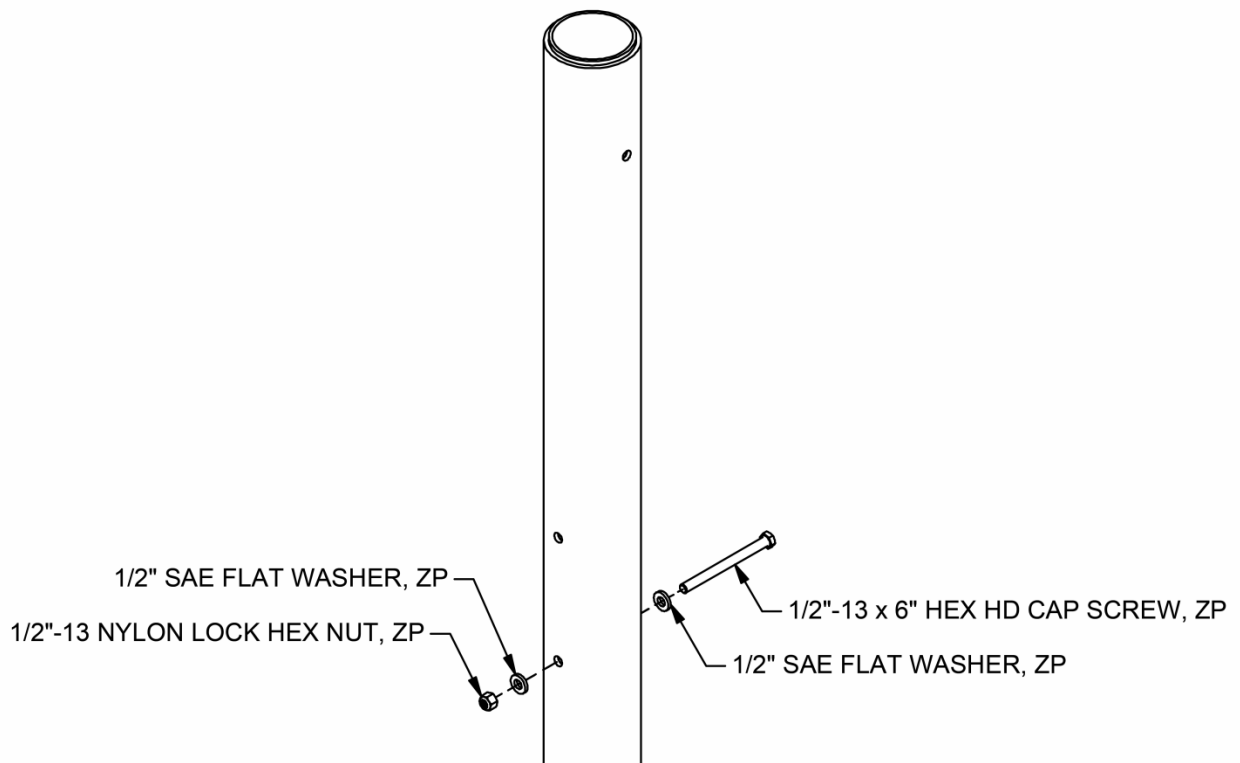


FIGURE: 9

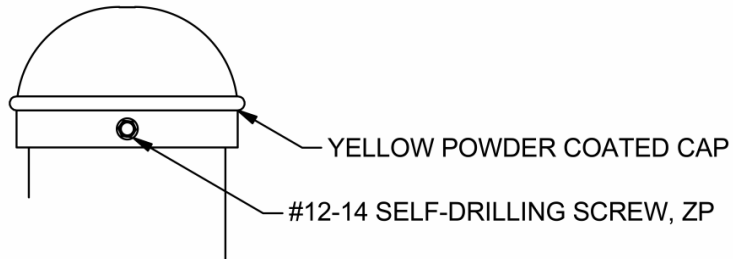


FIGURE: 10

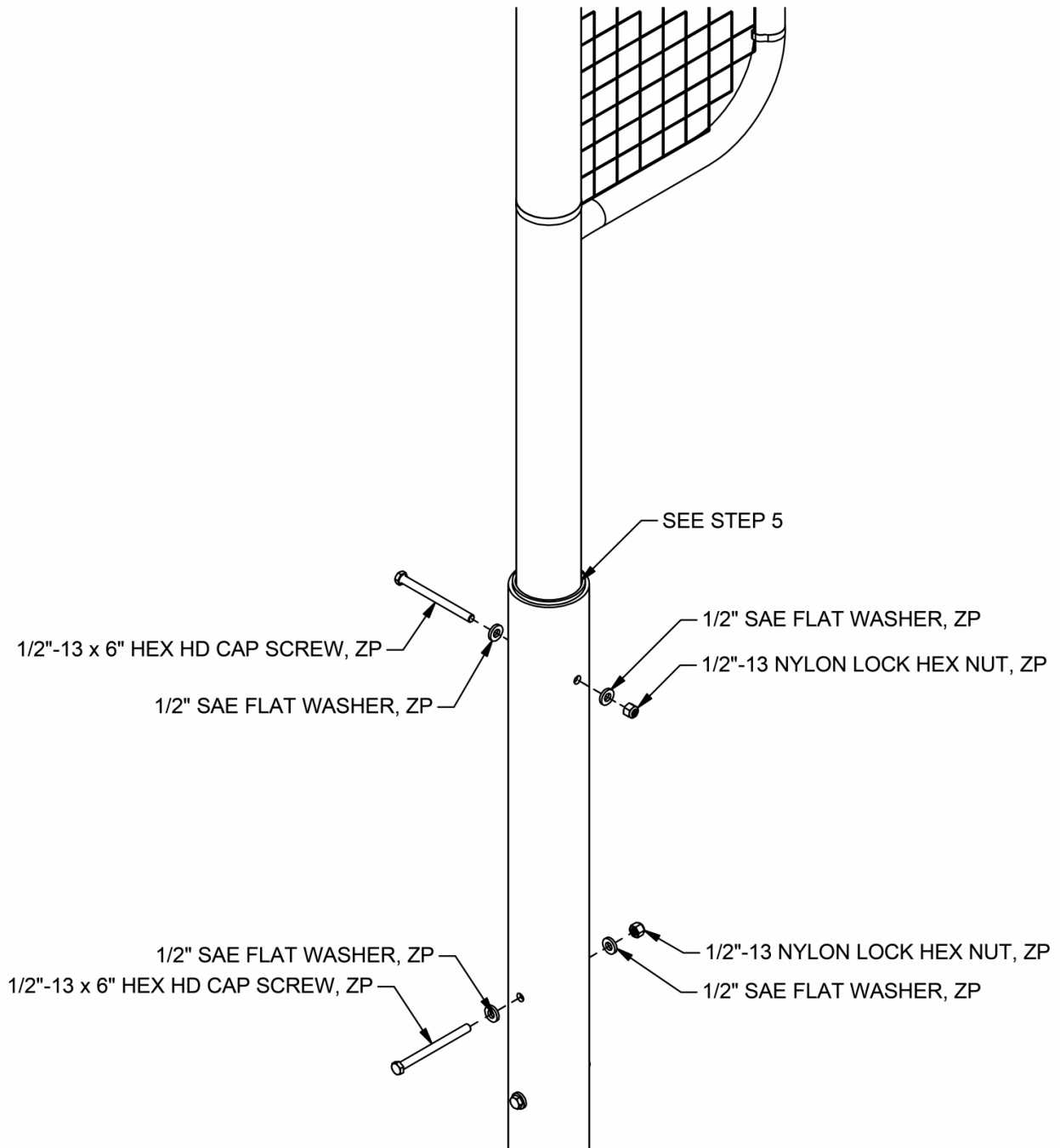


FIGURE: 11

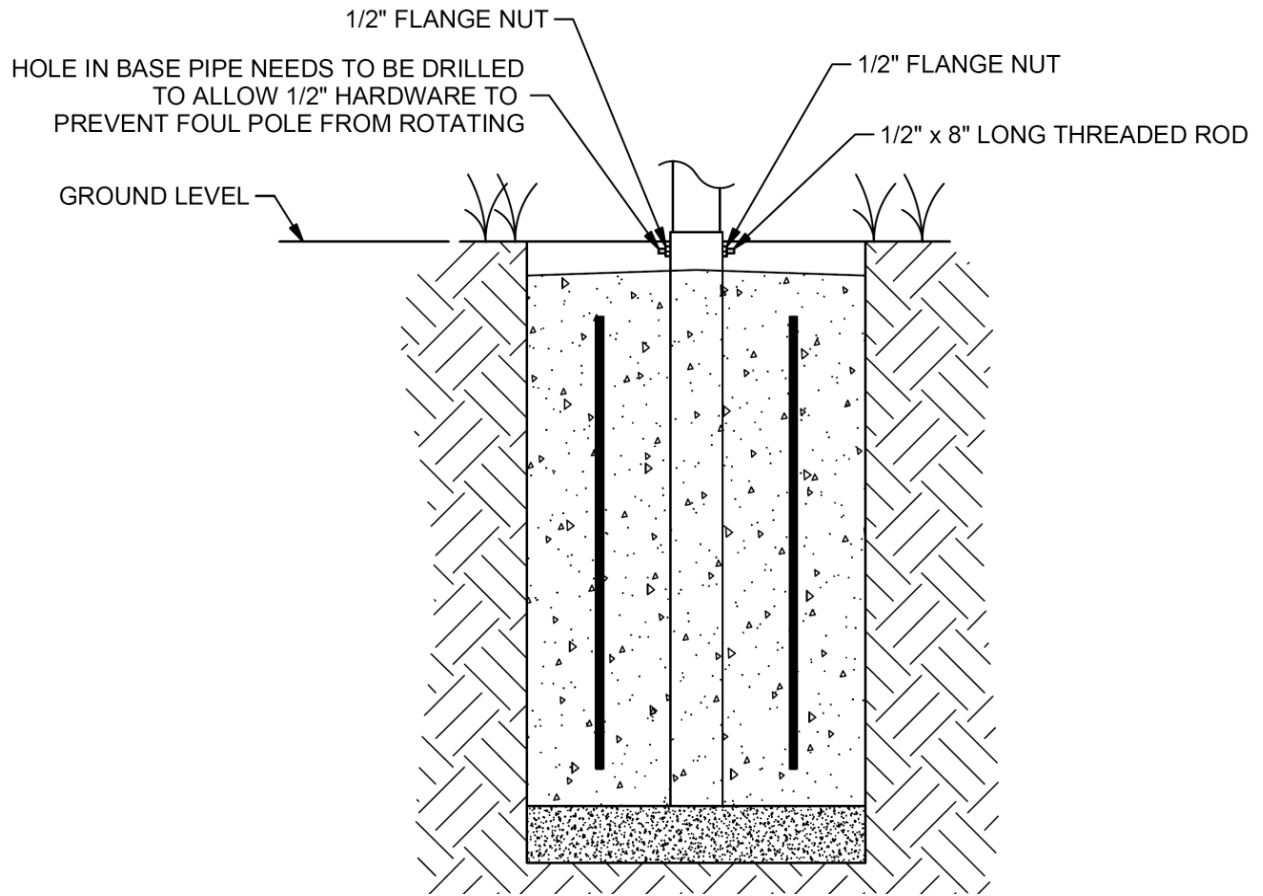


FIGURE: 12