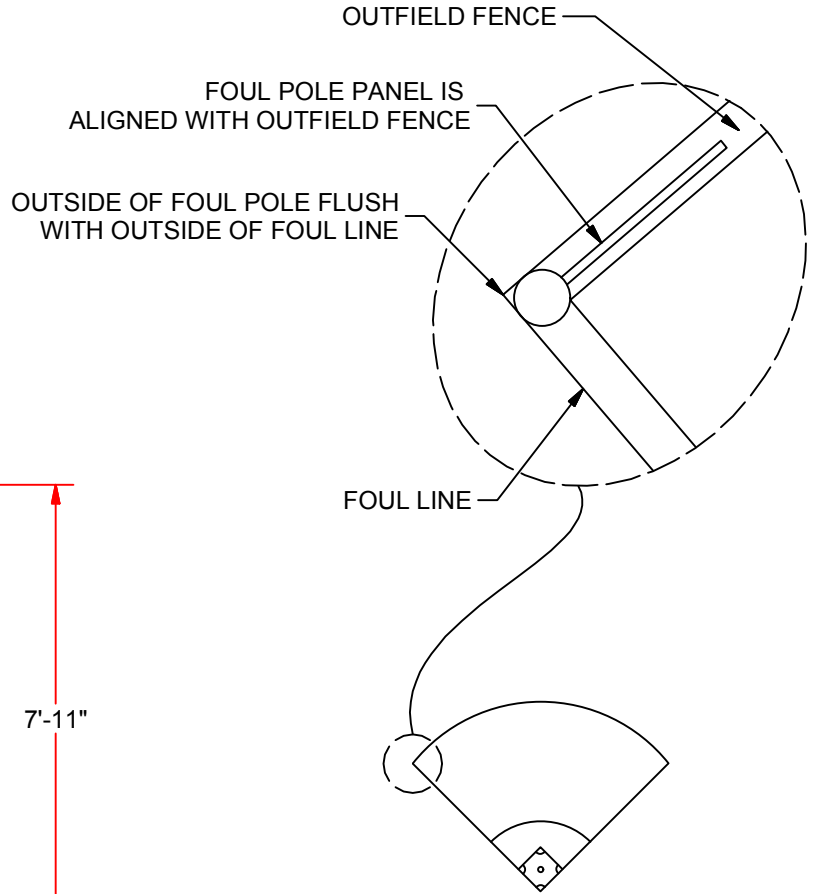
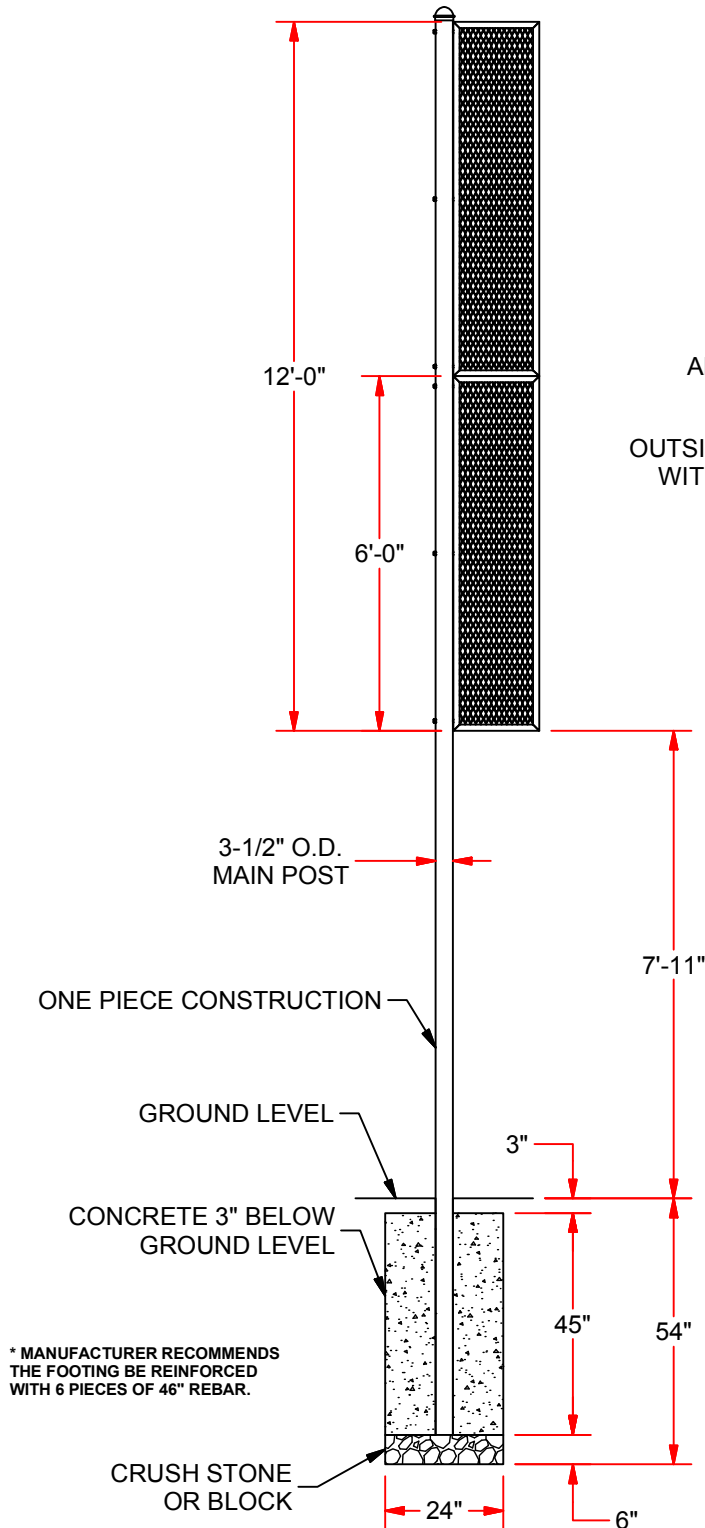


# BBCFP-20

20' Collegiate Foul Pole



**FEATURES:**

- HEAVY DUTY 3-1/2" STEEL O.D. MAIN POST
- 12' HIGH x 18" WIDE WING PANEL
- WING PANEL IS ALL STEEL EXPANDED METAL
- TOUGH POWDER COATED YELLOW FINISH WITH GALVANIZED UNDER COAT
- PERMANENTLY INSTALLED FOUL POLE

\* MANUFACTURER RECOMMENDS THE FOOTING BE REINFORCED WITH 6 PIECES OF 46" REBAR.

REV.	DESCRIPTION	DATE	BY
-	INITIAL RELEASE	6/15/11	Moone T.
A	WING PANEL CLEARANCE	6/23/11	Moone T.
B	UPDATED CAD MODEL	5/31/13	Moone T.

**BBCFP-20**  
20' Collegiate Foul Pole



FAX: 860.444.1779 (SALES) 860.440.0628 (ENG.)  
PHONE: 800.243.0533 (TOLL FREE) 860.447.3001 (LOCAL)  
JAYPRO SPORTS, LLC, 976 HARTFORD TURNPIKE, WATERFORD, CT 06385 USA

DRAWING NAME / PART NUMBER: <b>BBCFP-20</b>	
DRAWN BY: Moone T.	ISSUE DATE: 6/15/2011
CHK'D BY: WVB	CHK DATE: 5/31/2013
SHEET: 1 OF 1	REV: B

THIS PRINT IS THE PROPERTY OF JAYPRO SPORTS, LLC. AND MAY NOT BE REPRODUCED WITHOUT WRITTEN PERMISSION