



--- BLPS-84 ---
(BIG LEAGUE PITCHER'S SAFETY PROTECTOR)
Installation Instructions



Call Jaypro Sports Equipment at 1-800-243-0533
during regular business hours for technical support.

www.jaypro.com

JAYPRO SPORTS

BLPS-84, 8' x 8' BIG LEAGUE PITCHER'S SAFETY PROTECTOR

IMPORTANT NOTICE:

- 1) BEFORE EACH USE CHECK EQUIPMENT FOR PROPER CONNECTING HARDWARE AND STRUCTURAL INTEGRITY. REPLACE DAMAGED OR MISSING HARDWARE IMMEDIATELY.
- 2) USE OF THIS EQUIPMENT OTHER THAN INTENDED, MAY BE HAZARDOUS.
- 3) ALTERATION OR MODIFICATION OF THIS EQUIPMENT MAY BE HAZARDOUS AND RESULT IN INJURY. FOR REPAIR OR REPLACEMENT, CONTACT YOUR DEALER OR JAYPRO SPORTS.

ASSEMBLY INSTRUCTIONS

TOOLS REQUIRED:

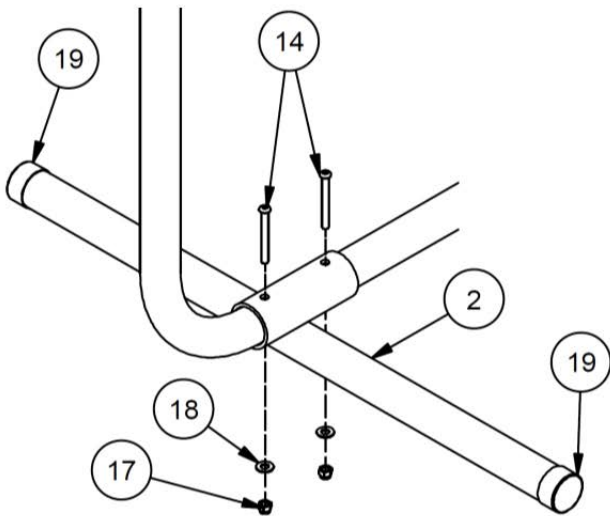
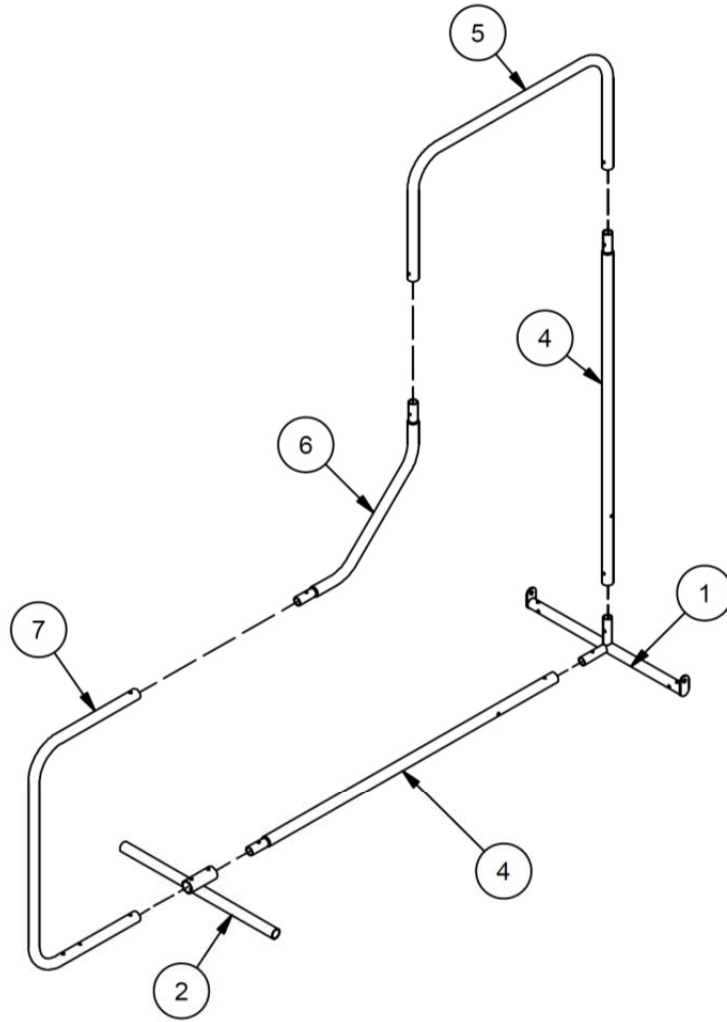
- (1) 7/8" & 9/16" Socket Wrench and Box Wrench
- (1) 3/16" & 7/32" Allen Wrench (PROVIDED)
- (1) Rubber Mallet

Note: To maximize safety and eliminate exposed threads sticking out, there are two different lengths of 5/16" button head screws being used: 2" & 2-1/4". Pay close attention to select the correct length.

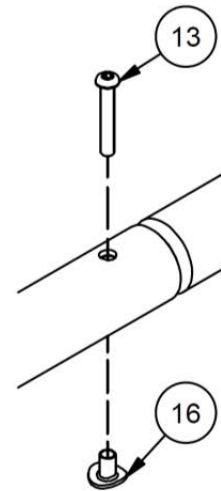
- Unpack all parts and check against parts list to ensure that all have been included.
- Inspect all parts for damage. Report any damages to the trucking company.

1	1	WHEEL BASE FRAME
2	1	FRONT BASE SUPPORT
3	4	BIG LEAGUE SUPPORT
4	2	STRAIGHT FRAME PIPE
5	1	TOP FRAME PIPE
6	1	ELBOW
7	1	LOWER FRAME PIPE
8	2	WHEEL 10" x 4" NO FLAT TIRE
9	2	5/8"-11 x 4 1/2" HEX HD BOLT, ZP
10	2	5/8"-11 THIN NYLON LOCK NUT, ZP
11	16	5/8" WASHER, ZP
12	2	5/8"-11 JAM NUT, ZP
13	10	5/16"-18 x 2" BUTT HD CAP SCREW, SS
14	2	3/8"-16 x 3" BUTT HD CAP SCREW, SS
15	2	5/16"-18 x 2-1/4" BUTT HD CAP SCREW, SS
16	12	5/16"-18 CURVED FLANGE NUT, SS
17	2	3/8"-16 HEX HD LOCKNUT, ZP
18	2	3/8" SAE FLAT WASHER, ZP
19	2	1 1/2" END CAP
20	1	1/8" CORD (50 FT ROLL)
21	1	SAFE FOAM PADDING
22	1	#42 KNOTLESS NYLON DOUBLE-SIDED SLIP-ON NET
ITEM	QTY	DESCRIPTION

ASSEMBLE THE MAIN FRAME:

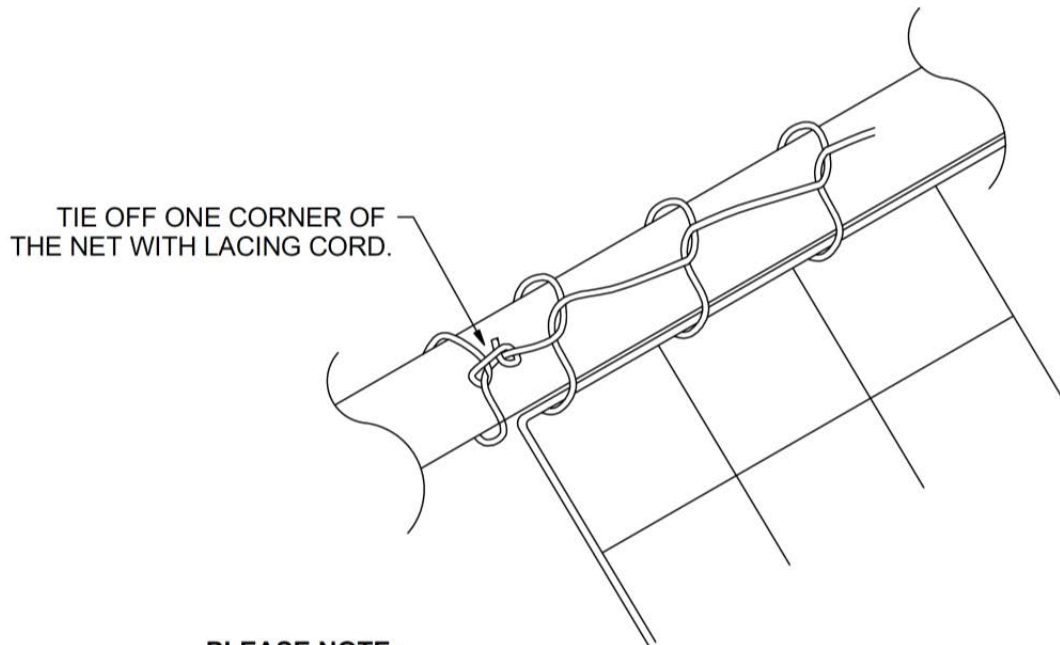


FRONT LEG ASSEMBLY



TYPICAL PIPE ASSEMBLY

INSTALL NET:



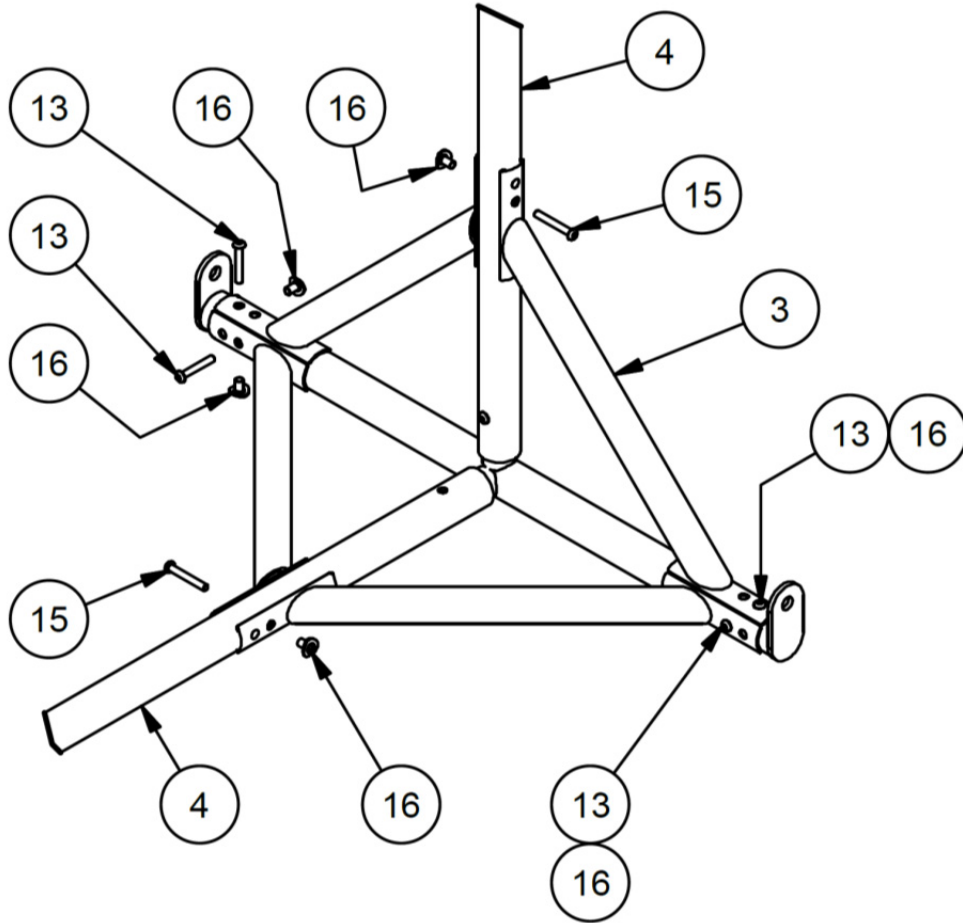
PLEASE NOTE:

- THE TYPE OF MATERIAL AND SIZE OF THE MESH WILL DETERMINE THE APPROPRIATE LACING DIMENSION.
- ALWAYS LACE CLOSE ENOUGH TO PREVENT THE PLAYING BALL FROM PASSING THROUGH ANY GAPS.
- USE HALF HITCH TYPE KNOTS ALONG THE LENGTH OF YOUR FRAME.
- DRAW EACH KNOT TIGHT BEFORE CONTINUING.

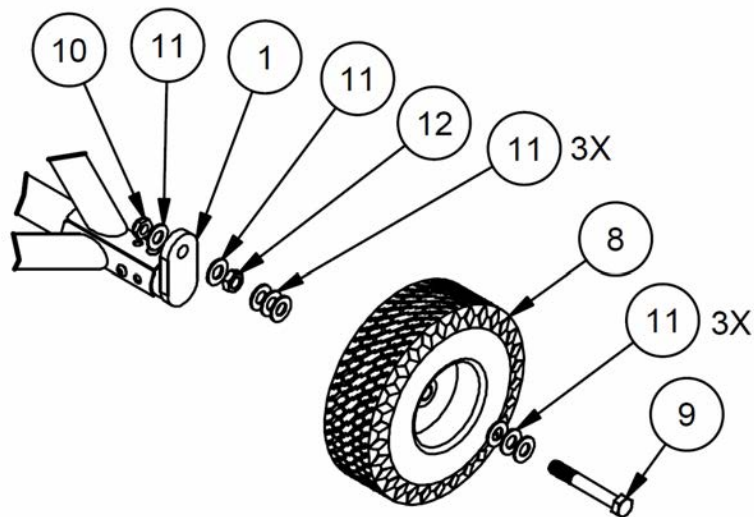
Figure: A

- 1) Lay the net out and identify the low side and open end. Slide the net over the top of the frame, placing the open end at the bottom of the screen. Lace the open end of the net with the cord provided, as shown in Figure A.

ASSEMBLE SUPPORT BRACE:



ASSEMBLE WHEEL:



OPTIONAL ACCESSORY:

- 1) Wrap the optional safety padding around the inside corner of the frame for arm protection. Lace in place using the cord provided.