



--- BLFS-101 ---
(BIG LEAGUE FUNGO SCREENS)
Installation Instructions



Call Jaypro Sports Equipment at 1-800-243-0533 during regular business hours for technical support.

www.jaypro.com

JAYPRO SPORTS
BLFS-101, 10' x 10' BIG LEAGUE FUNGO SCREENS

IMPORTANT NOTICE:

- 1) BEFORE EACH USE CHECK EQUIPMENT FOR PROPER CONNECTING HARDWARE AND STRUCTURAL INTEGRITY. REPLACE DAMAGED OR MISSING HARDWARE IMMEDIATELY.
- 2) USE OF THIS EQUIPMENT OTHER THAN INTENDED, MAY BE HAZARDOUS.
- 3) ALTERATION OR MODIFICATION OF THIS EQUIPMENT MAY BE HAZARDOUS AND RESULT IN INJURY. FOR REPAIR OR REPLACEMENT, CONTACT YOUR DEALER OR JAYPRO SPORTS.

ASSEMBLY INSTRUCTIONS

TOOLS REQUIRED:

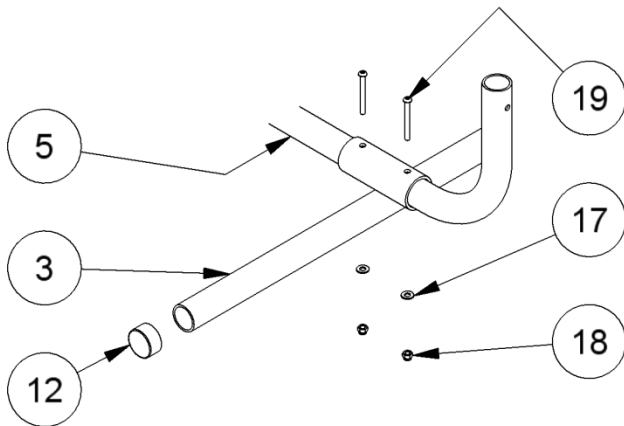
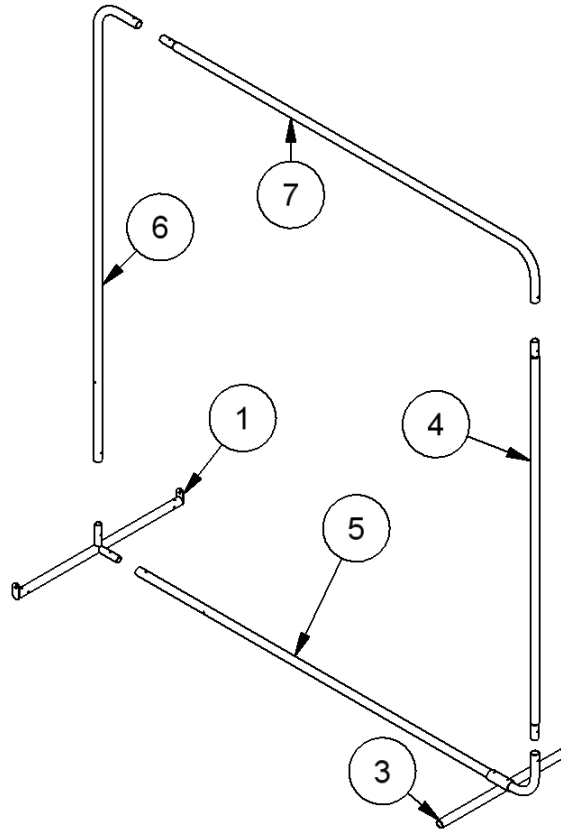
- (1) 7/8" & 9/16" Socket Wrench and Box Wrench
- (1) 3/16" & 7/32" Allen Wrench (PROVIDED)
- (1) Rubber Mallet

Note: To maximize safety and eliminate exposed threads sticking out, there are three different lengths of 5/16" & 3/8" button head screws being used: 2", 2-1/4" and 3". Pay close attention to select the correct length.

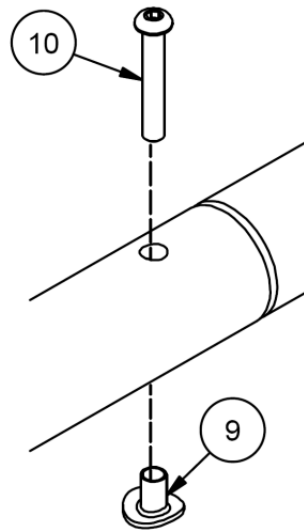
- Unpack all parts and check against parts list to ensure that all have been included.
- Inspect all parts for damage. Report any damages to the trucking company.

1	1	48" WHEEL BASE FRAME
2	4	48" BIG LEAGUE SUPPORT
3	1	FRONT BASE SUPPORT
4	1	FRONT UPRIGHT
5	1	BOTTOM FRAME PIPE
6	1	REAR UPRIGHT
7	1	TOP FRAME PIPE
8	2	WHEEL 10" x 4" NO FLAT TIRE
9	11	5/16"-18 CURVED FLANGE NUT, SS
10	9	5/16"-18 x 2" BUTT HD CAP SCREW, SS
11	16	5/8" WASHER, ZP
12	2	1 1/2" END CAP
13	2	5/16"-18 x 2-1/4" BUTT HD CAP SCREW, SS
14	2	5/8"-11 THIN NYLON LOCK NUT, ZP
15	2	5/8"-11 JAM NUT, ZP
16	2	5/8"-11 x 4 1/2" HEX HD BOLT, ZP
17	2	3/8" FLT SAE, SS
18	2	3/8"-16 NYLON LOCK NUT, SS
19	2	3/8"-16 x 3" BUTT HD CAP SCREW, SS
20	1	1/8" DIAMOND BRAID NYLON ROPE BLACK (30 FT)
21	1	#42 KNOTLESS NYLON DOUBLE-SIDED SLIP-ON NET
ITEM	QTY	DESCRIPTION

ASSEMBLE THE MAIN FRAME:

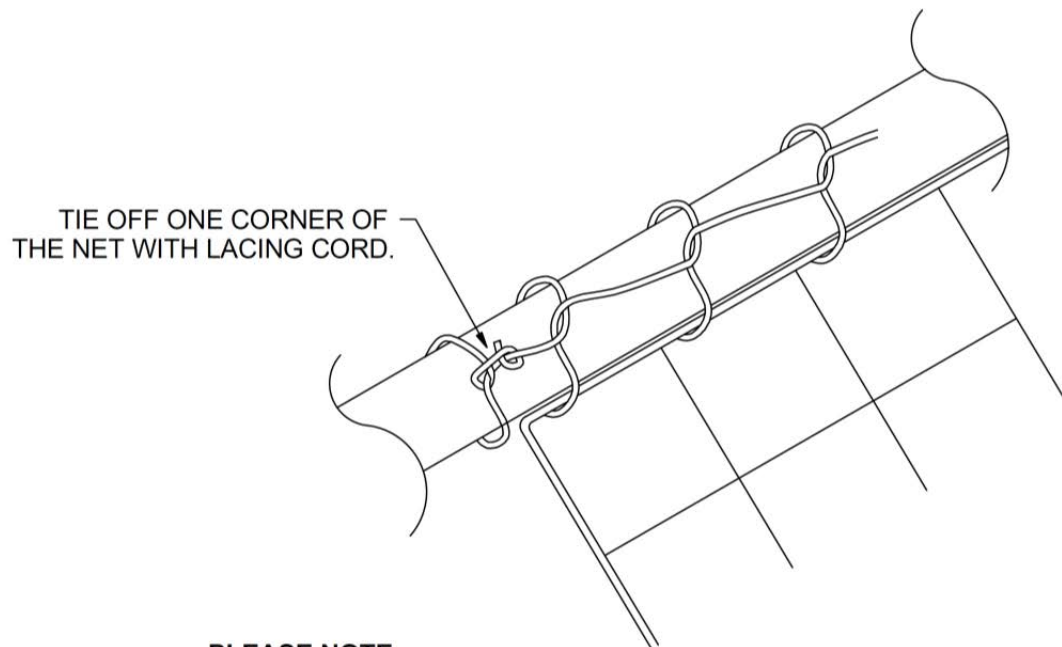


FRONT LEG ASSEMBLY



TYPICAL PIPE ASSEMBLY

INSTALL NET:



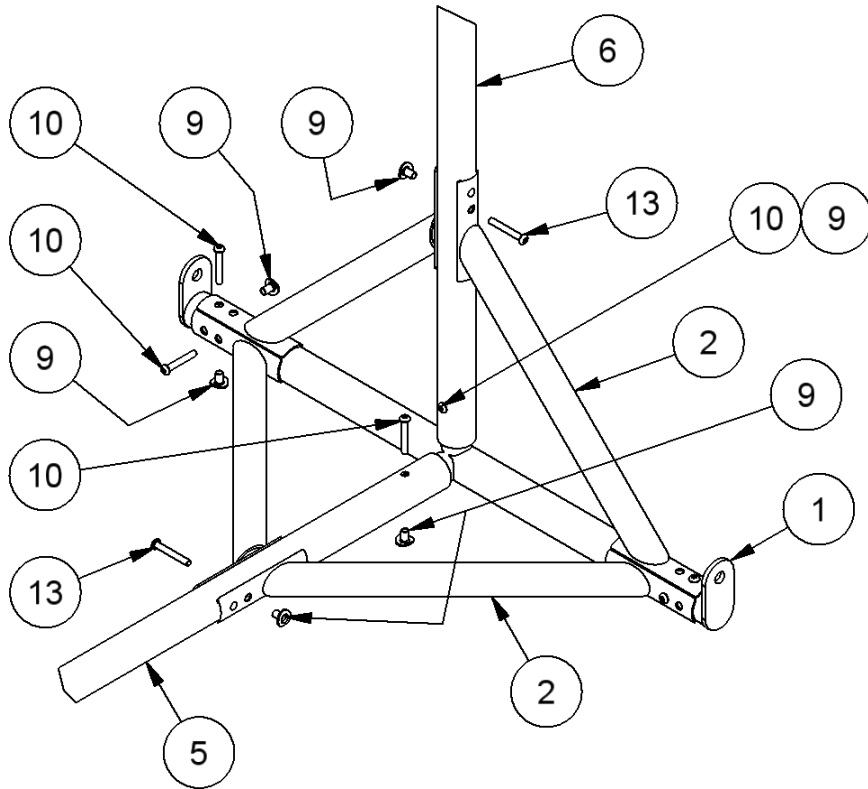
PLEASE NOTE:

- THE TYPE OF MATERIAL AND SIZE OF THE MESH WILL DETERMINE THE APPROPRIATE LACING DIMENSION.
- ALWAYS LACE CLOSE ENOUGH TO PREVENT THE PLAYING BALL FROM PASSING THROUGH ANY GAPS.
- USE HALF HITCH TYPE KNOTS ALONG THE LENGTH OF YOUR FRAME.
- DRAW EACH KNOT TIGHT BEFORE CONTINUING.

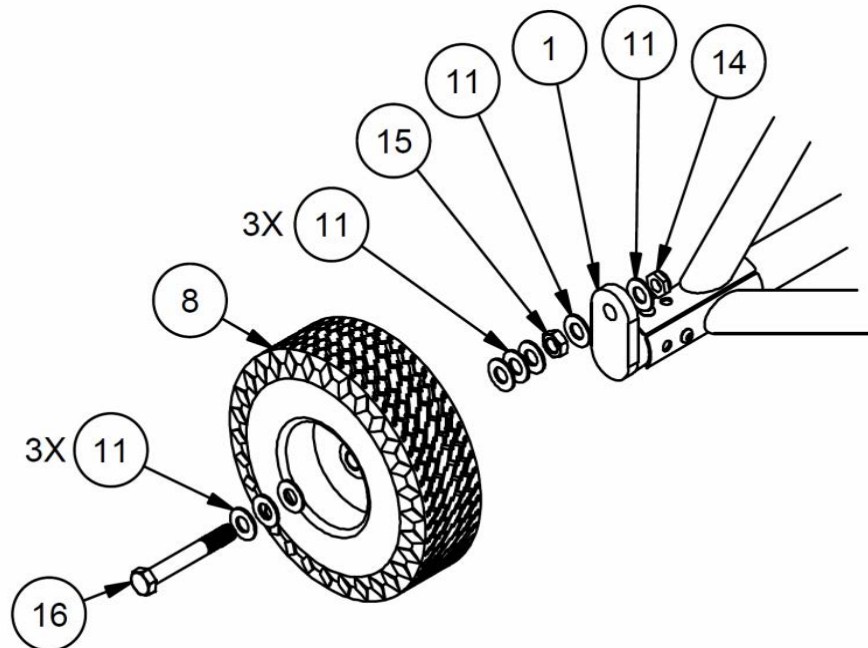
Figure: A

- 1) Lay the net out and identify the low side and open end. Slide the net over the top of the frame, placing the open end at the bottom of the screen. Lace the open end of the net with the cord provided, as shown in Figure A.

ASSEMBLE SUPPORT BRACE:



ASSEMBLE WHEEL:



- Using at least 2 people, lift the frame onto the vertical position.
- Sand bags are recommended for added support in high wind areas.