



LINEMEN CHUTE

INSTALLATION INSTRUCTIONS



MODELS FBLC-30 & FBLC-20

1. Introduction

This user guide describes how to assemble Models FBLC-30 and FBLC-20 Linemen Chutes. The user guide is written for experienced mechanical contractors or technicians. If you need additional information or support to assemble your Linemen Chute you can reach the Jaypro Sports customer support team, Monday through Friday, 8 AM to 5 PM Eastern Time at 1-800-243-0533.

2. Important Safety Precautions and Use Instructions

- When adjusting the frame height hold the handle to pull the pin. **Caution**, there is a lot of weight on each leg, keep hands and fingers clear of the inner leg when raising or lowering.
- Adjust the chain lengths to angle the stretcher frame. Let chain out to lower one side and shorten the other to raise the opposite side.
- Moving the Linemen Chute requires (2) two people, one on each end.
- No one should ever be allowed to climb on any part of the equipment. Special care should be taken to insure it is never used as a trampoline or balance beam.
- When not in use place in a secure location to avoid misuse such as climbing.
- Any use other than what is intended by the manufacturer can be dangerous.

3. Assembly Precaution

- The Linemen Chute components are heavy and require at least two people to assemble. To maintain control and prevent injury when moving heavy components, ensure you have a sufficient number of technicians to support the components without dropping them.

4. Equipment and Materials

Gather the following user-supplied equipment and materials:

- Wrenches and sockets 9/16 and 3/4 inch
- Open ended 15/16 inch wrench
- Thread lock
- White Lithium Grease
- Optional scaffolding (enough components to make two levels)

5. Before You Start Assembly

1. Unpack all parts and check against parts list to ensure that all parts have been included.
2. Inspect all parts for damage. Report any damages to the trucking company.
3. Find an area that is open and flat to assemble your Linemen Chute.
4. The scaffolding that is listed with the tools needed to assemble the Linemen Chute is used to support the load bars during assembly. The load bars weigh approximately 200 pounds and if scaffolding is not available, you will need some type of support to keep the load bar raised up at between 50 and 60 inches while the two halves of the load bar are assembled and then while the end frames are assembled to the load bar. **(SEE FIGURE -1)**

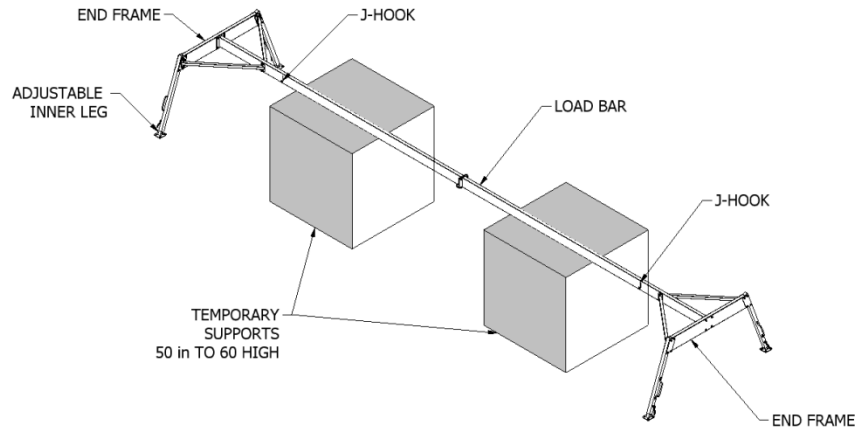


FIGURE-1

6. End Frame Assembly

Assemble both end frames. With the end frame lying on the ground make the assembly of the frame to the legs. Lightly grease the inner legs using lithium grease. When installing the spring lock (**FIGURE 5**) use Thread Lock to secure the handle to the spring lock.

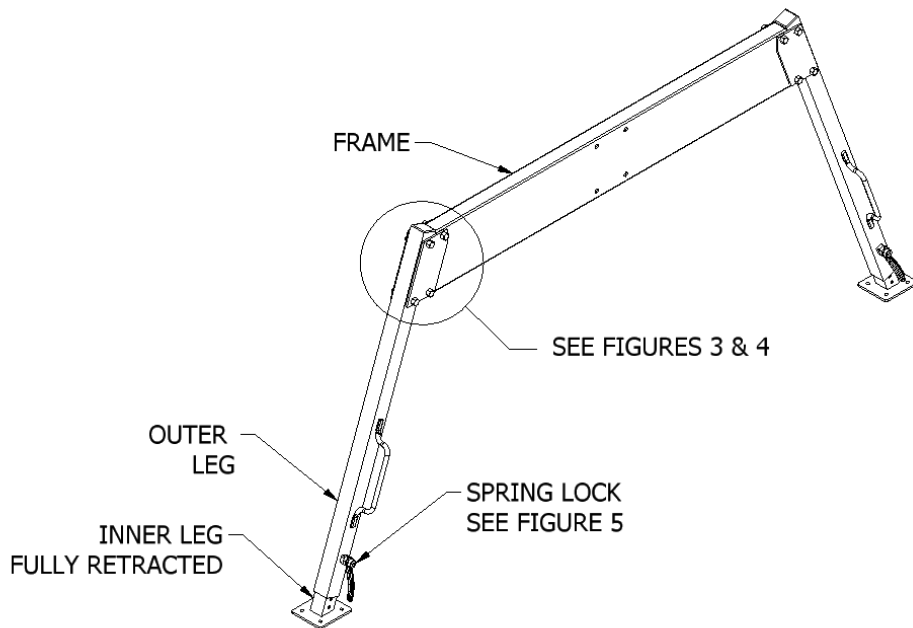
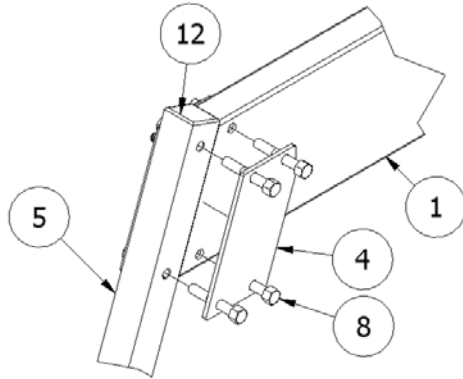


FIGURE-2

DO NOT ATTACH WHEELS TO SIDE FRAMES AT THIS TIME (SEE STEP 8)

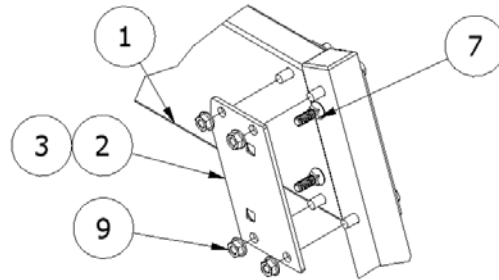
ITEM	QTY	DESCRIPTION
1	2	2 in x 8 in END FRAME
2	2	LEFT LEG MNTG PLATE
3	2	RIGHT LEG MNTG PLATE
4	4	LEG MOUNTING PLATE
5	4	OUTER LEG
6	4	INNER LEG

7	8	½-13 PLOW BOLT
8	16	½-13 x 3 inch HEX BOLT
9	16	½-13 FLANGE NUT
10	4	HANDLE
11	4	SPRING LOCK PIN
12	4	SQUARE BLACK CAP
13	4	5/8-11 HEX JAM NUT



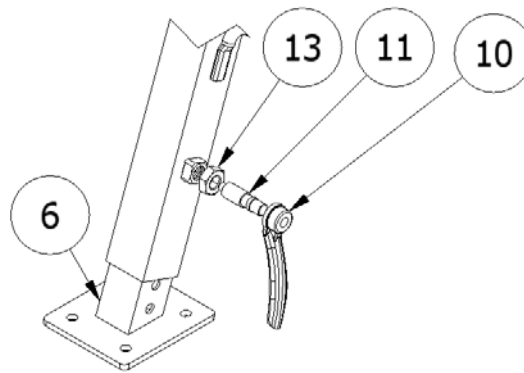
FRONT SIDE
TYPICAL

FIGURE-3



INSIDE
MOUNTING PLATES ARE LEFT AND RIGHT
WITH COUNTERSINK FACING INWARD

FIGURE-4



LOCK ASSEMBLY

FIGURE-5

7. Frame Assembly

Assemble the frame as shown here in steps 7 through 7c, attach the hardware loosely and make snug once all parts have been attached and squared up.

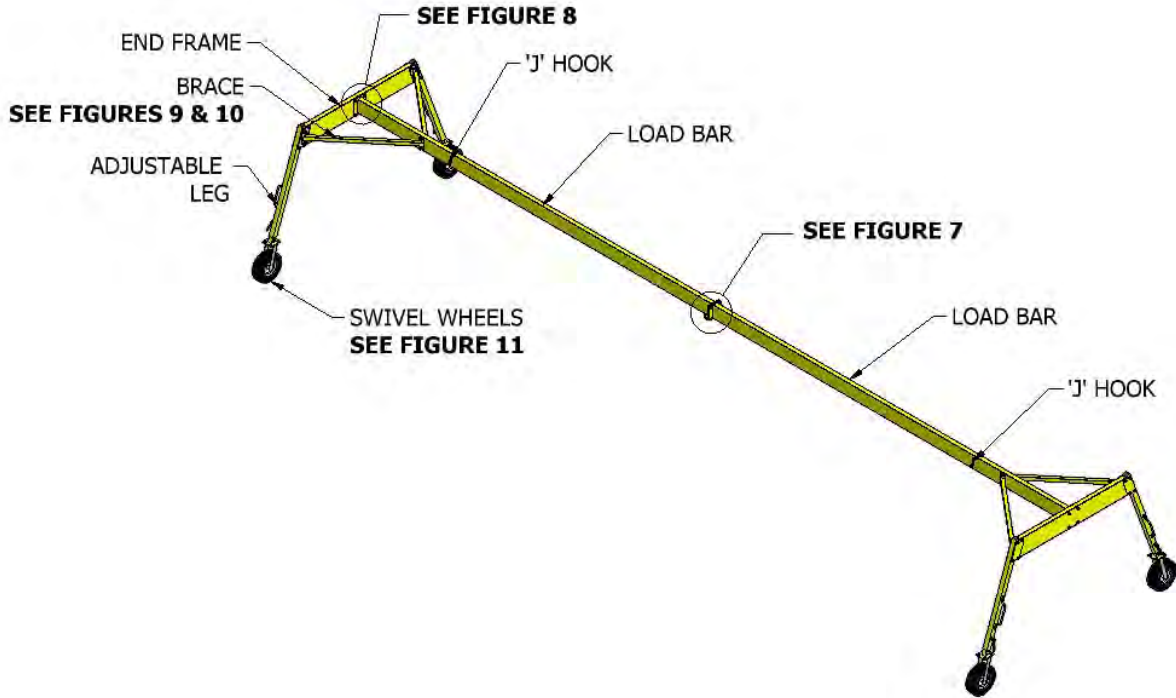


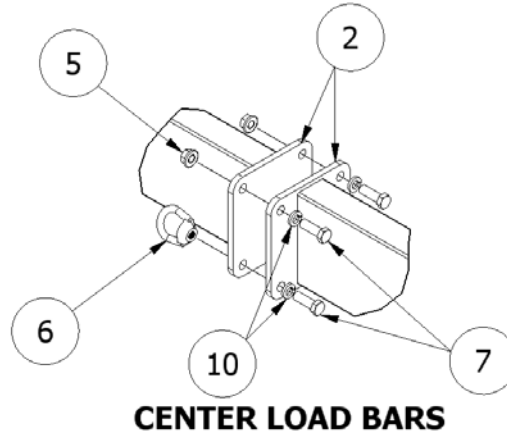
FIGURE-6

ITEM	QTY	DESCRIPTION
1	2	END FRAME
2	2	LOAD BAR
3	4	BRACE
4	12	½-13 HEX NUT
5	10	½-13 FLANGE NUT

6	2	½-13 EYENUT
7	4	½-13 x 1 ½ inch HEX BOLT
8	4	½-13 x 3 ½ inch HEX BOLT
9	6	½-13 x 3 inch HEX BOLT
10	16	½ inch SPLIT WASHER
11	24	½ inch FLAT WASHER

7a. Assemble Load Bar

With the load bars approximately level with each other and sitting on top of the scaffolding between 50 and 60 inches assemble the two halves. **(SEE FIGURE 7)** Note: the J-Hooks welded to the load bars should be located at the far ends of the load bar assembly with the J-HOOKS open ends facing up. **(FIGURE-17)**

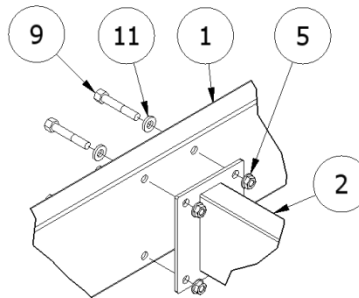


CENTER LOAD BARS

FIGURE-7

7b. Load Bar to End Frames

Before lifting the end frame to connect to the load bar extend the inner legs out so that when the frame is stood up, the frame and the load bar will be at the same height. This will make the assembly easier and eliminate the need for the helpers to lift all of the weight of the end frame while the hardware is assembled. **(SEE FIGURE 8)**



LOAD BAR TO FRAME

FIGURE-8

7c. Brace Assembly

Assemble all four braces to the frame and load bar. (SEE FIGURES 9 & 10) Retracting the legs will help when fitting the braces to the Load Bar.

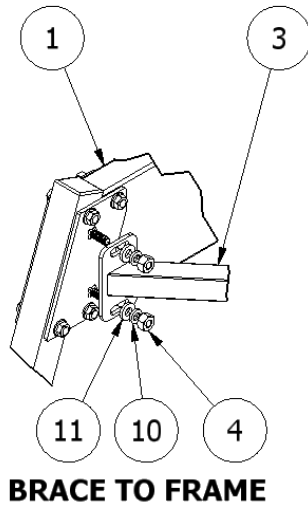


FIGURE-9

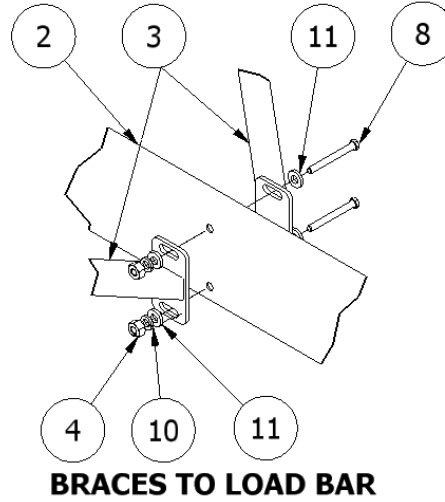


FIGURE-10

8. Wheel Assembly

With the scaffolds still be in place raise the legs and attach the wheels. (SEE FIGURE 11) When the wheels have all been attached extend the legs so that the weight of the Linemen Chute is now on the wheels and off the scaffolds. NOTE: Maintaining the proper tire inflation makes moving the Linemen Chute less difficult, the tires should be inflated to 50 PSI. The scaffolds can now be removed.

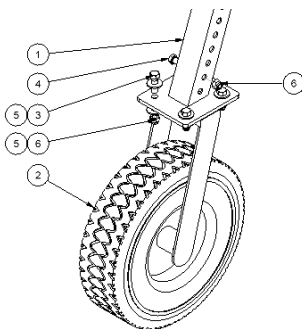


FIGURE-11

ITEM	QTY	DESCRIPTION
1	4	INNER LEG
2	4	12 INCH SWIVEL WHEEL
3	16	3/8-16 x 1 ¼ inch HEX BOLT
4	4	3/8-16 x 2 ¼ inch HEX BOLT
5	32	3/8 inch FLAT WASHER
6	20	3/8-16 inch LOCKNUT

9. Stretcher Frame Assembly

Assemble the stretcher frame (**FIGURES 12a OR 12b**) on the ground. See **Figures 13, 14 and 15** for connections. Hang the frame from the load bar before attaching the screen. (**SEE FIGURES 16, 17 and 18**) The screen is attached under the stretcher frame and after stretcher frame is attached to load bar.

MODEL FBLC-30 STRETCHER

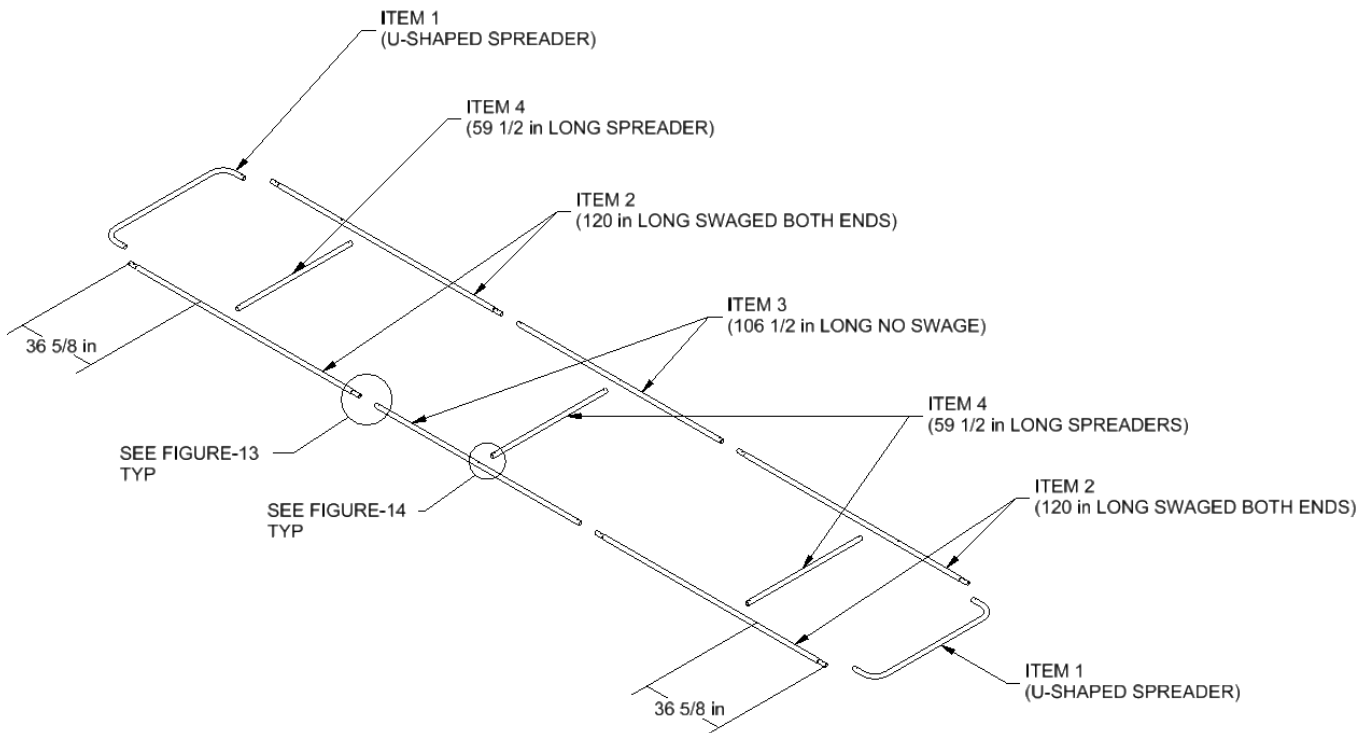


FIGURE-12a

ITEM	QTY	DESCRIPTION
1	2	U-SHAPED SPREADER PIPE
2	4	SWAGED PIPE (120 inches)
3	2	CENTER PIPE (106 ½ inches)
4	3	SPREADER PIPE (59 ½ inches)
5	12	1.9 in CARRIAGE CLAMP
6	12	3/8-16 x 2 ¾ CARRIAGE BOLT
7	6	3/8-16 EYE NUT
8	6	3/8-16 NYLOCK NUT
9	8	5/16-18 x 2 inch BUTTON HEAD
10	8	5/16-18 CURVED FLANGE NUT

MODEL FBLC-20 STRETCHER

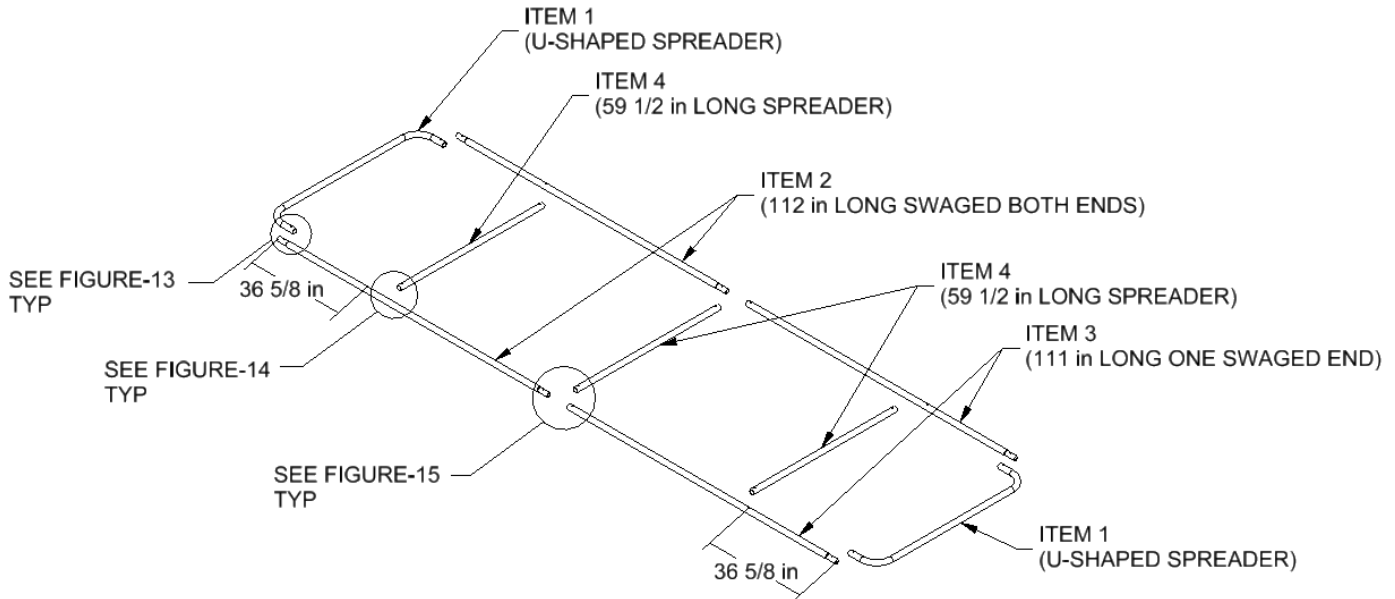
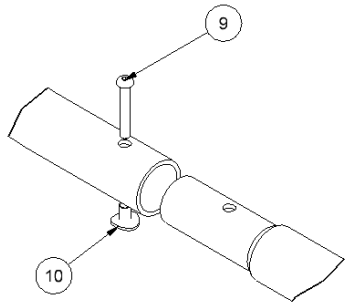


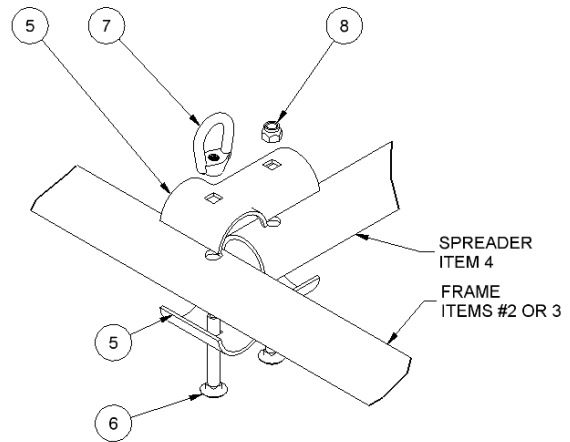
FIGURE-12b

ITEM	QTY	DESCRIPTION
1	2	U-SHAPED SPREADER TUBE
2	2	SWAGED BOTH ENDS PIPE (112 inches)
3	2	SWAGED ONE END (111 inches)
4	3	SPREADER PIPE (59 ½ inches)
5	12	1.9 in CARRAGE CLAMP
6	12	3/8-16 x 2 ¼ in CARRIAGE BOLT
7	6	3/8-16 EYE NUT
8	6	3/8-16 NYLOCK NUT
9	4	5/16-18 x 2 in BUTTON HEAD
10	4	5/16-18 CURVED FALNGE NUT



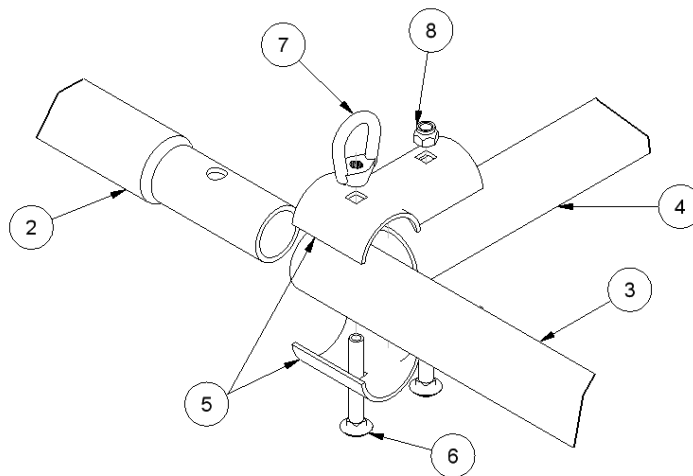
FRAME ASSEMBLY
 (8 PLACES MODEL FBLC-30)
 (4 PLACES MODEL FBLC-20)

FIGURE-13



SPREADER ATTACHMENT
 (6 PLACES MODEL FBLC-30)
 (4 PLACES MODEL FBLC-20)

FIGURE-14



CENTER SPREADER ATTACHMENT
 ONLY ON MODEL FBLC-20 STRETCHER
 (2 PLACES)

FIGURE-15

10. Stretcher to Load Bar

The stretcher frame is attached to the Load Bar with chain and quick links as shown below. The chain allows for some adjustability in the height between sides of the stretcher frame. When horizontal with the ground the stretcher frame should be 12 inches from the load bar.

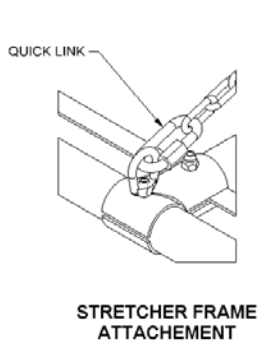


FIGURE-16

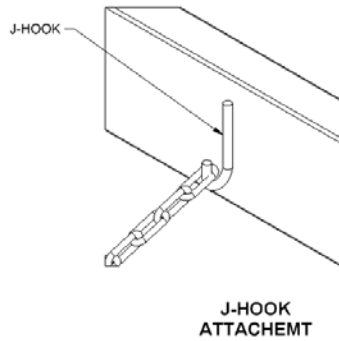


FIGURE-17

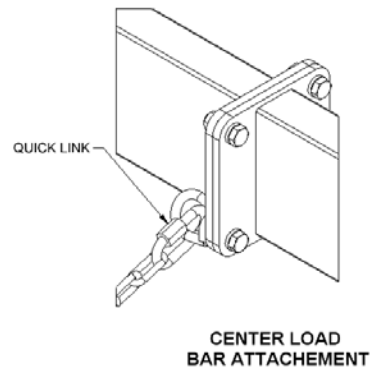


FIGURE-18

11. Attach Screen to Stretcher Frame

Using the bungee balls supplied start by putting only one bungee ball close to the center of each of the short sides, and two or three equally spaced on each long side. Then working around the frame install the remainder of the bungee balls. Roll the ball up over the frame so that it rests on the top side of the screen. **(SEE FIGURE 19)**

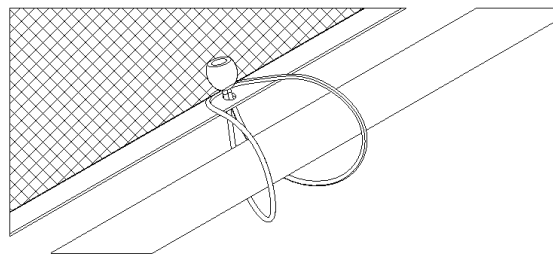


FIGURE 19

12. Safety Padding

- After completing the installation of bungee balls all around the stretcher frame install the Safeoam Padding. Start by padding the inside spreader pipes before attaching the parameter padding. The padding can be cut with a razor knife and three 30 degree notches cut at the inside corners will help the padding turn the corner (SEE FIGURE 20). The padding is secured with zip ties at approximately 18 to 24 inches apart.

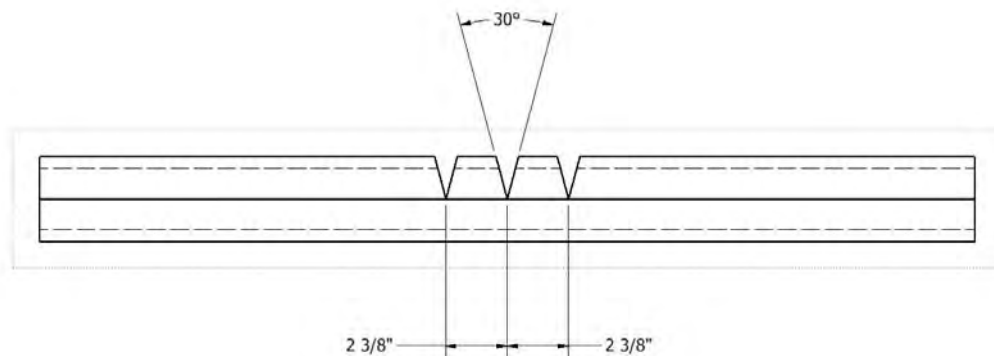


FIGURE 20

13. Maintenance and Care

1. The Linemen Chute is designed for many years of safe use. It is important that when moving the equipment that it be done with at least one person on each end to insure that the wheels do not get stuck causing damage to the frame.
2. No one should ever be allowed to climb on any part of the equipment. Special care should be taken to insure it is never used as a trampoline or a balance beam.
3. Any use other than what is intended by the manufacturer can be dangerous.
4. During the offseason the padding and screen should be removed and stored in a dry area. The Linemen Chute should be stored in a secure area that will not invite miss use or climbing.
5. Before putting into service each year all connections should be checked, the inner leg tubes should be lubricated as necessary with lithium grease, and the tire pressures should be maintained at 50 PSI. Any parts that show excessive wear or damaged should be replaced before beginning use. For replacement parts contact your dealer or the Jaypro Customer Support Team, Monday Through Friday, 8 AM to 5 PM Eastern Time at 1-800-243-0533 or on the web at www.japro.com.