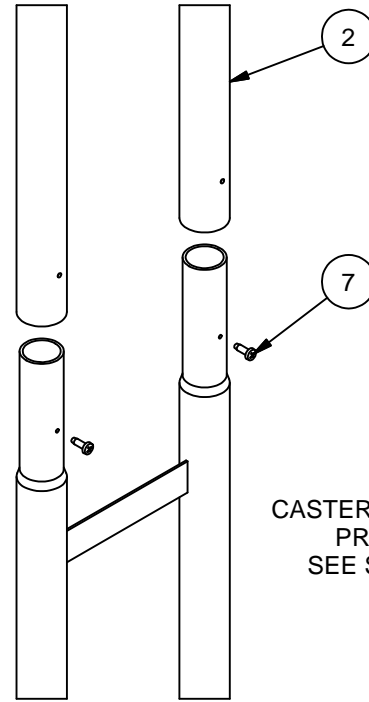
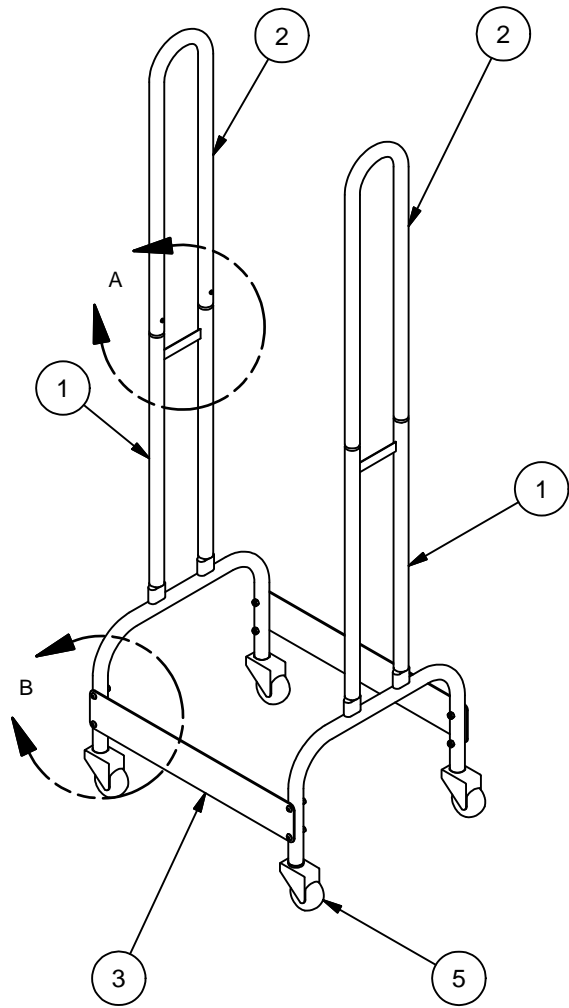
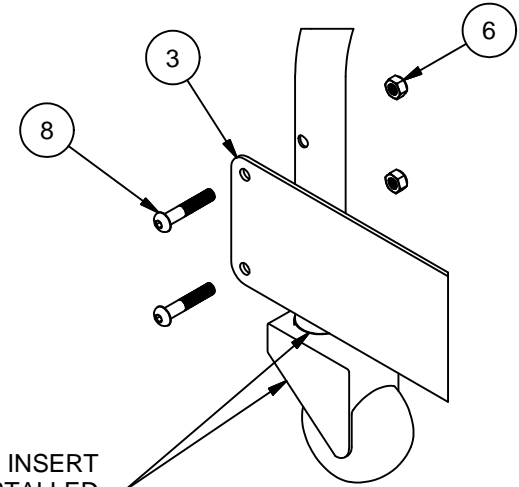


REV	DESCRIPTION	DATE	BY
A	SCREW A METRIC M4 WAS METRIC M3	3/26/2013	DRL



DETAIL A



CASTER AND INSERT
PRE-INSTALLED
SEE SHEET 2 OF 2

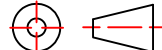
DETAIL B

ITEM	QTY	PART #	REV	DESCRIPTION
8	8	SCREW B	-	M8 x 45mm BUTTON HEAD SS (HS5105)
7	4	SCREW A	-	M4 PAN HEAD SCREW (HS5035)
6	8	NUT A	-	M8 NYLOCK NUT SS
5	4	CS0014	-	3" SWIVEL CASTER
4	4	SP-2-4	-	MOUNTING SOCKET FOR THREADED CASTER
3	2	SP-2-3	-	SIDE
2	2	SP-2-2	-	U SHAPED UPRIGHT
1	2	SP-2-1	-	UPRIGHT WELDMENT

THIS DRAWING IS THE SOLE PROPERTY OF JAYPRO SPORTS INC. AND MAY NOT BE REPRODUCED WITHOUT WRITTEN PERMISSION OR CONSENT

TOLERANCES:
 $\frac{x}{x} = \pm 1/16"$ x.x = ± 0.1
 $x = \pm 1/16"$ x.xx = ± 0.01
 $x.xxx = \pm 0.005$

PROJECTION METHOD:

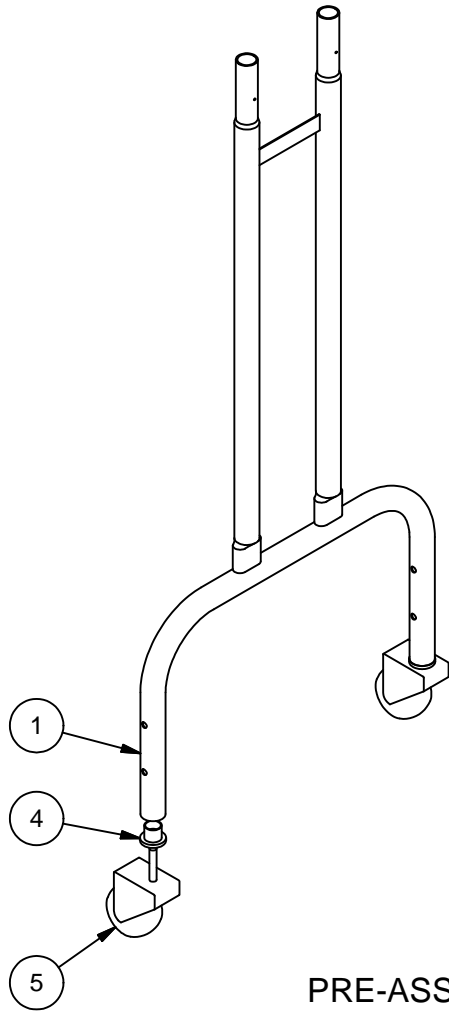


UNLESS OTHERWISE SPECIFIED



976 Hartford Turnpike
 Waterford, CT 06385 USA
 (800)243-0533 Fax: (800)988-3363
 www.jaypro.com

MODEL NUMBER: SP-2	CHECKED BY: WVB		
PRODUCT NAME: SHOULDER PAD STACKMASTER			
DATE: 2/6/2013	REV: A	DRAWN BY: DRL	SHEET: 1 OF 2



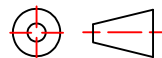
PRE-ASSEMBLED BY
MANUFACTURER

ITEM	QTY	PART #	REV	DESCRIPTION
5	2	CS0014	-	SWIVEL CASTER
4	2	SP-2-4	-	MOUNTING SOCKET FOR THREADED CASTER
1	1	SP-2-1	-	UPRIGHT WELDMENT

THIS DRAWING IS THE SOLE PROPERTY OF JAYPRO SPORTS INC. AND MAY NOT BE REPRODUCED WITHOUT WRITTEN PERMISSION OR CONSENT

TOLERANCES:
 $\frac{x}{y} = \pm \frac{1}{16}''$ x.x = ± 0.1
 X = $\pm \frac{1}{16}''$ x.xx = ± 0.01
 x.xxx = ± 0.005

PROJECTION METHOD:



UNLESS OTHERWISE SPECIFIED



976 Hartford Turnpike
 Waterford, CT 06385 USA
 (800)243-0533 Fax: (800)988-3363
 www.jaypro.com

MODEL NUMBER: SP-2	CHECKED BY: WVB		
PRODUCT NAME: SHOULDER PAD STACKMASTER			
DATE: 2/6/2013	REV: A	DRAWN BY: DRL	SHEET: 2 OF 2