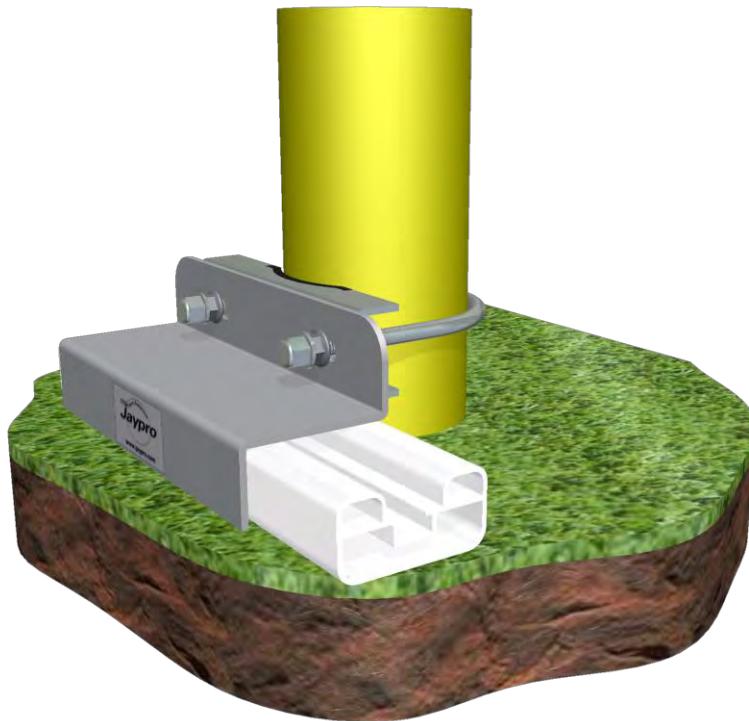




--- SFGA-4, SFGA-5 & SFGA-6 ---
(SOCCER / FOOTBALL GOAL ANCHOR KITS)
Installation Instructions

SFGA-6 → (For 6-5/8" O.D. gooseneck)
SFGA-5 → (For 5-9/16" O.D. gooseneck)
SFGA-4 → (For 4-1/2" O.D. gooseneck)



Call Jaypro Sports Equipment at 1-800-243-0533
during regular business hours for technical support.

www.jaypro.com

JAYPRO SPORTS
SOCCER / FOOTBALL GOAL ANCHOR KITS

IMPORTANT NOTICE:

1. BEFORE EACH USE CHECK EQUIPMENT FOR PROPER CONNECTING HARDWARE AND STRUCTURAL INTEGRITY. REPLACE DAMAGED OR MISSING HARDWARE IMMEDIATELY.
2. SECURELY TIGHTEN ALL NUTS AND BOLTS.
3. USE OF THIS EQUIPMENT OTHER THAN INTENDED, MAY BE HAZARDOUS.
4. ALTERATION OR MODIFICATION OF THIS EQUIPMENT MAY BE HAZARDOUS AND RESULT IN INJURY. FOR REPAIR OR REPLACEMENT, CONTACT YOUR DEALER OR JAYPRO SPORTS.

ASSEMBLY INSTRUCTIONS

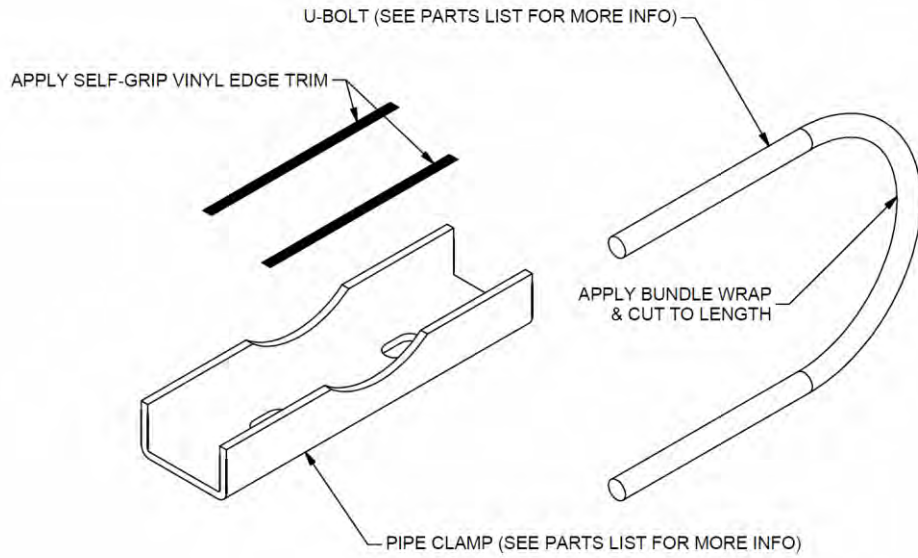
TOOLS REQUIRED:

- (1) Socket or Box Wrench Set
- (1) Scissors

- Unpack all parts and check against parts list to ensure that all have been included.
- Identify all frame components and lay them out on a flat dry surface.
- Inspect all parts for damage. Report any damages to the trucking company.

ITEM	DESCRIPTION	SFGA-6	SFGA-5	SFGA-4
1	2" x 4" LAMAN CLAMP	1	1	1
2	PIPE CLAMP FOR 6-5/8" GOOSENECK	1	N/A	N/A
3	PIPE CLAMP FOR 5-9/16" GOOSENECK	N/A	1	N/A
4	PIPE CLAMP FOR 4-1/2" GOOSENECK	N/A	N/A	1
5	6-5/8" U-BOLT, ZP	1	N/A	N/A
6	5-9/16" U-BOLT, ZP	N/A	1	N/A
7	4-1/2" U-BOLT, ZP	N/A	N/A	1
8	1/2"-13 NYLON FLANGE LOCK NUT, ZP	2	2	2
9	1/2"-13 THICK NYLON LOCK NUT, ZP	2	2	2
10	1/2" SAE FLAT WASHER, ZP	2	2	2
11	SELF-GRIP VINYL EDGE TRIM	1	1	1
12	BUNDLE WARP	1	1	1
QTY: EACH UNIT				

Apply Protective Lining:



Assemble Goal Anchor:

