



FNFB-30
(30 FT FIELDPRO FOOTBALL BACKSTOP SYSTEM)
Installation Instructions



Call Jaypro Sports Equipment at 1-800-243-0533 during regular business hours for technical support.

www.jaypro.com

JAYPRO SPORTS
30 FT FIELDPRO FOOTBALL BACKSTOP SYSTEM

P A R T S L I S T		
ITEM #	QTY	DESCRIPTION
1	2	30 FT FIELD NET POLE
2	2	FNS-30 GROUND SLEEVE WELDMENT
3	2	5/16 - #10 POLYESTER BLACK BRAIDED HOISTING ROPE x 65 FT
4	2	COVER CAP GROUND SLEEVE
5	2	6 5/8 ID BLACK CAP
6	4	3/8"-16 x 7-3/8" LONG EYEBOLT
7	14	1/4" x 2 3/8" SNAP HOOK
8	2	6" LONG GALV. STEEL CLEAT
9	8	1/4" WIRE ROPE CLIPS
10	4	1/4" WIRE ROPE THIMBLES
11	4	1/4"-20 x 8 1/2" HEX HD SCREW
12	2	1 1/2" SWIVEL PULLEY
13	4	1/4-20 ACORN NUT SELF-LOCK
14	12	1/4" WASHER LOCK
15	4	3/8"-16 HEX HD LOCK NUT
16	4	1/4"-20 NYLON LOCK NUT
17	8	3/8" FLAT WASHER
18	4	1/4" FLAT WASHER
19	2	3/16" COATED AIRCRAFT CABLE 50'
20	100	8" BLACK CABLE TIE
21	1	3-1/2" x #36 KNOTTED NYLON SQ. MESH, UV TREATED WITH 1/4" ROPE BORDER (BLACK) 30' H x 40' W

IMPORTANT NOTICE:

- 1) BEFORE EACH USE CHECK EQUIPMENT FOR PROPER CONNECTING HARDWARE AND STRUCTURAL INTEGRITY. REPLACE DAMAGED OR MISSING HARDWARE IMMEDIATELY.
- 2) USE OF THIS EQUIPMENT OTHER THAN INTENDED, MAY BE HAZARDOUS.
- 3) ALTERATION OR MODIFICATION OF THIS EQUIPMENT MAY BE HAZARDOUS AND RESULT IN INJURY. FOR REPAIR OR REPLACEMENT, CONTACT YOUR DEALER OR JAYPRO SPORTS.

TOOLS REQUIRED:

- | | |
|--|----------------------|
| (1) 3/8" Socket Wrench and Box Wrench | (1) 7/16" Nut Driver |
| (1) 9/16" Socket Wrench and Box Wrench | (1) Cable Cutters |
| (1) 3/16 in Rivet Gun | |

SPECIAL NOTES:

- Spacing between poles is 40 ft.
- Net should be removed and stored after the season is over.
- Net should be removed prior to a major storm or high winds.

Layout & Excavation:

Clear working area from obstructions. Determine the proper location for the poles on the field. (See Figure 2)

Install Sleeves:

Dig footing hole using the dimensions shown in Figure 1. Pack bottom of footing hole with 6" of gravel or concrete block or pour 6-1/4 inch concrete pad and allow concrete pad to cure for 48 hours. Install ground sleeve and pour concrete as shown in Figure 1. While not required, Jaypro recommends using 6 lengths of 5/8 inch rebar, 48 inches long, wired together into a 24 inch diameter basket and placed around the ground sleeve in the footer hole. Wait 48 hours before inserting poles. The top of the ground sleeve should be flush with the finished grade.

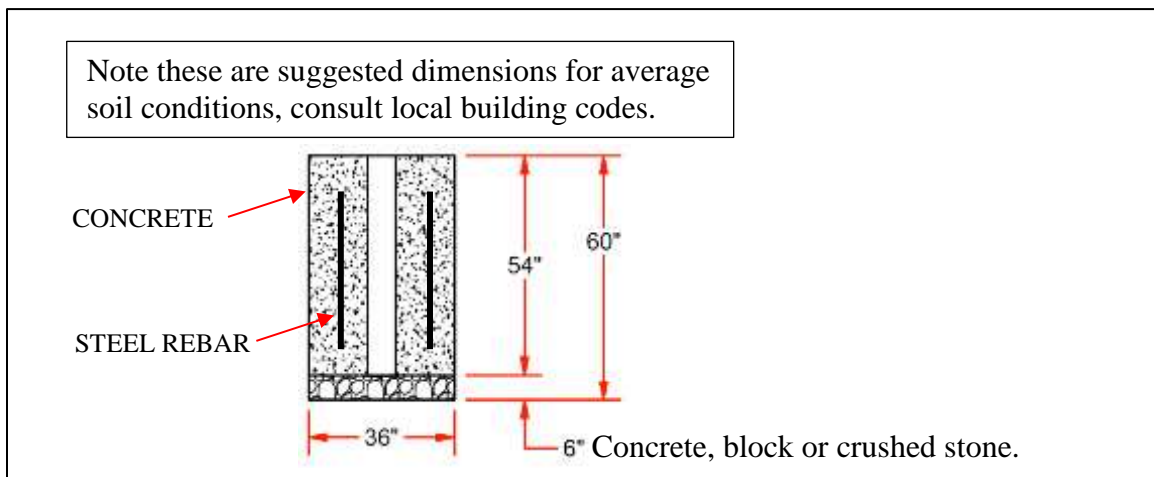


Figure 1

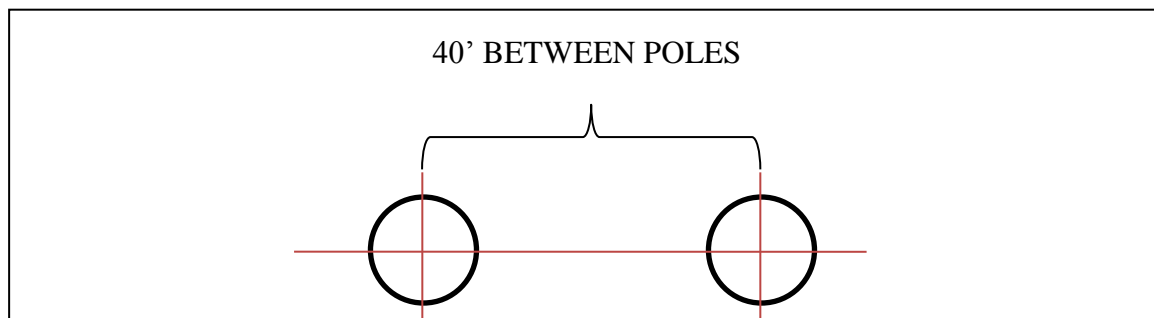


Figure 2

Install Pole Hardware:

The pole is assembled prior to lifting into the ground sleeve.

Assemble 3/8" eyebolt hardware & 1/4" cleat hardware and pole cap onto the poles as shown in Figure 3 & 4. Route the hoisting rope through the pulley. Attach the snap hook to the hoisting rope with a bowline knot. Temporarily attach the free end of the hoisting rope to the snap hook.

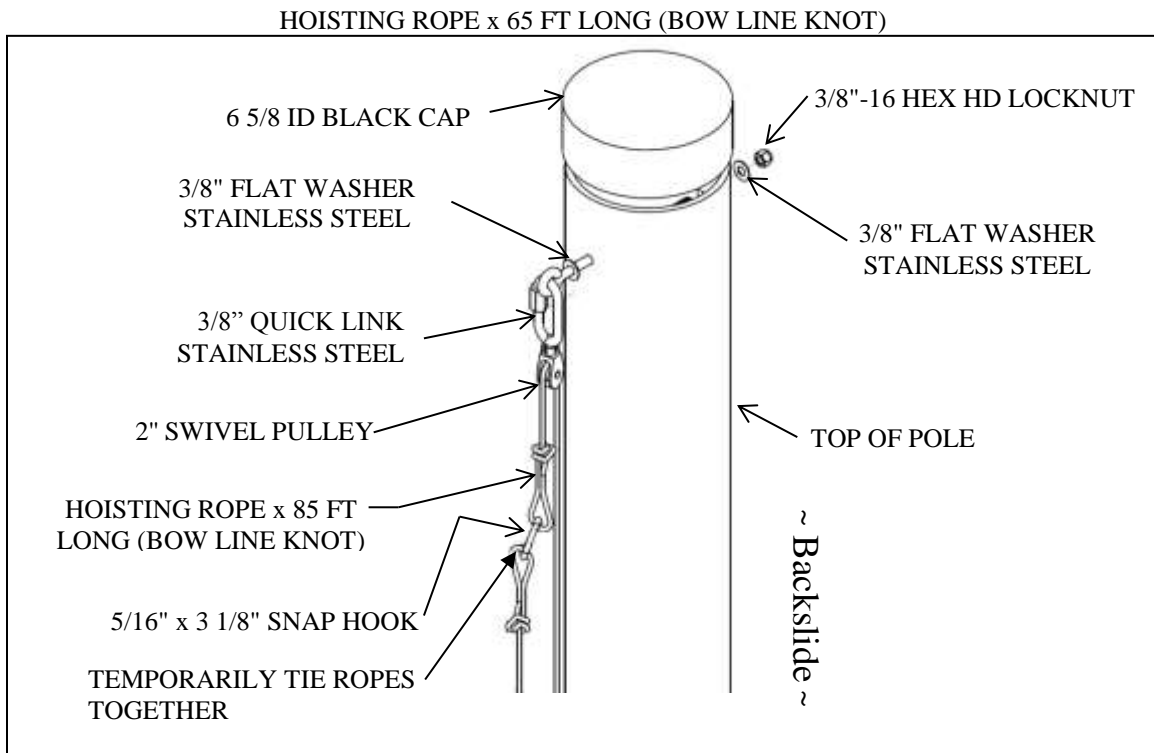


Figure 3

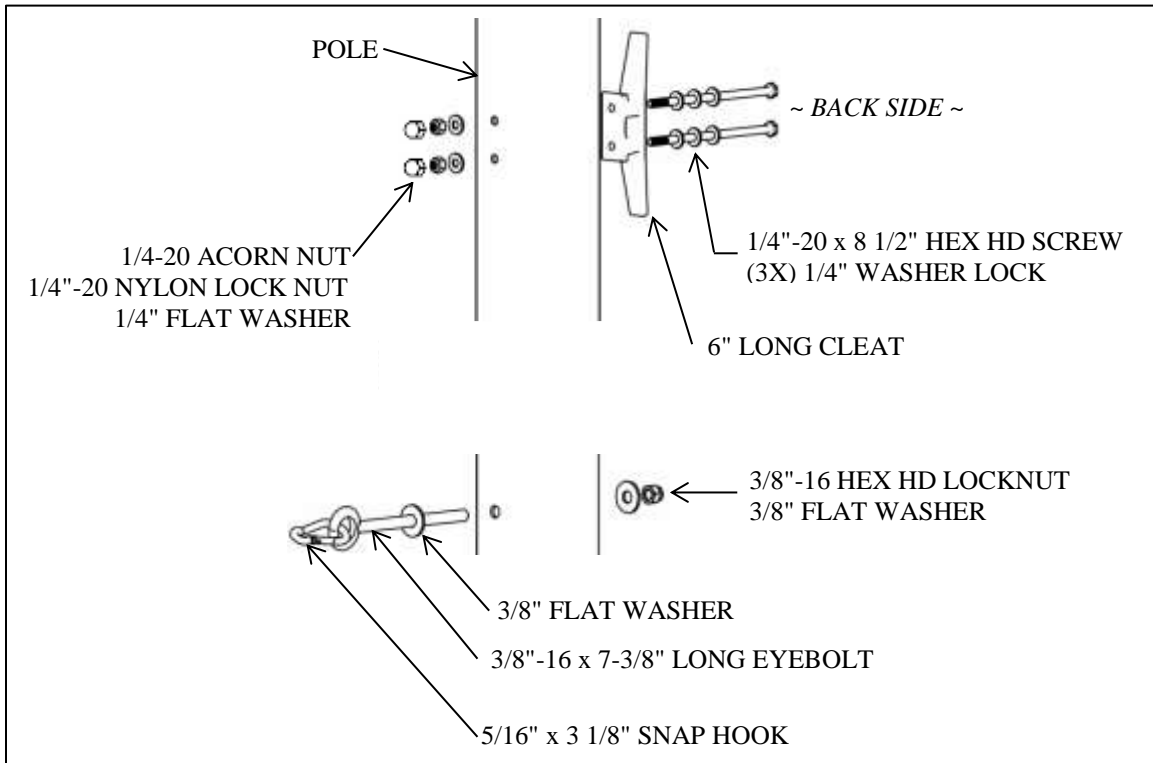


Figure 4

Install Poles:

Before inserting the poles into the sleeves, check to make sure:

1. The cleat is installed opposite of pulley.
2. Run the hoisting rope thru pulley
 - a. Cleat both ends of rope (loosely).

It is suggested that the wild end of the hosting rope be passed thru the opening of the cleat and a figure eight stop knot be tied at the end of the rope. This will avoid the line from getting out of reach for the operator or worse the line inadvertently coming off the pulley during a game. The pole slides into the ground sleeve.

Net:

Lay the net out lengthwise and cut the 3/16" coated aircraft cable to length, extending each end enough to make up the loop. Make up a loop, as shown in Figure 5, on both ends of the cable. Attach a cable to both the top and bottom edges of the net using the cable ties.

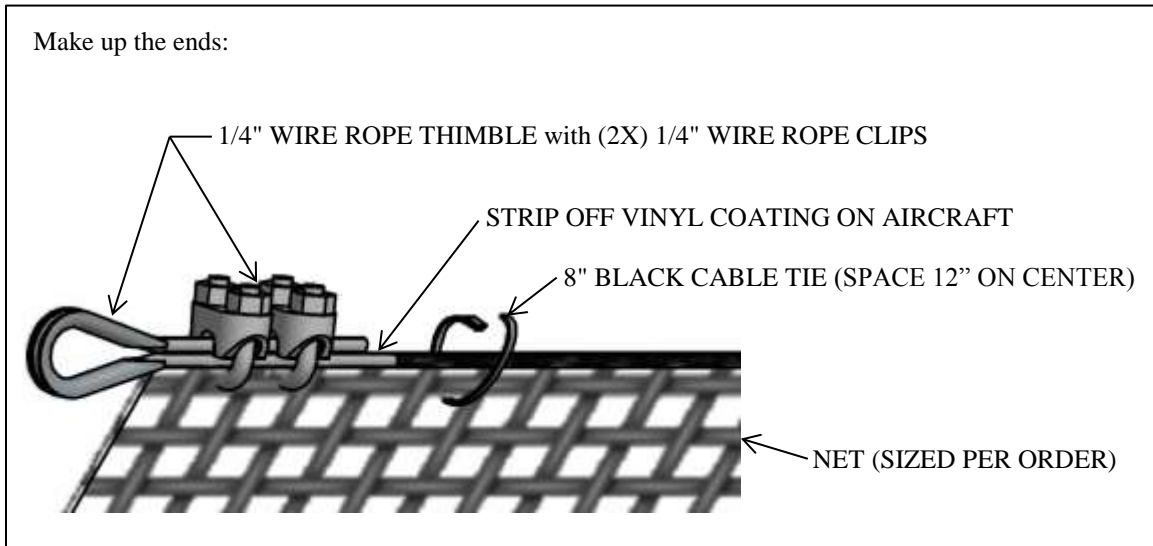
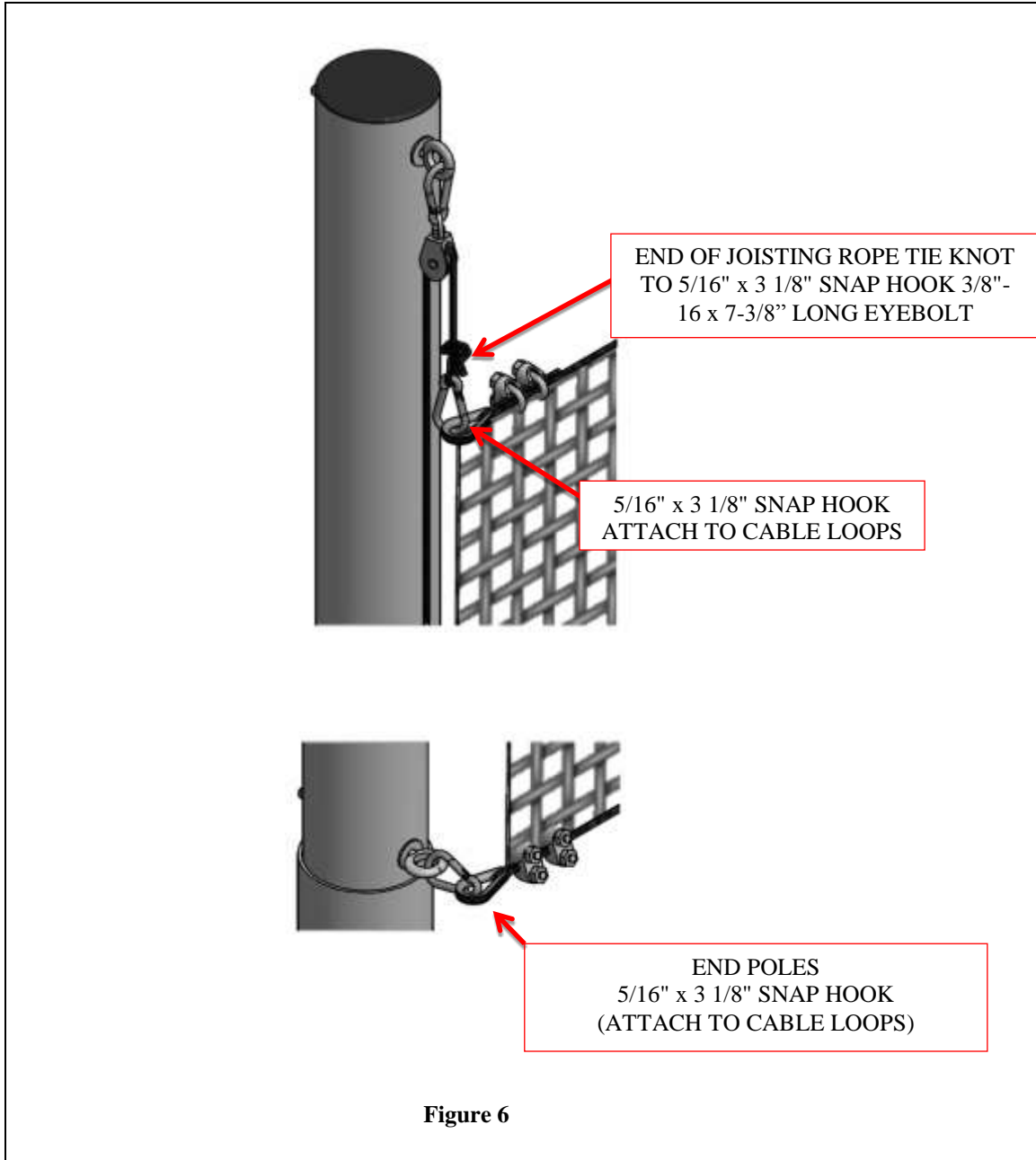


Figure 5

Install Net:

Lay the net sections out lengthwise along the base of the poles. Attach the hoisting ropes to each cable end. Slowly raise the net up once the net is fully raised, secure the bottom edge of net to the pole as shown in Figure 6.



MAINTENANCE:

- Before and after each season, thoroughly inspect the net for wear. Repair any holes to prevent them from getting wider.
- Remove and store the net after the seasons use.
- Remove all netting before a major storm or extreme winds.
- When the poles are removed cover the sleeve openings to prevent any accidental falls.

