



**--- PCG-800 ---**  
**(PORTABLE PRACTICE**  
**FOOTBALL / SOCCER GOAL)**  
**Installation Instructions**



Call Jaypro Sports Equipment at 1-800-243-0533  
during regular business hours for technical support.

[www.jaypro.com](http://www.jaypro.com)

**JAYPRO SPORTS**  
**PORTABLE PRACTICE FOOTBALL / SOCCER COMBO GOAL**

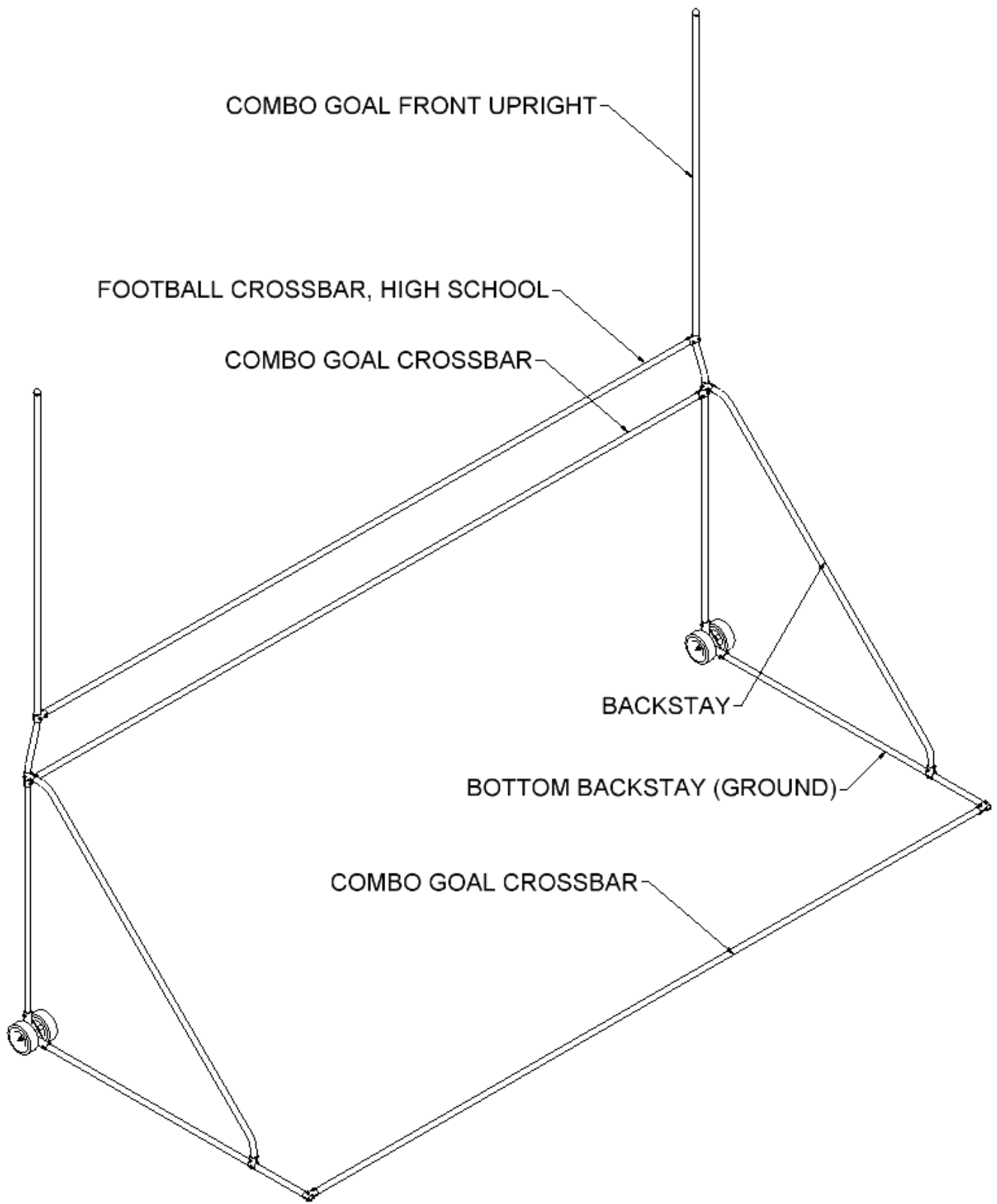
**IMPORTANT NOTICE:**

- 1) BEFORE EACH USE CHECK EQUIPMENT FOR PROPER CONNECTING HARDWARE AND STRUCTURAL INTEGRITY. REPLACE DAMAGED OR MISSING HARDWARE IMMEDIATELY.
- 2) NEVER ALLOW ANYONE TO CLIMB OR HANG ON THE NET OR GOAL FRAME. AS SERIOUS INJURY OR DAMAGE TO THE EQUIPMENT MAY OCCUR.
- 3) USE OF THIS EQUIPMENT OTHER THAN INTENDED, MAY BE HAZARDOUS.
- 4) ALTERATION OR MODIFICATION OF THIS EQUIPMENT MAY BE HAZARDOUS AND RESULT IN INJURY. FOR REPAIR OR REPLACEMENT, CONTACT YOUR DEALER OR JAYPRO SPORTS.

**TOOLS REQUIRED:**

- (1) Socket and / or Box Wrench Set
  - (1) Electric Drill with 1/4" Socket Bit or Driver
  - (1) Step Ladder, 12 FT
  - (1) Rubber Mallet
- Unpack all parts and check against parts list to ensure that all have been included.
  - Inspect all parts for damage. Report any damages to the trucking company.

ITEM	DESCRIPTION	PCG-800
1	CROSSBAR x 288" LONG	2
2	BENT FRONT UPRIGHT	2
3	WHEEL WELDMENT	2
4	FOOTBALL CROSSBAR x 280" LONG	1
5	BASE BACKSTAY x 120" LONG	2
6	BACKSTAY	2
7	2" PIPE CLAMP	20
8	1/2"-13 STOVER LOCK NUT	28
9	1/2" SAE FLAT WASHER, ZP	28
10	1/2"-13 x 3" HEX HEAD CAP SCREW, ZP	28
11	2" LIGHT CAP	2
12	2" PLASTIC PLUG	2
13	10" NO FLAT WHEEL	4
14	5/8" SAE FLAT WASHER, ZP	12
15	5/8"-11 LOCK NUT, ZP	2
16	5/8"-11 x 9-1/2" HEX HEAD CAP SCREW, ZP	2
17	5/8" I.D. x 3/4" O.D. x 5/8" LONG BEARING, BRNZ	4
18	#8 x 3/4" HEX HEAD FLANGE SELF DRILL SCREW, ZP	4
19	SOCCER NET (OPTIONAL IF PURCHASE)	1
20	3/4" WIDE WHITE ONE WRAP x 4 YD (IF PURCHASE)	1
21	WIND STREAMERS (OPTIONAL IF PURCHASE)	2
		QTY



COMBO GOAL FRONT UPRIGHT

FOOTBALL CROSSBAR, HIGH SCHOOL

COMBO GOAL CROSSBAR

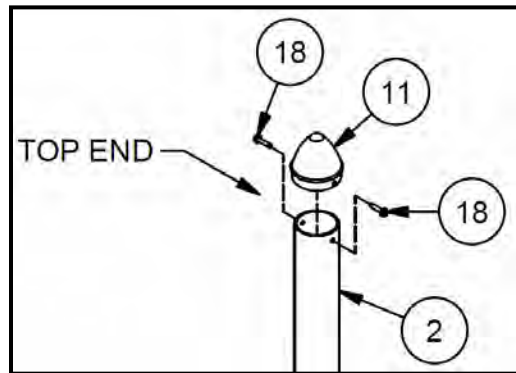
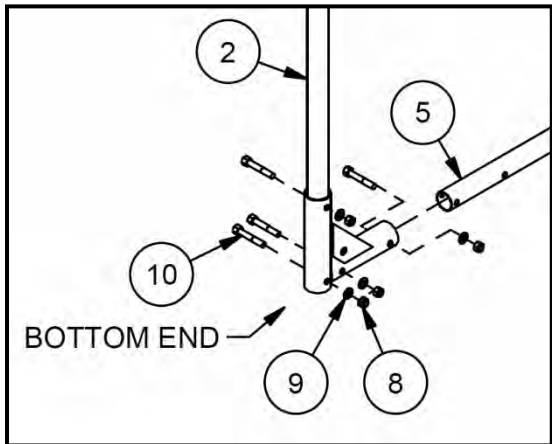
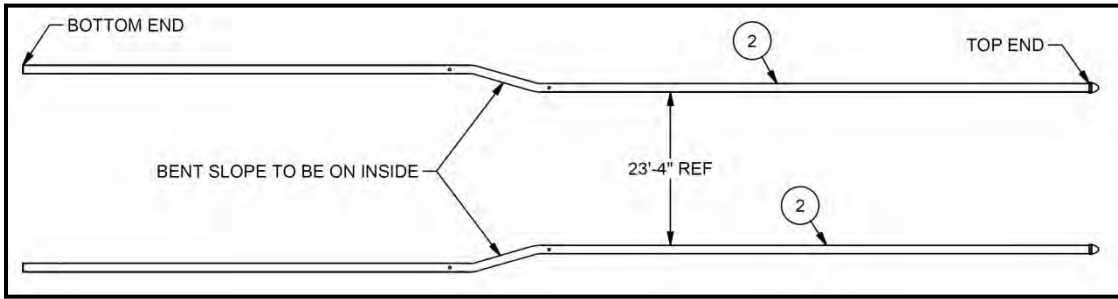
BACKSTAY

BOTTOM BACKSTAY (GROUND)

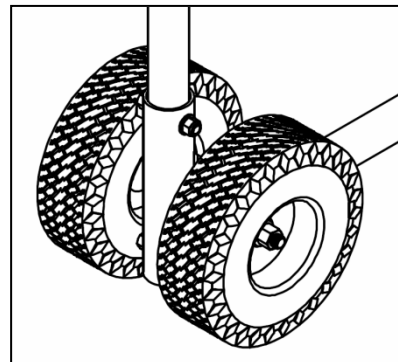
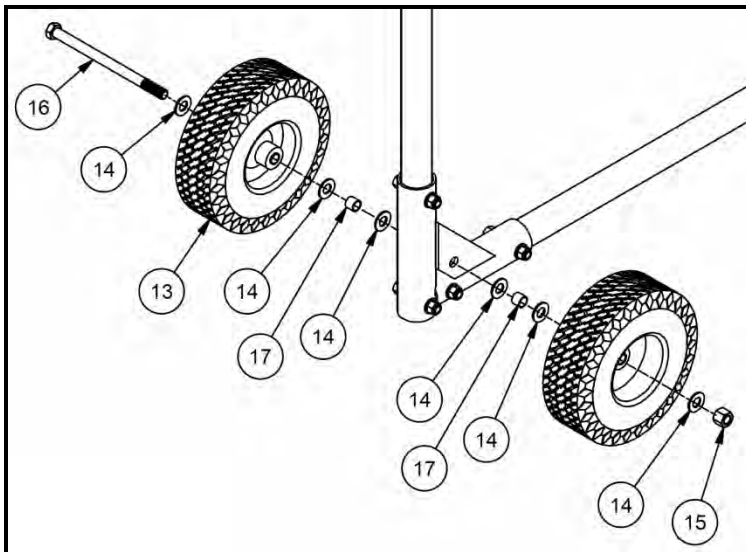
COMBO GOAL CROSSBAR

Overall View

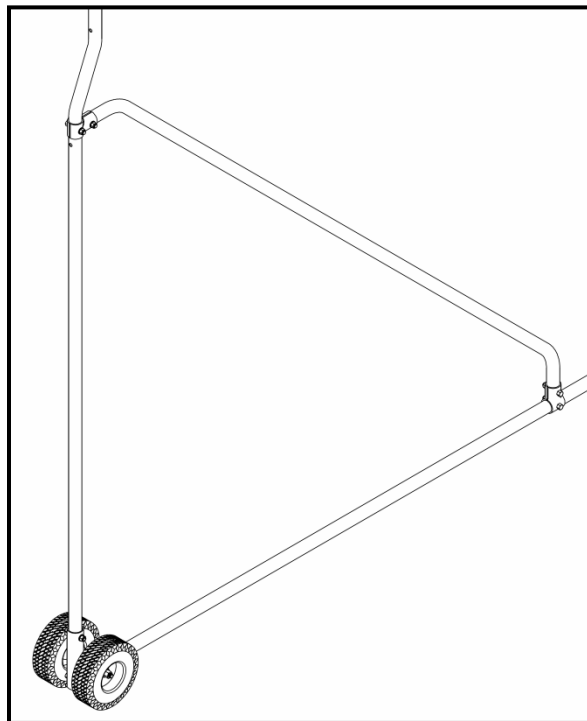
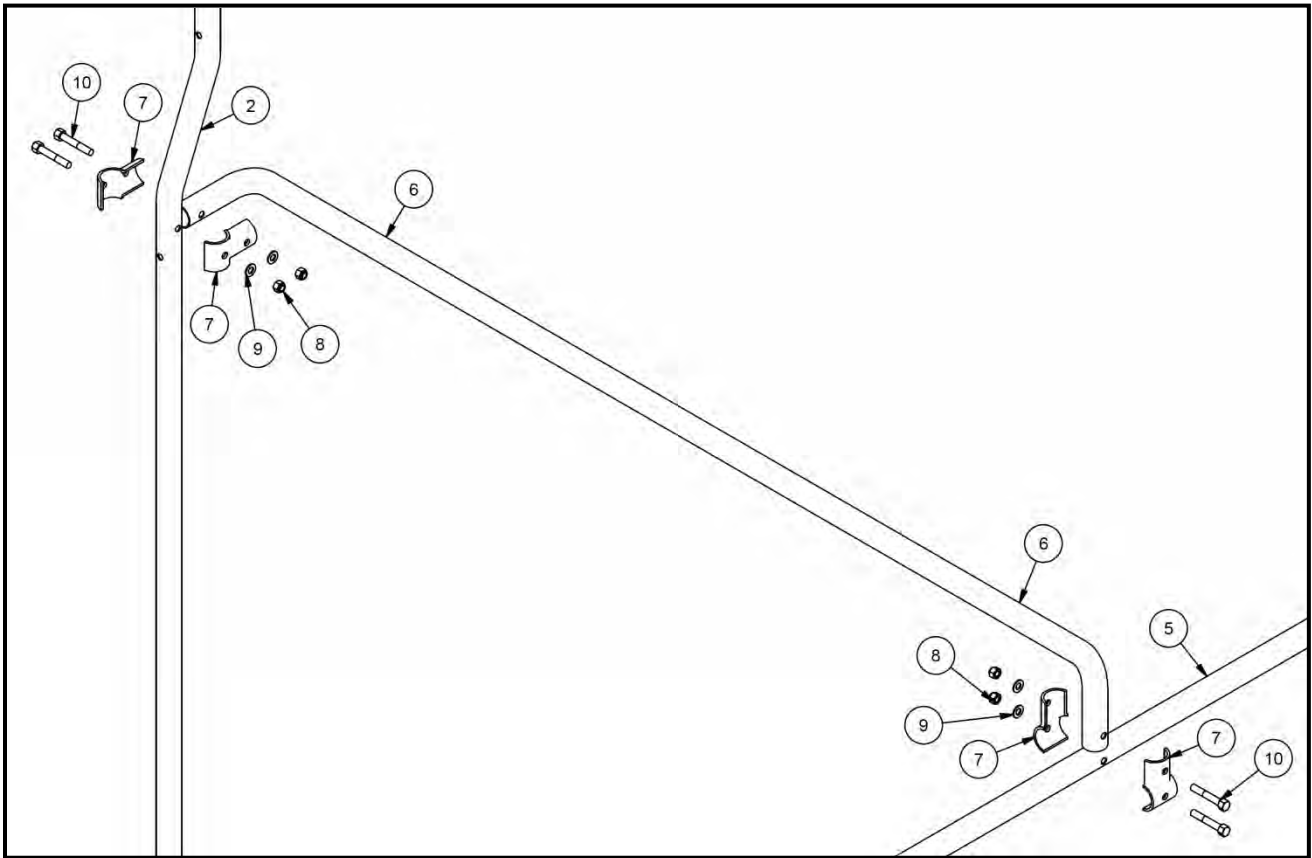
**Assemble front upright frame:**



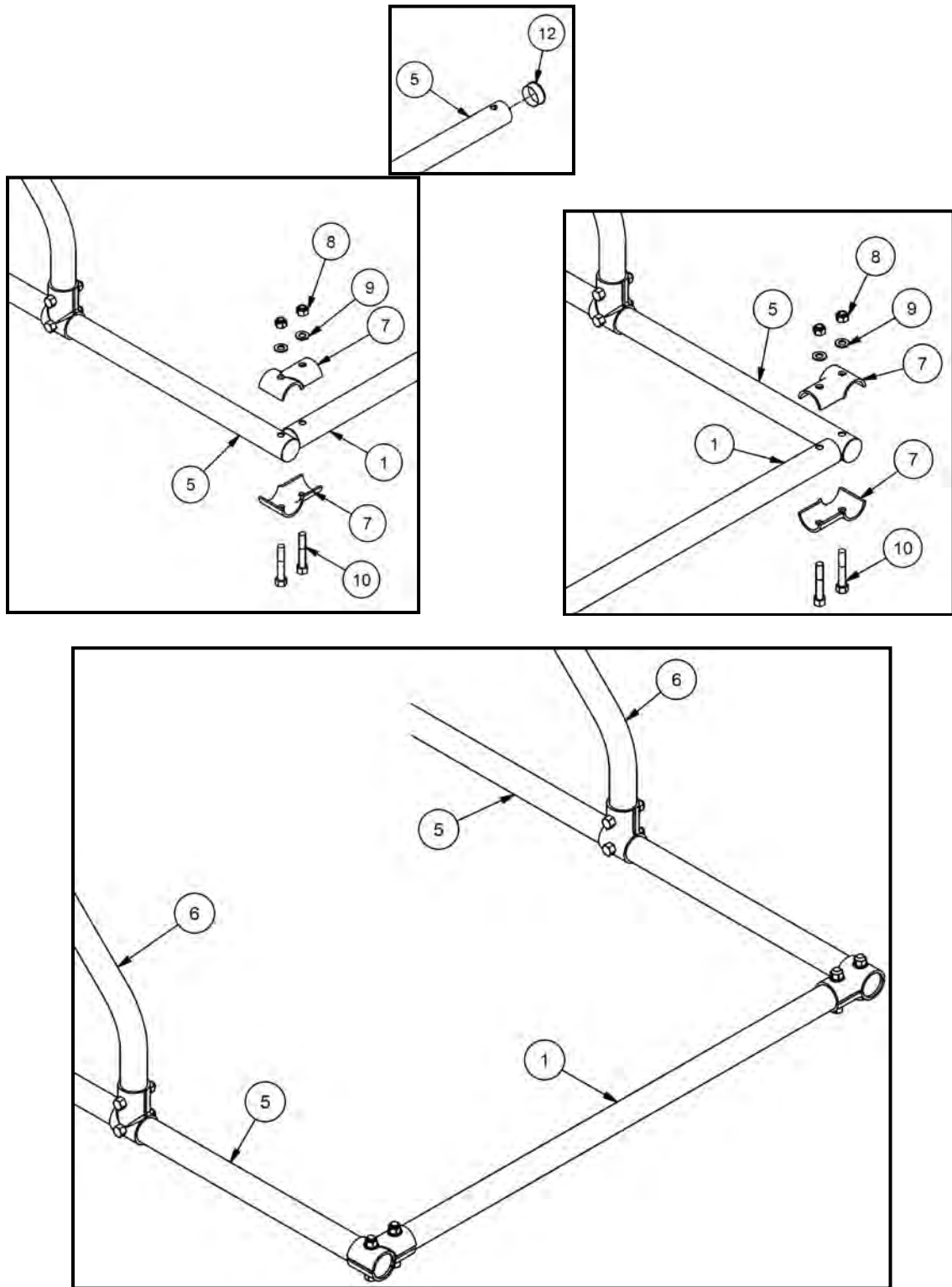
**Assemble wheel:**



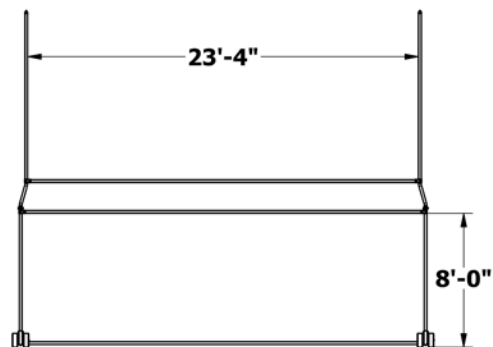
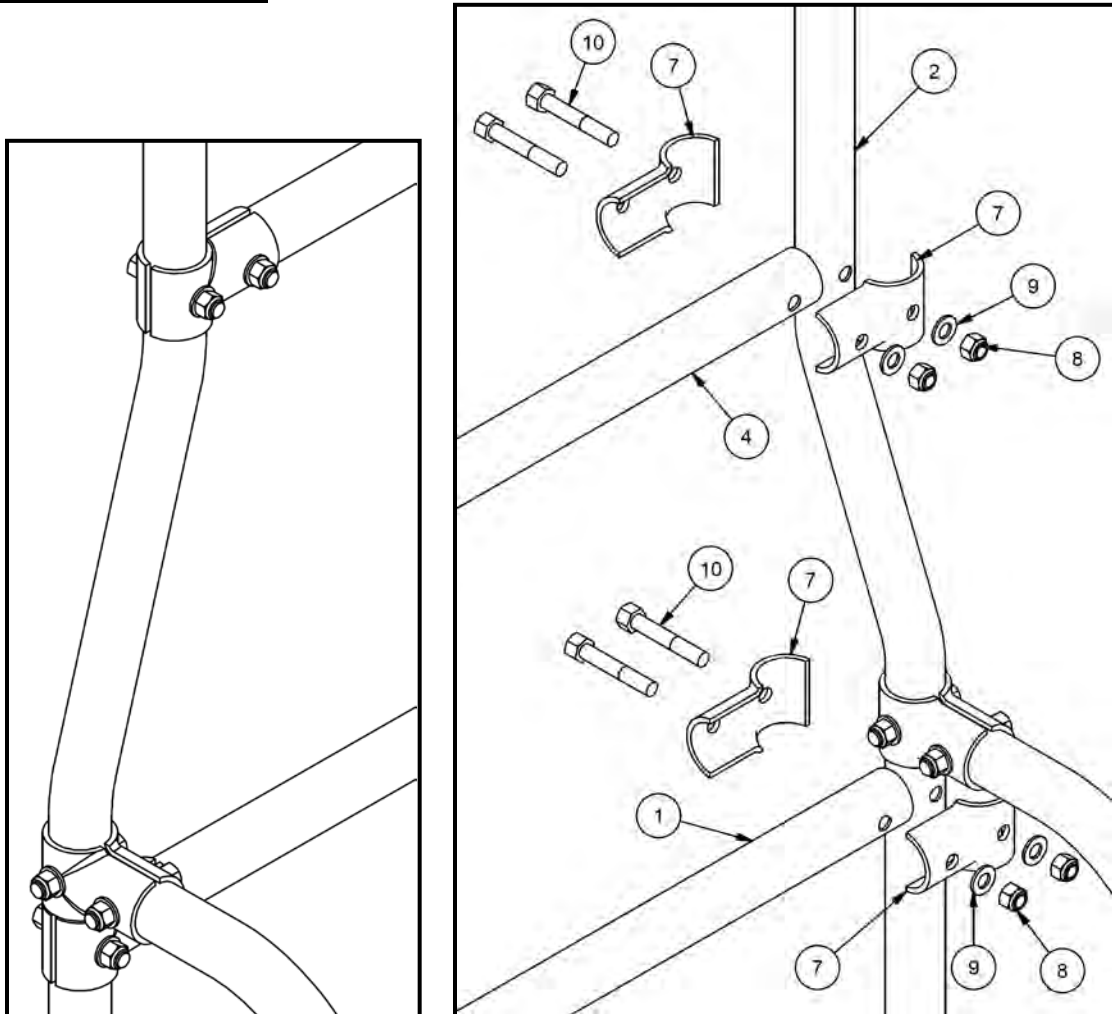
**Assemble backstay:**



**Assemble rear frame:**



**Assemble crossbars:**



**Install soccer net: (Net sold separately)**

1. Install the rear backstays into place with each pipe clamp as shown.
2. Locate the upper corner of the net. Draping the net over both backstays. Cut the 3/4" wide white one wrap x 4 yard into 9" lengths. Then warp the 9" lengths of Velcro net tie along the crossbar. Secure the front edge of the net to the pipe using 9" lengths of Velcro net tie.