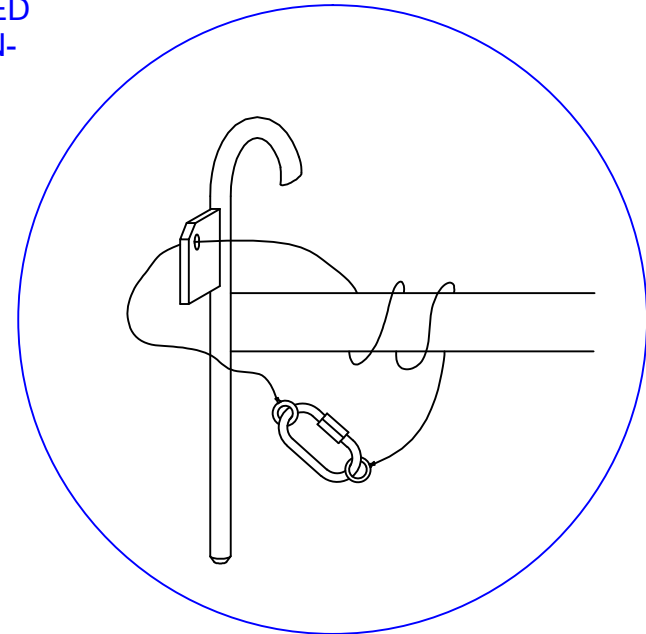
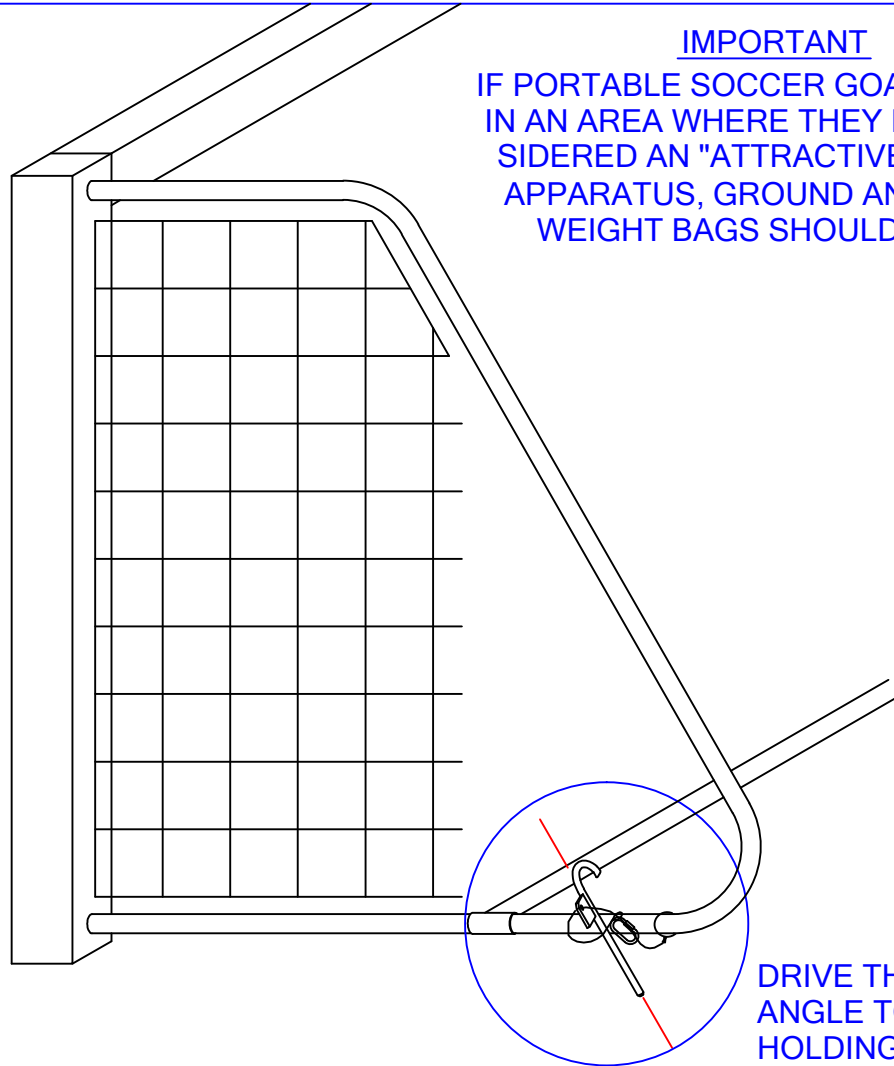


IMPORTANT

IF PORTABLE SOCCER GOALS ARE USED IN AN AREA WHERE THEY MAY BE CONSIDERED AN "ATTRACTIVE" CLIMBING APPARATUS, GROUND ANCHORS OR WEIGHT BAGS SHOULD BE USED.



1. FIRST, PASS A SMALL LOOP OF CABLE THROUGH THE HOLE IN GROUND ANCHOR.
2. NEXT, PASS LARGE LOOP THROUGH SMALL LOOP.
3. FINALLY, SLIP LARGE LOOP AROUND OPEN END OF BACKSTAY AND SLIDE ALL THE WAY BACK.

DRIVE THE ANCHOR AT AN ANGLE TO INCREASE THE HOLDING LEVERAGE

CAUTION

GROUND STAKES OR ANCHORS MAY NOT HOLD WELL IN SOME SOIL CONDITIONS. THE APPROPRIATE ANCHORING CHOICE MUST BE MADE BY A TRAINED INDIVIDUAL.

Jaypro Sports

976 Hartford Turnpike
Waterford, CT 06385 USA
(800)243-0533
(800)988-3363 Fax
www.jaypro.com

MODEL NO.:
SGA-91

PRODUCT NAME:
SOCCER GROUND ANCHOR

DRAWN BY: JAC

EFFECTIVE DATE:
5-22-03