



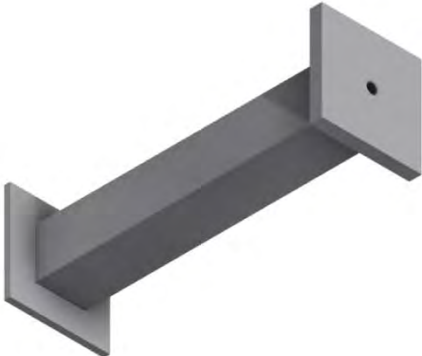
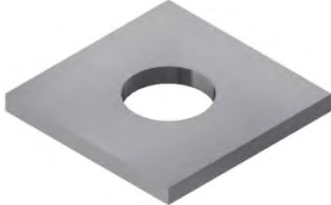


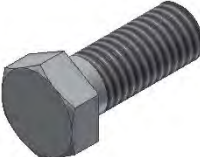
-- SGA-60 --
(INGROUND ANCHOR FOR SOCCER GOALS)
Installation Instructions



Call Jaypro Sports Equipment at 1-800-243-0533 during regular business hours for technical support.

www.jaypro.com

JAYPRO SPORTS
INGROUND ANCHOR FOR SOCCER GOALS PARTS LIST

ITEM	QTY	IMAGE	DESCRIPTION
1	2		GROUND ANCHOR
2	2		BOLT STOP PLATE
3	2		1/2" FLAT WASHER
4	2		1/2"-13 x 2 1/2" HX HD, SS
5	2		1/2"-13 x 1 1/4" HX HD, SS

IMPORTANT NOTICE:

- 1) BEFORE EACH USE CHECK EQUIPMENT FOR PROPER CONNECTING HARDWARE AND STRUCTURAL INTEGRITY. REPLACE DAMAGED OR MISSING HARDWARE IMMEDIATELY.
- 2) USE OF THIS EQUIPMENT OTHER THAN INTENDED, MAY BE HAZARDOUS.
- 3) ALTERATION OR MODIFICATION OF THIS EQUIPMENT MAY BE HAZARDOUS AND RESULT IN INJURY. FOR REPAIR OR REPLACEMENT, CONTACT YOUR DEALER OR JAYPRO SPORTS.

ASSEMBLY INSTRUCTIONS

TOOLS REQUIRED:

- 3/4" Socket Wrench and Box Wrench
 - Measuring Tape
 - Hole digging equipment
 - Concrete
 - Cordless Hand Drill with 9/16" Drill Bit (If Needed)
-
- Unpack all parts and check against parts list to ensure that all have been included.
 - Inspect all parts for damage. Report any damages to the trucking company.

Description:

The SGA-60 anchor kit is designed to anchor the base of your soccer goal. Two or four anchors may be used for each goal. The anchor is encased in a 24" dia x 20" deep concrete footing. The 1/2" anchor bolt passes through the anchor hole in the rear crossbar. If such a hole does not exist you will need to drill a 9/16" hole in the base member at the desired locations.

Footings:

1. Position the soccer goal in its final location on your field. Determine the locations of each anchor. Anchors need to be located as close to the rear corners as possible. Anchors may be installed along the rear crossbar or on each side base member.
2. If anchor holes are not present in your goal base, mark the location of each anchor on the goal and drill a 9/16" hole through the base member.
3. Transfer the locations onto the field and dig the 24" wide (square or round) by 20" deep footings, as shown. In areas where severe frost is a concern, the footing should be increased to 36" deep.

Anchor Assembly:

1. Pour the footing and set the anchor. Note that the end which has the thicker plate (1/2" thick) should be facing up.
2. Allow the concrete to fully cure, per manufacturer's instructions (typically 24 hrs).
3. Position the goal over the anchors.
4. Apply a generous amount of ant-seize compound to the threads of the bolts and secure the goal in place using the hardware as shown.
5. When goal anchor is not in use; insert 1/2" x 1-1/4" long hex bolt to plug up the anchor.

