

4

3

2

1

REVISION HISTORY

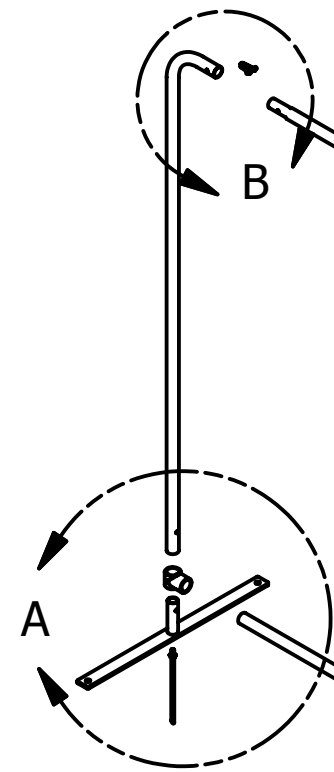
REV	DESCRIPTION	DATE	APPROVED
-	INITIAL RELEASE	12/15/09	WVB

B

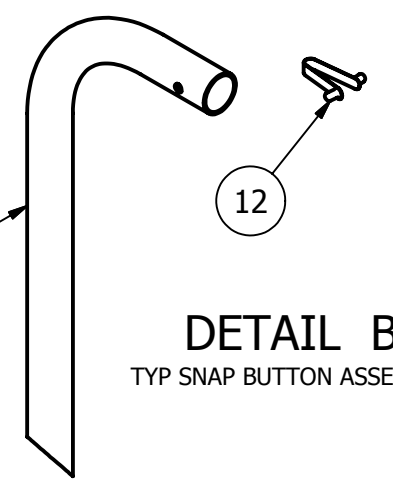
A

B

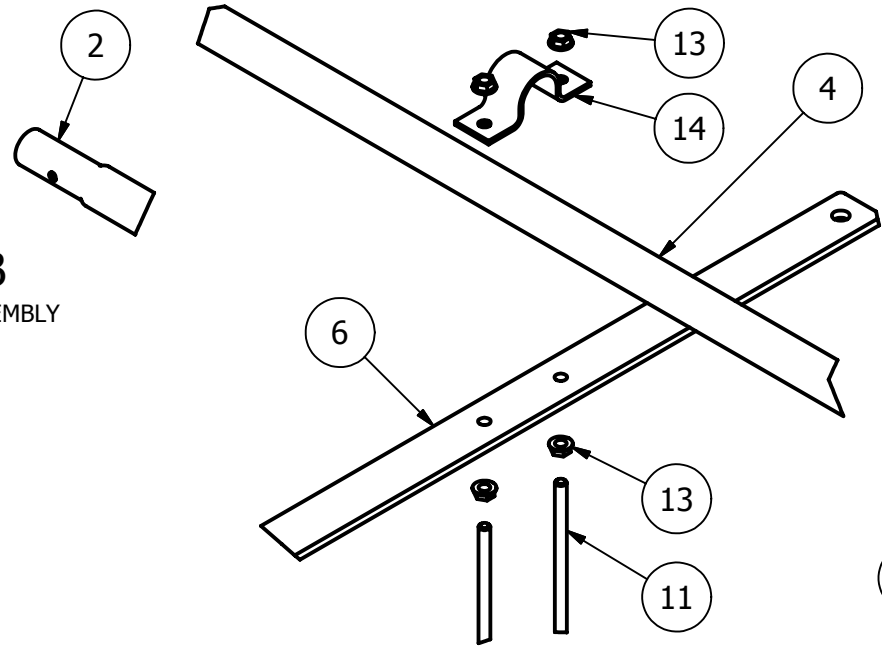
A



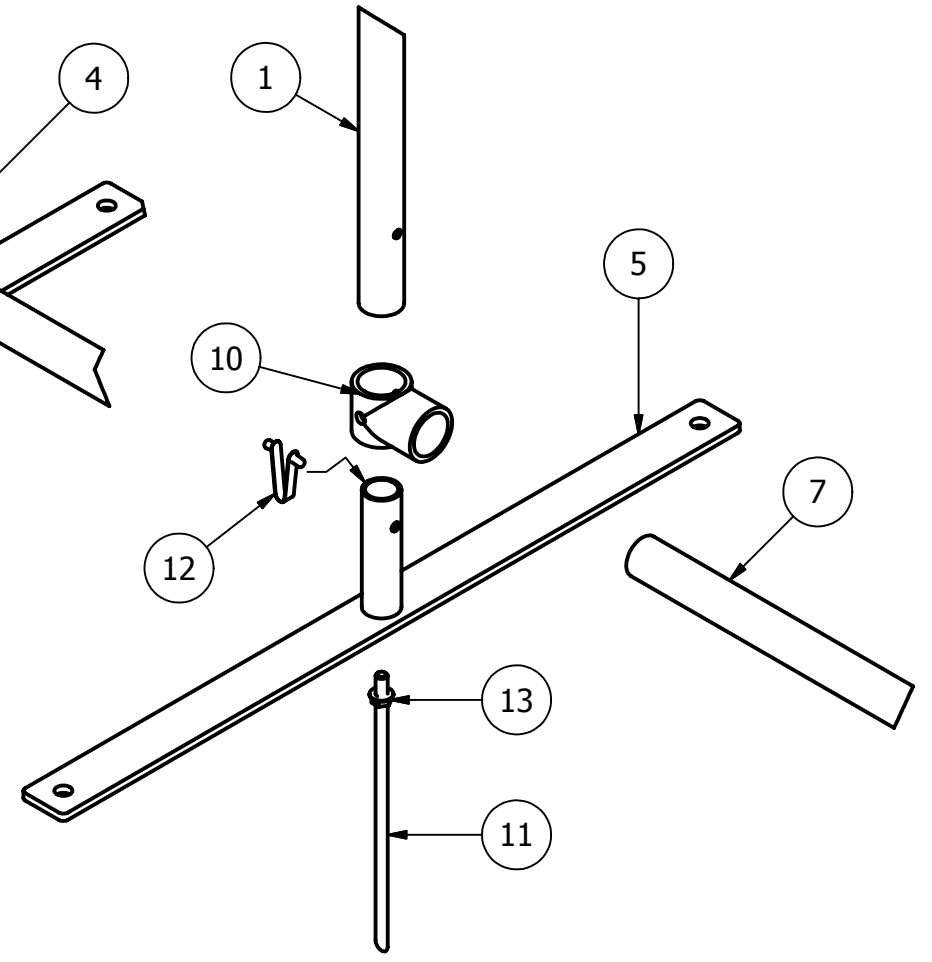
DETAIL B
TYP SNAP BUTTON ASSEMBLY



DETAIL C
MIDPOINT FRAME ANCHOR



DETAIL A
BASE ASSEMBLY



ITEM	QTY	PART NUMBER	DESCRIPTION
1	2	STG824-1	STG-824 UPRIGHT
2	2	STG824-2	CROSSBAR SECTION (ONE-SWAGE)
3	1	STG824-3	CROSSBAR SECTION (TWO-SWAGE)
4	1	STGRB824-3	BOTTOM CROSSBAR SECTION (TWO-SWAGE)
5	2	STGBK-2	GROUND BASE ASSEMBLY
6	1	STGBK-6	GROUND BASE PLATE
7	2	STGRB824-4	BOTTOM CROSSBAR SECTION (0-SWAGGE)
8	1	RB824N	REBOUNDER NET STGRB824 GOAL
9	80	RR5010	WHITE BUNGEE BALL STRAP
10	2	SF177A	1.90 'T' FITTING
11	4	SR5349	SINGLE END ROD 1/2-13 x 14"
12	8	HM5051	VALCO SNAP BUTTON D-183, OR EQUAL
13	6	HN5038	1/2-13 FLANGE LOCK NUT ZP
14	1	HM2883-C	2" DIA CLAMP

PHONE: 800.243.0533 (TOLL-FREE)
860.447.3001 (LOCAL)

Jaypro
Sports Equipment
Since 1983

FAX: 860.444.1779 (SALES)
860.440.0628 (ENG.)

JAYPRO SPORTS, LLC, 976 HARTFORD TURNPIKE, WATERFORD, CT 06385 USA
www.jaypro.com

DESCRIPTION: 8'x24' SOCCER TRAINING REBOUNDER	TOLERANCES: X.X = ±0.1 X.XX = ±0.01 X.XXX = ±0.005 X/4 = 1/16" -UNLESS OTHERWISE SPECIFIED-	PROJECTION METHOD:
PART NUMBER: STGRB-824	REV: . DATE: 12/15/2009	DRAWN BY: KMT SHEET #: 1 OF 2
MATERIAL: SEE PARTS LIST	FINISH: POWDER COAT	COLOR: WHITE
UNITS: INCH		

THIS DRAWING IS THE SOLE PROPERTY OF JAYPRO SPORTS INC. AND MAY NOT BE REPRODUCED WITHOUT WRITTEN PERMISSION OR CONSENT

4

3

2

1

JAYPRO SPORTS
STGRB-824, 8' x 24' SOCCER TRAINING REBOUNDER

IMPORTANT NOTICE:

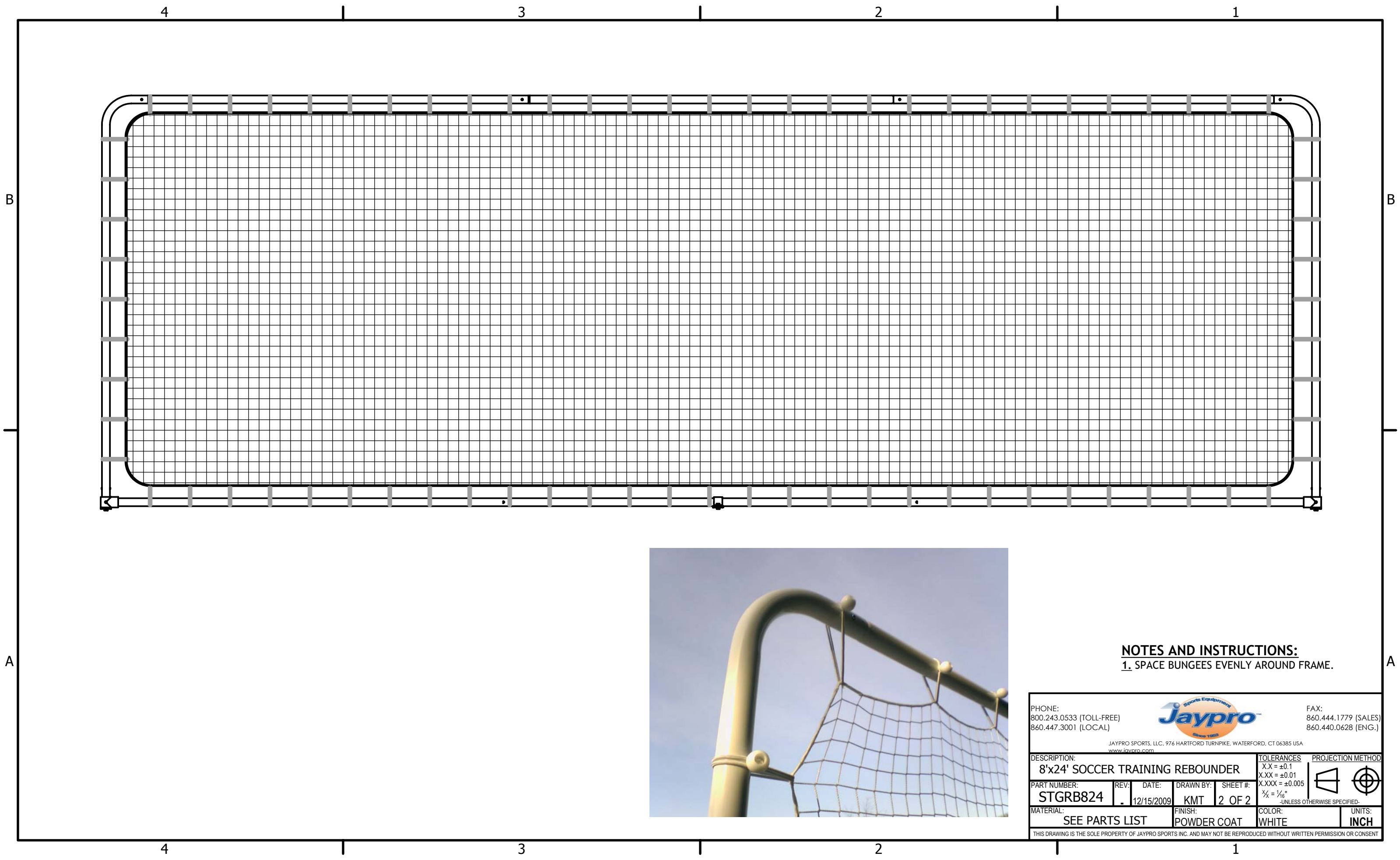
- 1) BEFORE EACH USE CHECK EQUIPMENT FOR PROPER CONNECTING HARDWARE AND STRUCTURAL INTEGRITY. REPLACE DAMAGED OR MISSING HARDWARE IMMEDIATELY.
- 2) USE OF THIS EQUIPMENT OTHER THAN INTENDED, MAY BE HAZARDOUS.
- 3) ALTERATION OR MODIFICATION OF THIS EQUIPMENT MAY BE HAZARDOUS AND RESULT IN INJURY. FOR REPAIR OR REPLACEMENT, CONTACT YOUR DEALER OR JAYPRO SPORTS.

ASSEMBLY INSTRUCTIONS


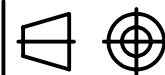
TOOLS REQUIRED:

- (1) 3/4" Socket Wrench and Box Wrench
- (1) 5/16" Allen wrench

- 1) Unpack all parts and check against parts list to ensure that all have been included.
- 2) Inspect all parts for damage. Report any damages to the trucking company.
- 3) Assemble main frame (items 1, 2 and 3) on a flat dry surface, placing uprights approximately 24 ft apart.
- 4) Slide one "T" fitting (10) onto the end of each upright (1), locating it below the hole in the upright. Assemble the bottom crossbar (items 4 and 7) and insert into each "T" fitting. Tightening both setscrews in each "T" fitting.
- 5) Thread ground stakes (11) into each base (5). Insert ground stakes into the ground in the desired location – spaced at 24 ft apart. Sand bags may be used in lieu of ground stakes if placed on turf (recommend two 50 lb bags on each end).
- 6) Using at least 2 people, lift the frame onto the vertical insert tube on each ground base.
- 7) Assemble the mid anchor frame as shown in Detail C, and place it at the center of the bottom crossbar – inserting the ground stakes into the ground. If used on turf, place two 50 lb sand bags on the base leg to prevent the bottom crossbar from bowing up when the net is installed.
- 8) Securely tighten the four setscrews in the "T" fittings to prevent the bottom crossbar from sliding up when the net is installed.
- 9) Install the net by placing the bungees evenly around the perimeter.



NOTES AND INSTRUCTIONS:
 1. SPACE BUNGEEES EVENLY AROUND FRAME.

PHONE: 800.243.0533 (TOLL-FREE) 860.447.3001 (LOCAL)				FAX: 860.444.1779 (SALES) 860.440.0628 (ENG.)	
<small>JAYPRO SPORTS, LLC, 976 HARTFORD TURNPIKE, WATERFORD, CT 06385 USA www.jaypro.com</small>					
DESCRIPTION: 8'x24' SOCCER TRAINING REBOUNDER				TOLERANCES X.X = ±0.1 X.XX = ±0.01 X.XXX = ±0.005 X/4 = 1/16" -UNLESS OTHERWISE SPECIFIED-	
PART NUMBER: STGRB824	REV: .	DATE: 12/15/2009	DRAWN BY: KMT	SHEET #: 2 OF 2	PROJECTION METHOD 
MATERIAL: SEE PARTS LIST		FINISH: POWDER COAT		COLOR: WHITE	UNITS: INCH
<small>THIS DRAWING IS THE SOLE PROPERTY OF JAYPRO SPORTS INC. AND MAY NOT BE REPRODUCED WITHOUT WRITTEN PERMISSION OR CONSENT</small>					