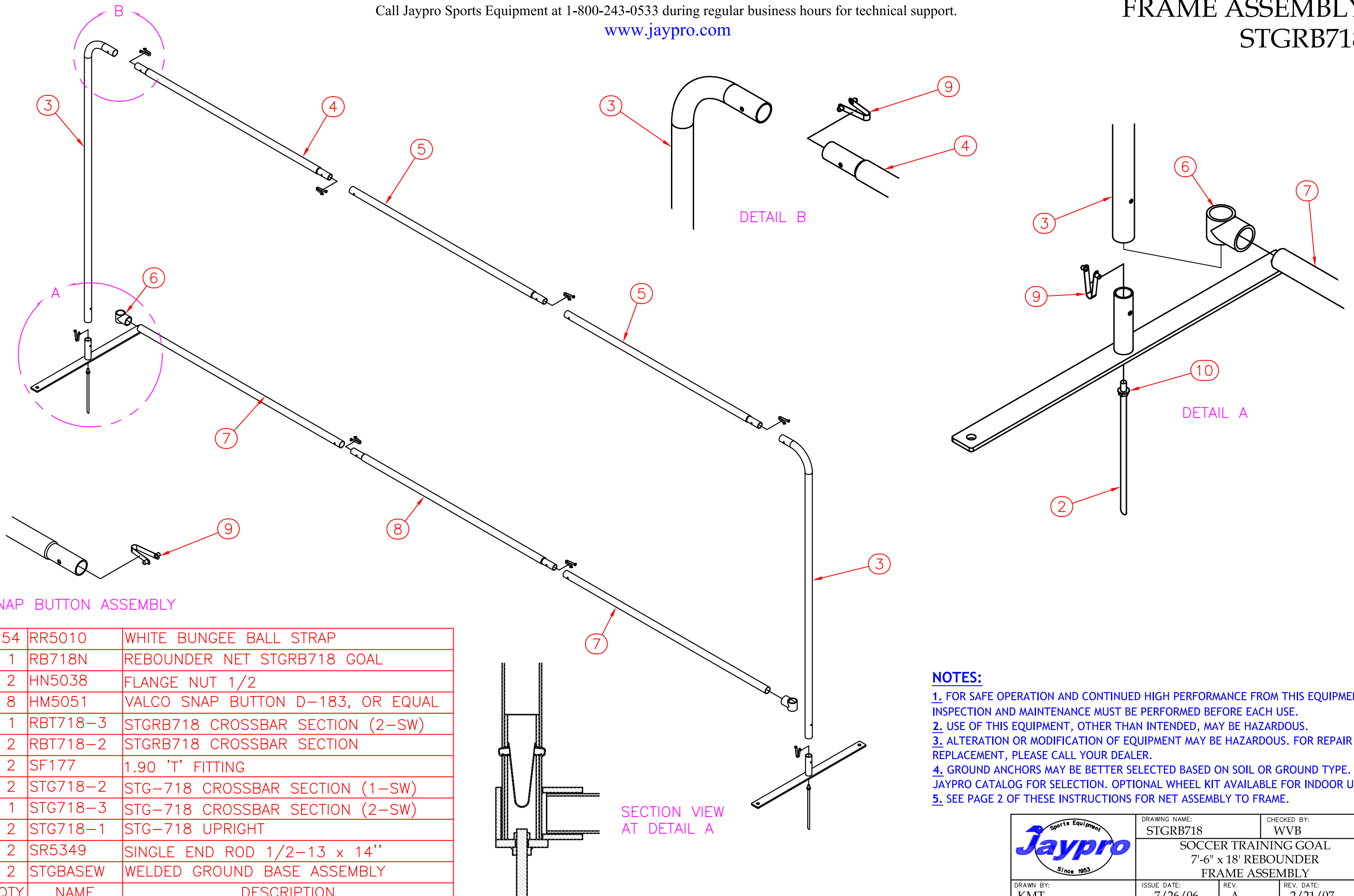


FRAME ASSEMBLY STGRB718



SNAP BUTTON ASSEMBLY

DETAIL B


DETAIL A

SECTION VIEW
AT DETAIL A

NOTES:

1. FOR SAFE OPERATION AND CONTINUED HIGH PERFORMANCE FROM THIS EQUIPMENT, INSPECTION AND MAINTENANCE MUST BE PERFORMED BEFORE EACH USE.
2. USE OF THIS EQUIPMENT, OTHER THAN INTENDED, MAY BE HAZARDOUS.
3. ALTERATION OR MODIFICATION OF EQUIPMENT MAY BE HAZARDOUS. FOR REPAIR OR REPLACEMENT, PLEASE CALL YOUR DEALER.
4. GROUND ANCHORS MAY BE BETTER SELECTED BASED ON SOIL OR GROUND TYPE. SEE JAYPRO CATALOG FOR SELECTION. OPTIONAL WHEEL KIT AVAILABLE FOR INDOOR USE.
5. SEE PAGE 2 OF THESE INSTRUCTIONS FOR NET ASSEMBLY TO FRAME.

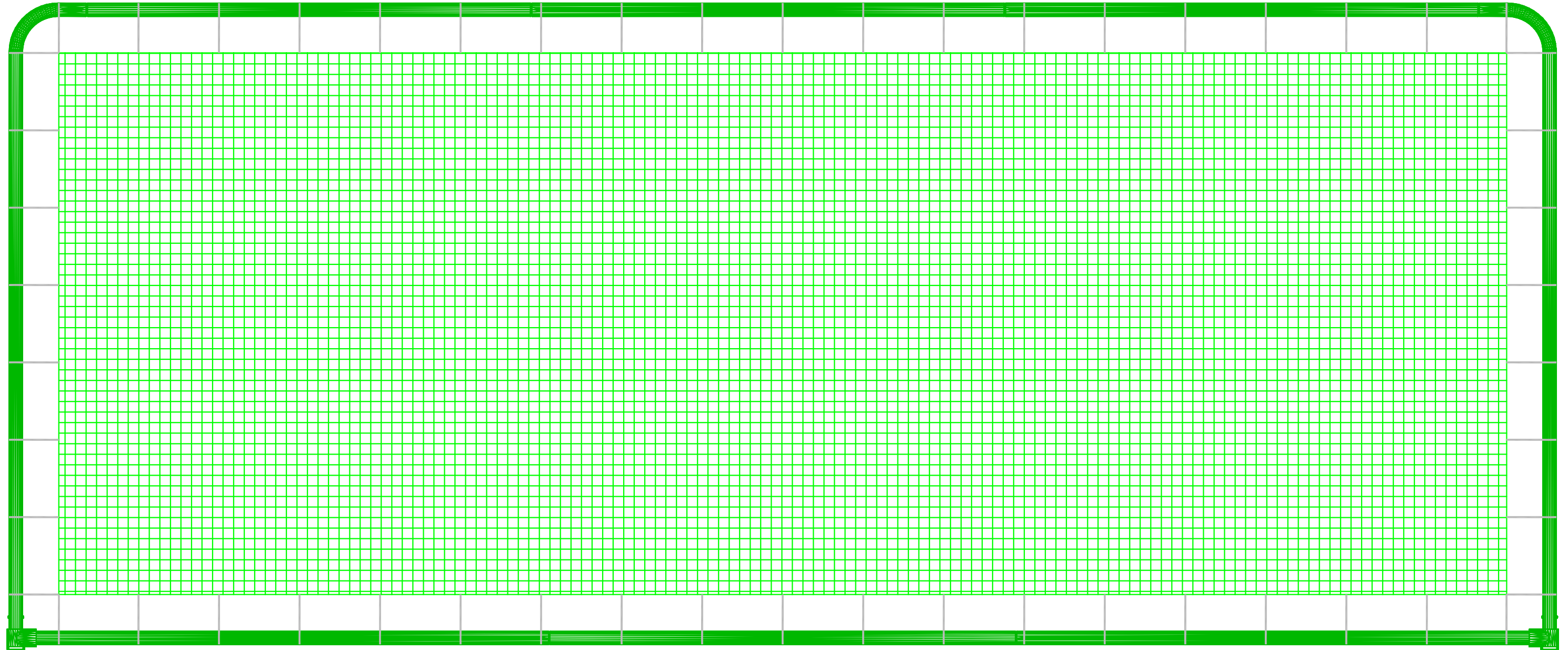
12	54	RR5010	WHITE BUNGEE BALL STRAP
11	1	RB718N	REBOUNDER NET STGRB718 GOAL
10	2	HN5038	FLANGE NUT 1/2
9	8	HM5051	VALCO SNAP BUTTON D-183, OR EQUAL
8	1	RBT718-3	STGRB718 CROSSBAR SECTION (2-SW)
7	2	RBT718-2	STGRB718 CROSSBAR SECTION
6	2	SF177	1.90 'T' FITTING
5	2	STG718-2	STG-718 CROSSBAR SECTION (1-SW)
4	1	STG718-3	STG-718 CROSSBAR SECTION (2-SW)
3	2	STG718-1	STG-718 UPRIGHT
2	2	SR5349	SINGLE END ROD 1/2-13 x 14"
1	2	STGBASEW	WELDED GROUND BASE ASSEMBLY
ITEM	QTY	NAME	DESCRIPTION

	DRAWING NAME: STGRB718	CHECKED BY: WVB	
	SOCCER TRAINING GOAL 7'-6" x 18' REBOUNDER FRAME ASSEMBLY		
DRAWN BY: KMT	ISSUE DATE: 7/26/06	REV. A	REV. DATE: 2/21/07

Call Jaypro Sports Equipment at 1-800-243-0533 during regular business hours for technical support.


www.jaypro.com

NET ASSEMBLY STGRB718



NOTES:

1. SPACE BUNGEEES EVENLY AROUND FRAME.

	DRAWING NAME: STGRB718		CHECKED BY: WVB	
	SOCCER TRAINING GOAL 7'-6" x 18' REBOUNDER NET ASSEMBLY			
DRAWN BY: KMT	ISSUE DATE: 7/26/06	REV. A	REV. DATE: 2/21/07	

ITEM	QTY	NAME	DESCRIPTION
12	54	RR5010	WHITE BUNGEE BALL STRAP
11	1	RB718N	REBOUNDER NET STGRB718 GOAL