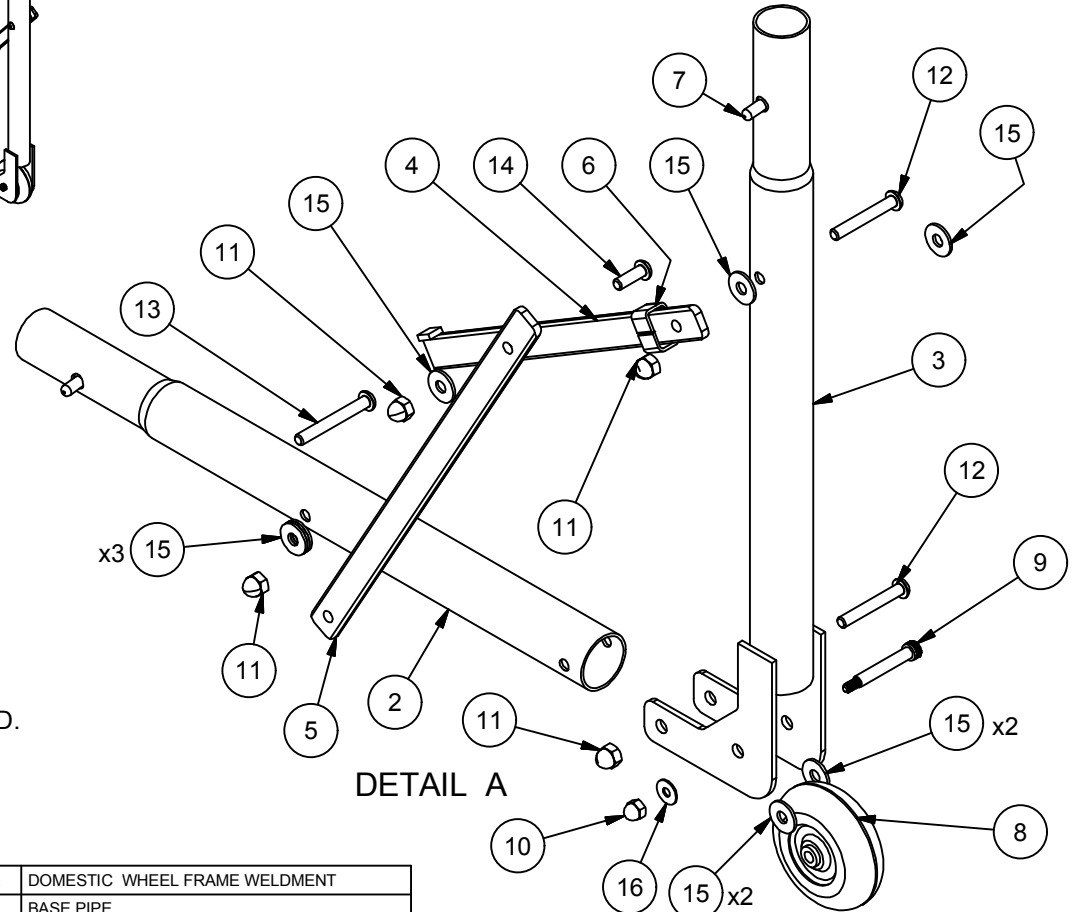


OVERALL DIMENSIONS



DETAIL A

FINISH: ZINC PRIMER OR PLATED

NOTES:

- 1) UNIT TO BE COMPLETELY PRE-ASSEMBLED.
- 2) PRE-INSTALL SNAP BUTTON (ITEM 7) INTO SWAGED END OF PIPE.

9	2	90298A546	1/4" x 1 1/2" SHOULDER SCREW #10-24, SS	1	2	STG-23-A	DOMESTIC WHEEL FRAME WELDMENT
10	2	90507A225	#10-32 SELF-LOCK ACRON NUT, SS	2	2	STG-23-B	BASE PIPE
11	8	HN1232	1/4"-20 SELF-LOCK ACRON NUT, SS	3	2	STG-23-C	WHEEL FRAME WELDMENT
12	4	HS5102	1/4"-20 x 1 3/4" BUTTON HD CAP, SS	4	2	STG-23-E	UPPER REAR BRACE WELDMENT
13	2	HS5164	1/4"-20 x 2" BUTTON HD CAP, SS	5	2	STG-23-F	LOWER REAR BRACE
14	2	HS5198	1/4"-20 x 3/4" BUTTON HD CAP, SS	6	2	STG-46-G	BRACE PLATE LOCK
15	20	HW2093	1/4" FLAT WASHER	7	4	HM2905	SMALL ONE SIDED SNAP BUTTON
16	2	WASHER-B	#10 FLAT WASHER	8	2	WHEEL	ROLLER BLADE WHEELS WITH BEARINGS
ITEM	QTY	PART #	DESCRIPTION	ITEM	QTY	PART #	DESCRIPTION



MODEL NUMBER:	STG-23	CHECKED BY:	WVB
PRODUCT NAME:	FOLDING MULTI-PURPOSE GOAL		
DATE:	6/18/2012	REV:	-
DRAWN BY:	Moune T.		