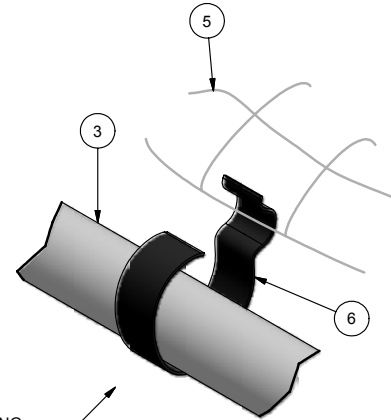
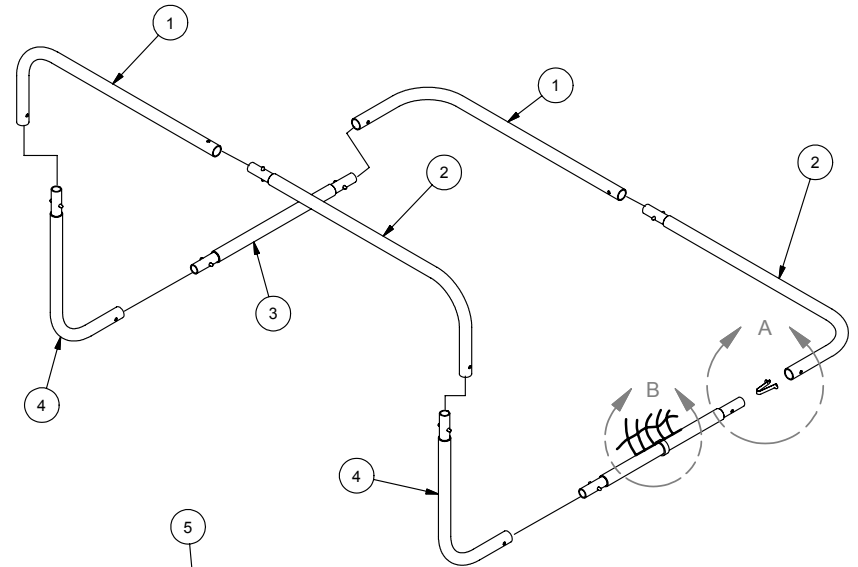


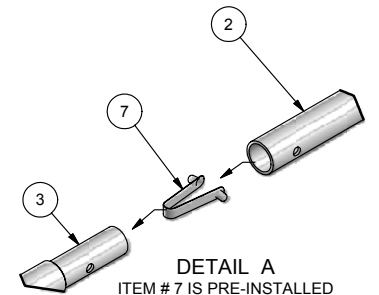
NOTES:
 1. FOR SAFE OPERATION AND CONTINUED HIGH PERFORMANCE FROM THIS EQUIPMENT, INSPECTION AND MAINTENANCE MUST BE PERFORMED BEFORE EACH USE.
 2. USE OF THIS EQUIPMENT, OTHER THAN INTENDED, MAY BE HAZARDOUS.
 3. ALTERATION OR MODIFICATION OF EQUIPMENT MAY BE HAZARDOUS. FOR REPAIR OR REPLACEMENT, PLEASE CALL YOUR DEALER.
 4. GROUND ANCHORS MUST BE SELECTED BASED ON SOIL OR GROUND TYPE. SEE JAYPRO CATALOG FOR SELECTION.

ASSEMBLY INSTRUCTIONS:

1. TO ASSEMBLE SLIDE CROSSBARS OVER SNAP BUTTONS IN UPRIGHTS.
2. TO RELEASE PUSH SNAP BUTTONS IN AND PULL THE CROSSBARS APART AND AWAY FROM THE UPRIGHTS.
3. TO ATTACH NET WRAP VELCRO STRAPS AROUND PIPE AND NET. (SEE DETAIL B)
4. THIS SOCCER GOAL MAY BE UTILIZED AS A 4' x 6' GOAL OR A 3' x 6' GOAL.



TO ASSEMBLE NETTING WRAP THE VELCRO STRAP AROUND THE PIPE AND NET REPEAT PROCESS AROUND ENTIRE PERIMETER OF GOAL



DETAIL A
 ITEM # 7 IS PRE-INSTALLED
 SLIDE PIPES TOGETHER AS SHOWN

| Parts List | | | |
|------------|-----|------------------|---|
| ITEM | QTY | PART NUMBER | DESCRIPTION |
| 1 | 2 | MPG-A | CROSSBAR |
| 2 | 2 | MPG-B | CROSSBAR |
| 3 | 2 | MPG-C | CROSSBAR |
| 4 | 2 | MPG-D | UPRIGHTS |
| 5 | 1 | MPG-46N | NET - ORANGE, 1-3/4" SQ MESH, 2.5 mm TWISTED POLYETHYLENE |
| 6 | 20 | VELCRO NET STRAP | NETING CLOSURE STRAP |
| 7 | 8 | HM5051 | SNAP BUTTON |

THIS DRAWING IS THE SOLE PROPERTY OF JAYPRO SPORTS, INC. AND MAY NOT BE REPRODUCED WITHOUT WRITTEN PERMISSION OR CONSENT.

| | | |
|----------------------------|-------------|------------|
| PROJECTION METHOD: | TOLERANCES: | |
| | 0. = .13 | |
| | 0.0 = .06 | |
| | 0.00 = .03 | |
| UNLESS OTHERWISE SPECIFIED | | |
| TITLE: | INITIALS: | DATE: |
| DESIGNER: | Moune T. | 12/10/2008 |
| CHECKER: | WVB | 12/10/2008 |
| SIZE: | SCALE: | REV.: |
| B | N/A | - |
| DRAWING NAME: | | |
| MULTI SIZE YOUTH GOAL | | |

JAYPRO SPORTS, LLC, 976 HARTFORD TURNPIKE, WATERFORD, CT 06385 USA



PHONE:
 800.243.0533 (TOLL FREE)
 860.447.3001 (LOCAL)

FAX:
 860.444.1779 (SALES)
 860.440.0628 (ENG.)

| | | |
|--------------|-----------------------|--------|
| PART NUMBER: | DRAWING NAME: | SHEET: |
| MPG-46 | MULTI SIZE YOUTH GOAL | 1 OF 1 |