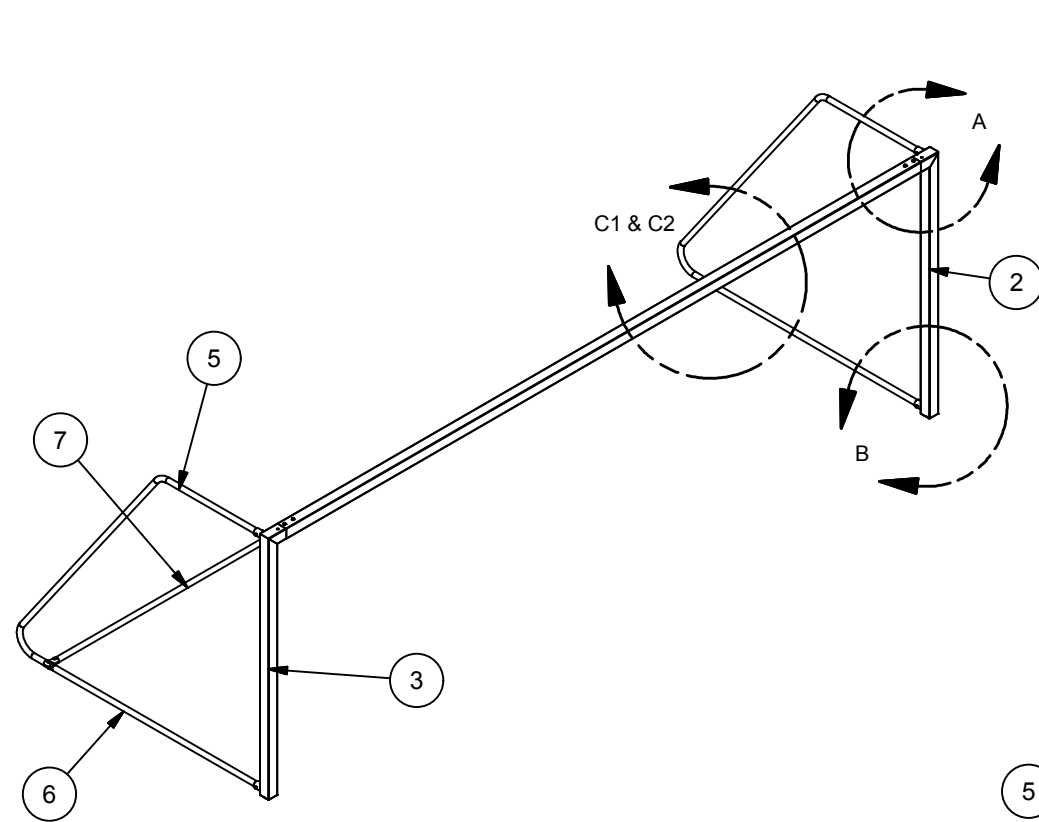


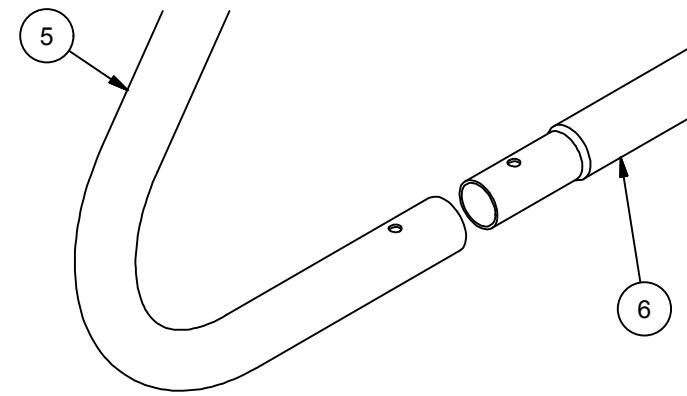
# ASSEMBLY INSTRUCTIONS

- ASSEMBLE GOAL FACE DOWN
- ONCE GOAL IS ASSEMBLED, ATTACH NET USING PLASTIC CLIPS.
- ONCE COMPLETE, STAND GOAL UP.
- LOOK AT INSTALL PAGE FOR FURTHER DETAILS.

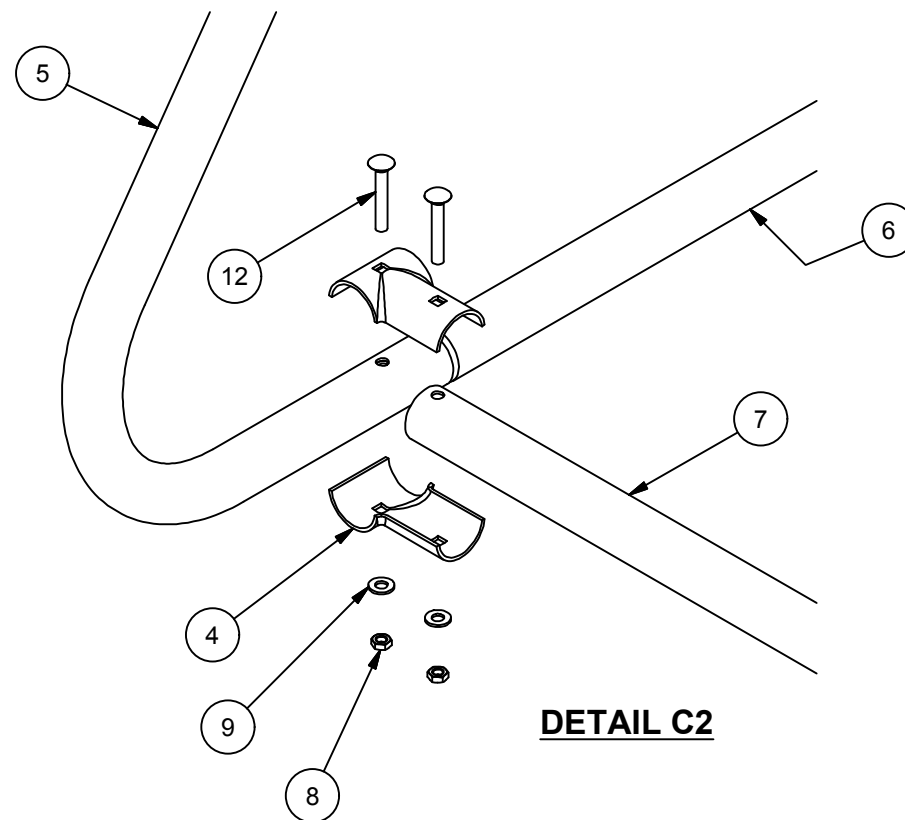


NOTE: PART LIST IS SHOWN BELOW TO ASSEMBLE ONE GOAL

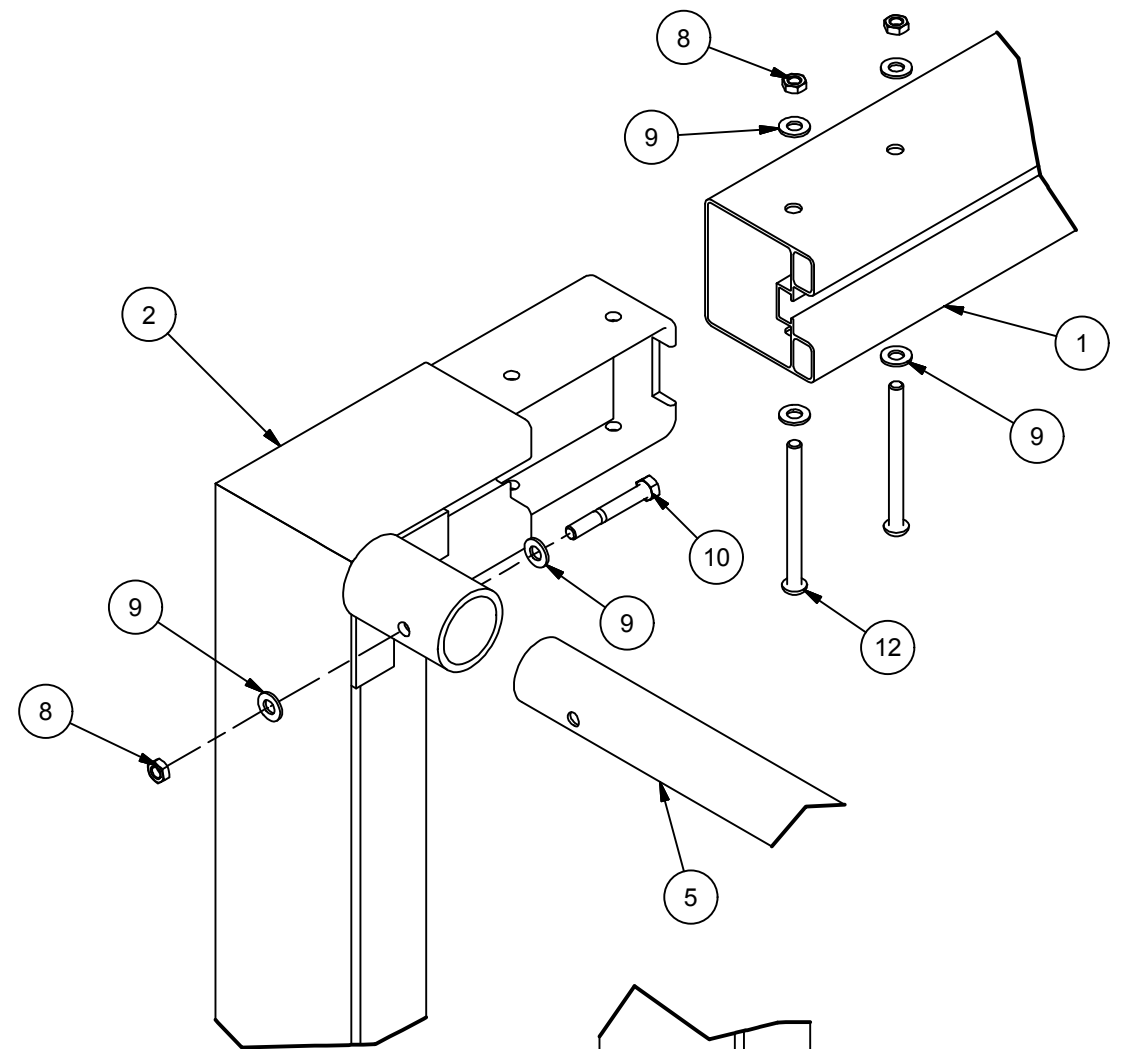
1	1	SG-057X	4" SQUARE XBAR 280 1/2" - SGP-760
2	1	SGP-760USR	RIGHT UPRIGHT 760
3	1	SGP-760USL	LEFT UPRIGHT 760
4	4	SR5418	1.90" CARRIAGE PIPE CLAMP
5	2	SGP-760BS	BACKSTAY FOR SGP-760 & SGP-400
6	2	SG-760C	1.90" BACKSTAY CONNECTOR, x 96 5/8" L
7	1	SG-760RX	1.90" REAR CROSSBAR, x 288" L
8	12	HN1230	3/8"-16 THIN NYLON LOCK NUT NTE, ZP
9	20	HW2047	3/8" SAE FLAT WASHER, ZP
10	4	HS1616	3/8"-16 x 2 3/4" HEX HEAD CAP SCREW, ZP
11	4	HB5038	3/8-16 x 2 1/2 in CARRIAGE BOLT
12	4	HS5173	3/8"-16 x 4 1/2" BUTTON CAP SCREW
13	1	ENC-824	EASY TRACK NET CLIP 100/PKG
ITEM	QTY	PART NUMBER	DESCRIPTION
Parts List			



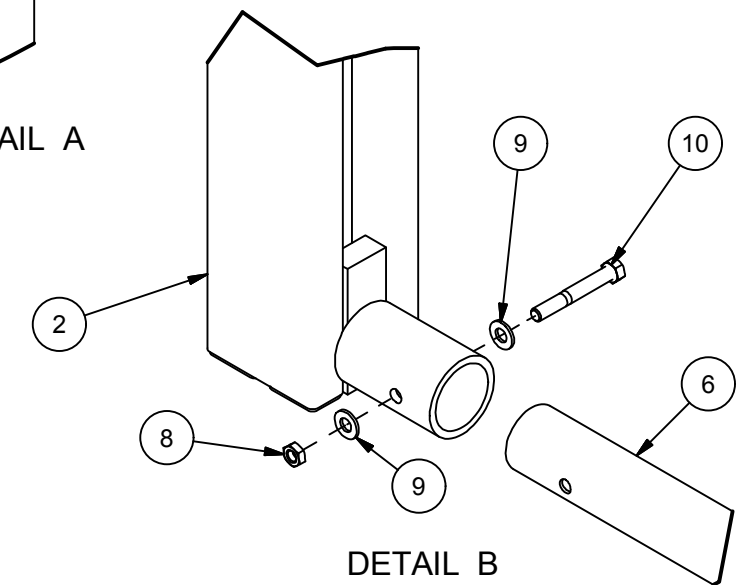
DETAIL C1



DETAIL C2



DETAIL A



DETAIL B

 976 Hartford Turnpike Waterford, CT 06385 USA (800)243-0533 Fax: (800)988-3363 www.jaypro.com	MODEL NUMBER: SGP-760	CHECKED BY: BTS / WVW
	PRODUCT NAME: OFFICIAL PORTABLE SOCCER GOAL	
DATE: 5/1/2013	REV: E	DRAWN BY: DC

# JAYPRO SPORTS

## OFFICIAL PORTABLE SOCCER GOAL, SGP-760

### LIST OF MATERIALS FOR TWO GOALS

<u>ITEM #</u>	<u>PART NO.</u>	<u>DESCRIPTION</u>	<u>QTY</u>
1	SG-057X	4" SQUARE XBAR 280 1/2"	1
2	SGP-760USR	RIGHT UPRIGHT 760	1
3	SGP-760USL	LEFT UPRIGHT 760	1
4	SR5418	1.90" CARRIAGE PIPE CLAMP	4
5	SGP-760BS	BACKSTAY FOR SGP-760 & SGP-400	2
6	SG-760C	1.90" BACKSTAY CONNECTOR, x 96 5/8" L	2
7	SG-760RX	1.90" REAR CROSSBAR, x 288" L	1
8	HN1230	3/8"-16 THIN NYLON LOCK NUT, ZP	12
9	HW2047	3/8" SAE FLAT WASHER, ZP	20
10	HS1616	3/8"-16 x 2 3/4" HEX HEAD CAP SCREW, ZP	4
11	HB5038	3/8"-16 x 2 1/2" CARRIAGE BOLT	4
12	HS5173	3/8"-16 x 4 1/2" BUTTON CAP SCREW	4
13	ENC-824	EASY TRACK NET CLIP 100/PKG	1

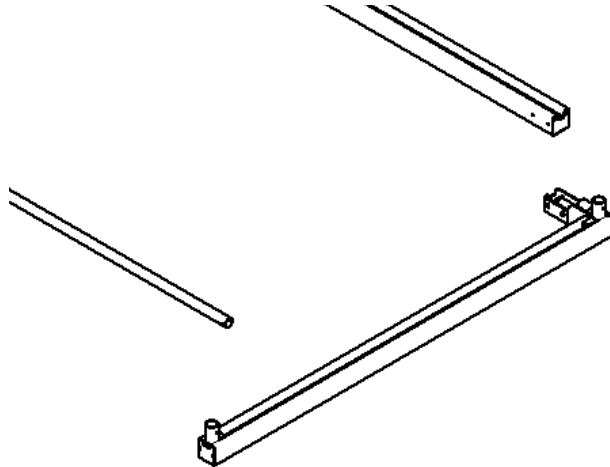
### INSTALLATION AND USE CONSIDERATIONS

- 1) Portability is an important characteristic of this soccer goal and the design and the material that have been selected are intended to enhance the feature. Consequently, **this goal may tip over under certain load conditions, such as high winds or climbing onto the framework. It is highly recommended that this unit be properly anchored for improved stability. If there are any questions please contact Customer Service at (800) 243-0533.**
- 2) The size and weight of this portable soccer goal dictates that **at least four persons are required when carrying this unit.** For best results, tip the goal onto it's face. Position one person at each of the four corners and lift carefully. If the wheel kit option is used, only two persons are needed to move the goal.

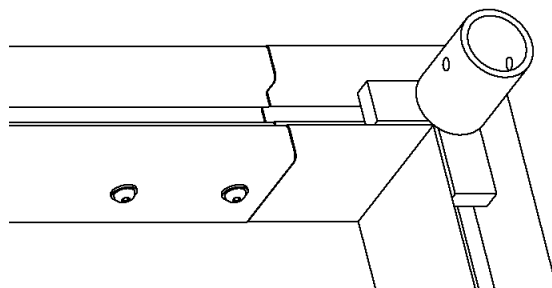
## ASSEMBLY INSTRUCTIONS

**READ ALL DIRECTIONS CAREFULLY BEFORE BEGINNING THE ASSEMBLY.**

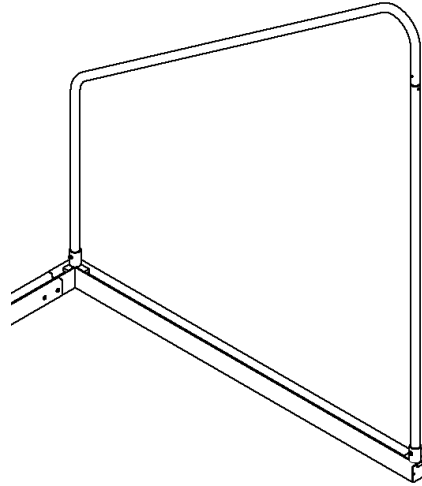
TOOLS REQUIRED: 9/16" Box Wrench or Adjustable Wrench.  
1/2" Box Wrench or Adjustable Wrench.  
7/32" Allen Wrench



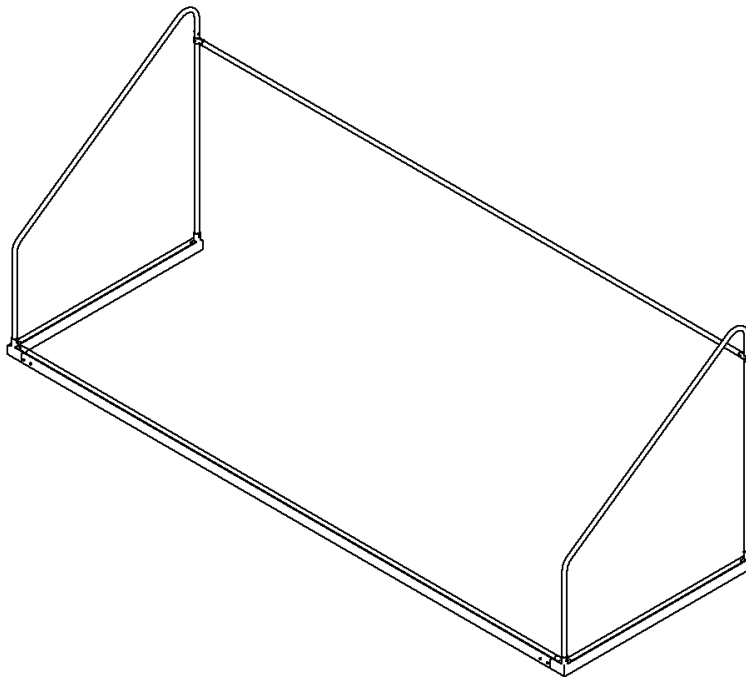
Lay goal components face down in the order they appear on the assembly drawing. This order of construction will make the construction of the goal safe and efficient. Make sure that you have all of the pieces listed on the assembly instructions.



Slide corners into uprights and crossbars. Attach hardware as shown in assembly drawing.



Insert backstays into hubs. Use hardware detailed on assembly instructions.



Attach rear crossbar into tee fittings on backstays. Use hardware detailed on assembly drawing. Now tighten all hardware. With goal in the face down position attach the net using the “*Easy Clip*” net attachment system. If the net is installed in this position, there is no need to climb a ladder and attach netting. Once complete, move the goal into the playing position. **Repeat for the other side.**

### **IMPORTANT NOTICE**

The United States consumer product safety commission has adopted and published “*Guidelines For Movable Soccer Goal Safety*”. These guidelines offer information on the installation, use, and storage of full-size portable soccer goals and through these guidelines; it is the commission’s intent to help prevent serious injuries or death resulting from accidental soccer goal tip over.

Securely anchoring portable soccer goals, at all times, is one important and effective way to improve soccer goal safety. The proper selection of appropriate anchoring devices is dependent upon a number of factors and is unique to individual circumstances. Key elements to consider are:

- 1) Goal weight, inherent stability and type of construction;
- 2) Local field conditions and soil moisture content;
- 3) Expected usage level and overall degree of field supervision;
- 4) The need to relocate or remove the goal on a regular or continuing basis.

As a charter member of the **Coalition To Promote Soccer Goal Safety**, *Jaypro* endorses the efforts of the commission and others in this cause. Our trained sales staff is available to discuss the variety of goal anchors that we offer and to help you in making the best choice for your individual application.