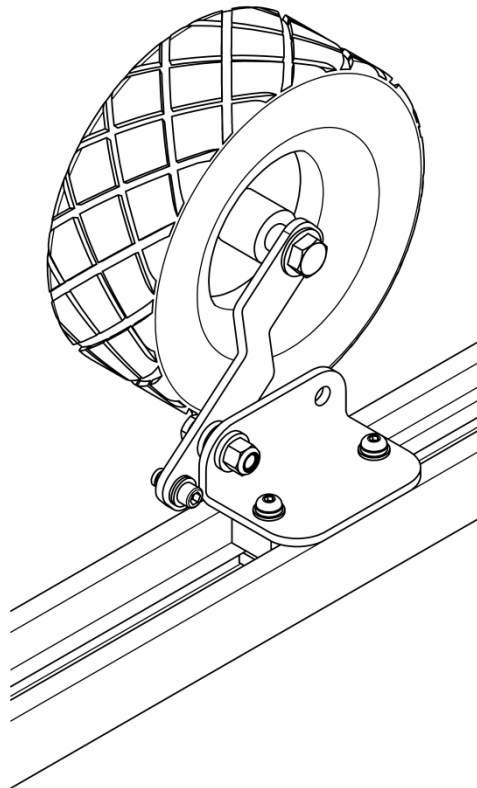




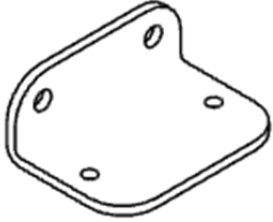

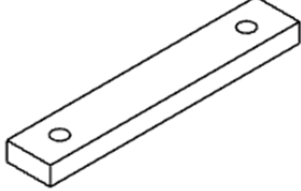
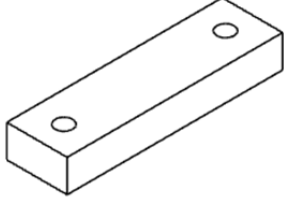
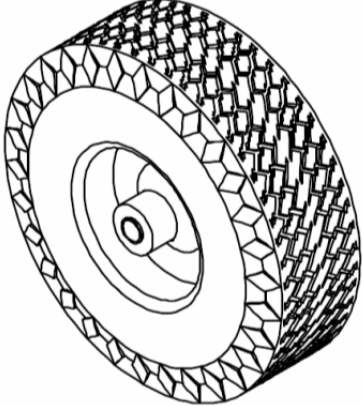
-- NSGWK--
(NOVA STYLE GOAL WHEEL KIT)
Installation Instructions


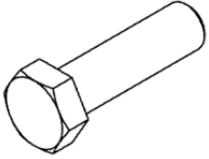
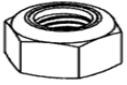

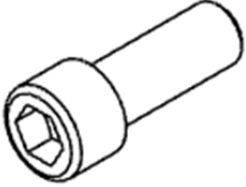


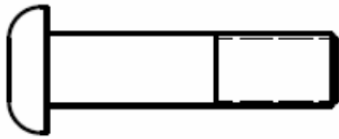



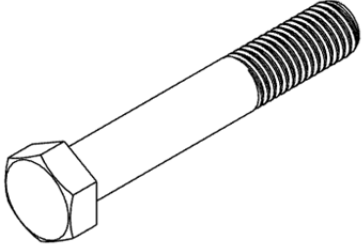

Call Jaypro Sports Equipment at 1-800-243-0533 during regular business hours for technical support.

www.jaypro.com

NSGWK
(NOVA STYLE GOAL WHEEL KIT)

ITEM	IMAGE	DESCRIPTION	QTY
1		SG WHEEL KIT MOUNT	4
2		KIT LEVER	4
3		5" LONG NUT BAR	4
4		5" LONG SPACER BLOCK	4
5		10" x 4" NO FLAT WHEEL	4
ITEM	IMAGE	DESCRIPTION	QTY

ITEM	IMAGE	DESCRIPTION	QTY
6		5/8" WASHER, SS	12
7		1/2"-13 x 1-1/2" HX HD CAP SC, SS	4
8		1/2"-13 NYLON LOCK NUT, SS	4
9		1/2" FLAT WASHER, SS	12
10		3/8"-16 x 1" HEX SOCKET HEAD, SS	4
11		3/8"-16 NYLON LOCK NUT, SS	4
12		3/8" FLAT SAE, SS	16
13		3/8"-16 x 1-3/4" BUTTON HEAD, SS	8
14		3/8" MEDIUM SPLIT LOCK WASHER, SS	8
ITEM	IMAGE	DESCRIPTION	QTY

ITEM	IMAGE	DESCRIPTION	QTY
15		5/8"-11 x 3-1/2" HEX HD BOLT, SS	4
16		5/8"-11 THIN NYLON LOCK NUT, SS	4
ITEM	IMAGE	DESCRIPTION	QTY

- Unpack all parts and check against parts list to ensure that all have been included.
- Inspect all parts for damage. Report any damages to the trucking company.

IMPORTANT NOTE:

- Two people are required to safely move any portable soccer goal.
- The NSGWK wheel kit is designed to attach to the base members on either side of the goal.
- The wheel kit may be located at the rear of the goal or front of the goal, as desired. Locating the wheels at the rear requires lifting the front of the goal to move.
- Four wheels, NSGWK wheel kits, may be install to eliminate lifting all together.

IMPORTANT NOTICE:

- 1) BEFORE EACH USE CHECK EQUIPMENT FOR PROPER CONNECTING HARDWARE AND STRUCTURAL INTEGRITY. REPLACE DAMAGED OR MISSING HARDWARE IMMEDIATELY.
- 2) USE OF THIS EQUIPMENT OTHER THAN INTENDED, MAY BE HAZARDOUS.
- 3) ALTERATION OR MODIFICATION OF THIS EQUIPMENT MAY BE HAZARDOUS AND RESULT IN INJURY. FOR REPAIR OR REPLACEMENT, CONTACT YOUR DEALER OR JAYPRO SPORTS.

*** ASSEMBLY INSTRUCTIONS REQUIRES 3 PEOPLE ***

TOOLS REQUIRED:

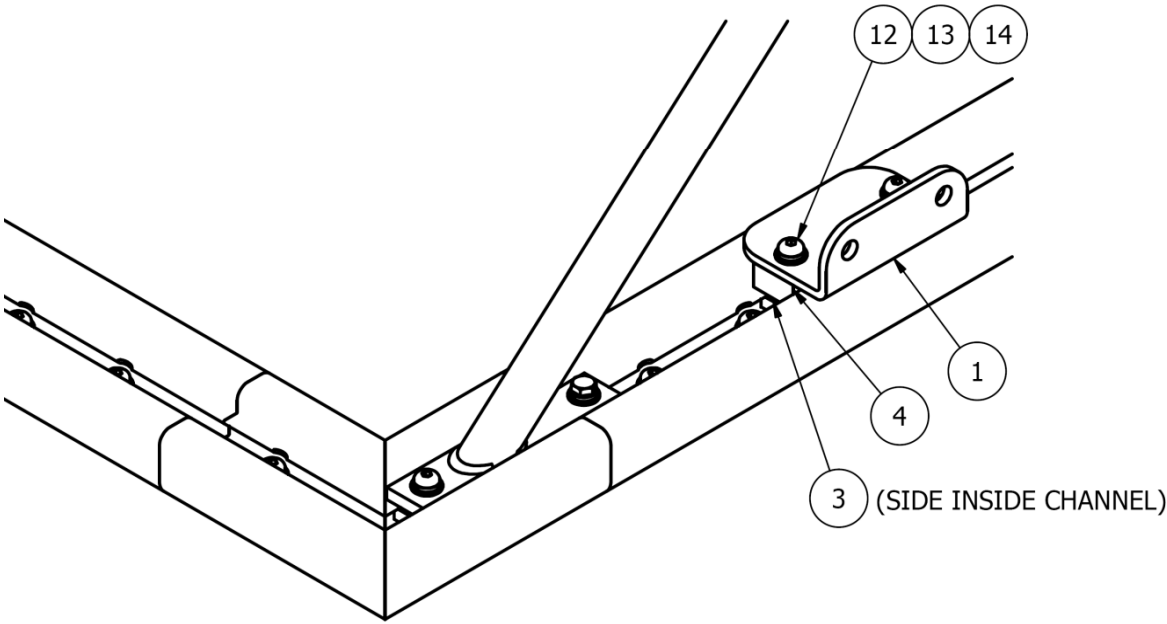
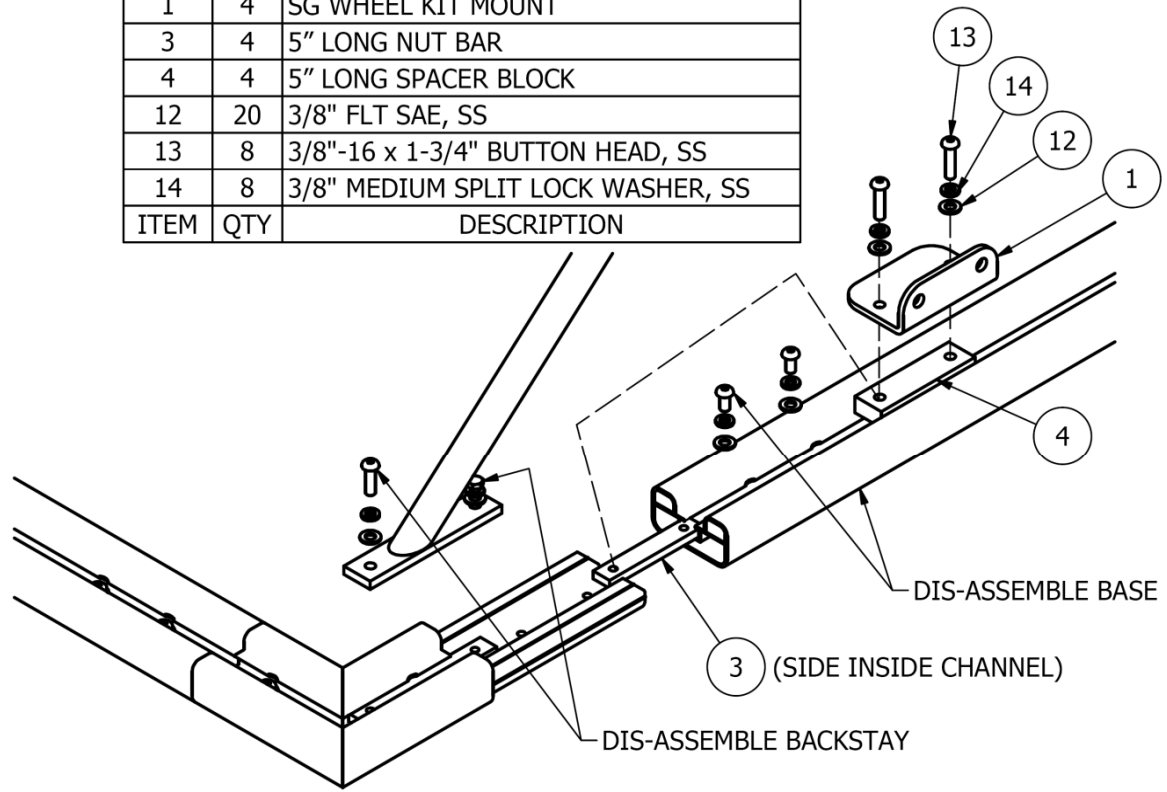
- (1) Socket Wrench and Box Wrench
- (1) 7/32" Allen Wrench

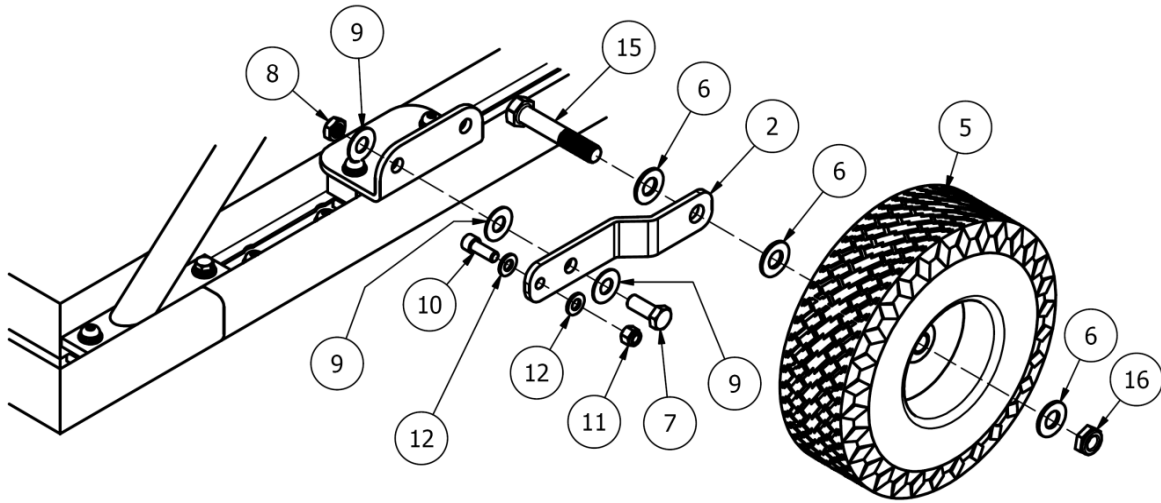
- Unpack all parts and check against parts list to ensure that all have been included.
- Inspect all parts for damage. Report any damages to the trucking company.

Front Goal Face Assembly:

1. Insert item #3 into the channel of the soccer base.
2. Place item #4 on top of the channel of the soccer base.
3. Assemble wheel on to item #2 with 5/8" hardware.
4. Install 3/8" plate stop hardware.
5. Attach item #2 on to item #1, critical to note the orientation of the hole in item #1.
6. Assemble item #1 on to item #4 with 3/8" hardware.

1	4	SG WHEEL KIT MOUNT
3	4	5" LONG NUT BAR
4	4	5" LONG SPACER BLOCK
12	20	3/8" FLT SAE, SS
13	8	3/8"-16 x 1-3/4" BUTTON HEAD, SS
14	8	3/8" MEDIUM SPLIT LOCK WASHER, SS
ITEM	QTY	DESCRIPTION





ITEM	QTY	DESCRIPTION
2	4	SG WHEEL KIT LEVER
5	4	10" x 4" NO FLAT WHEEL
6	12	5/8" FLAT WASHER, SS
7	4	1/2"-13 x 1-1/2" HX HD CAP SC, SS
8	4	1/2"-13 NYLON LOCK NUT, SS
9	12	1/2" FLAT WASHER, SS
10	4	3/8"-16 x 1" HEX SOCKET HEAD, SS
11	4	3/8"-16 NYLON LOCK NUT, SS
12	16	3/8" FLAT SAE, SS
15	4	5/8"-11 x 3-1/2" HEX HD BOLT, SS
16	4	5/8"-11 THIN NYLON LOCK NUT, SS

